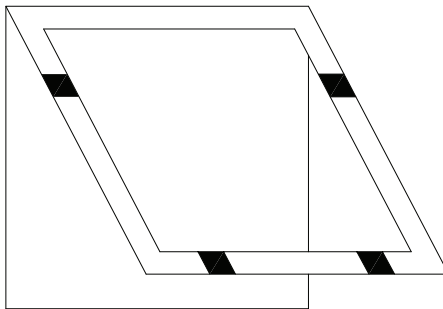
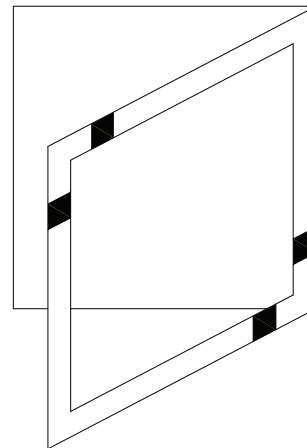


Glazing Details

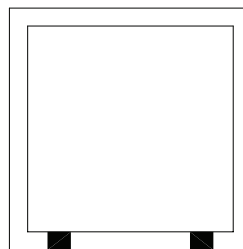
Awning Window -
Glazing Block Locations



Casement Window -
Glazing Block Locations



Fixed Window -
Glazing Block Locations



Check and ensure frame is square. Run glazing tape around the full perimeter of glazing leg.

Position glazing blocks to be either length/8 or 150mm whichever ever greater and locate glass ensuring alignment to provide equal cover on all sides.

Then block glass as shown ensuring sash is square.

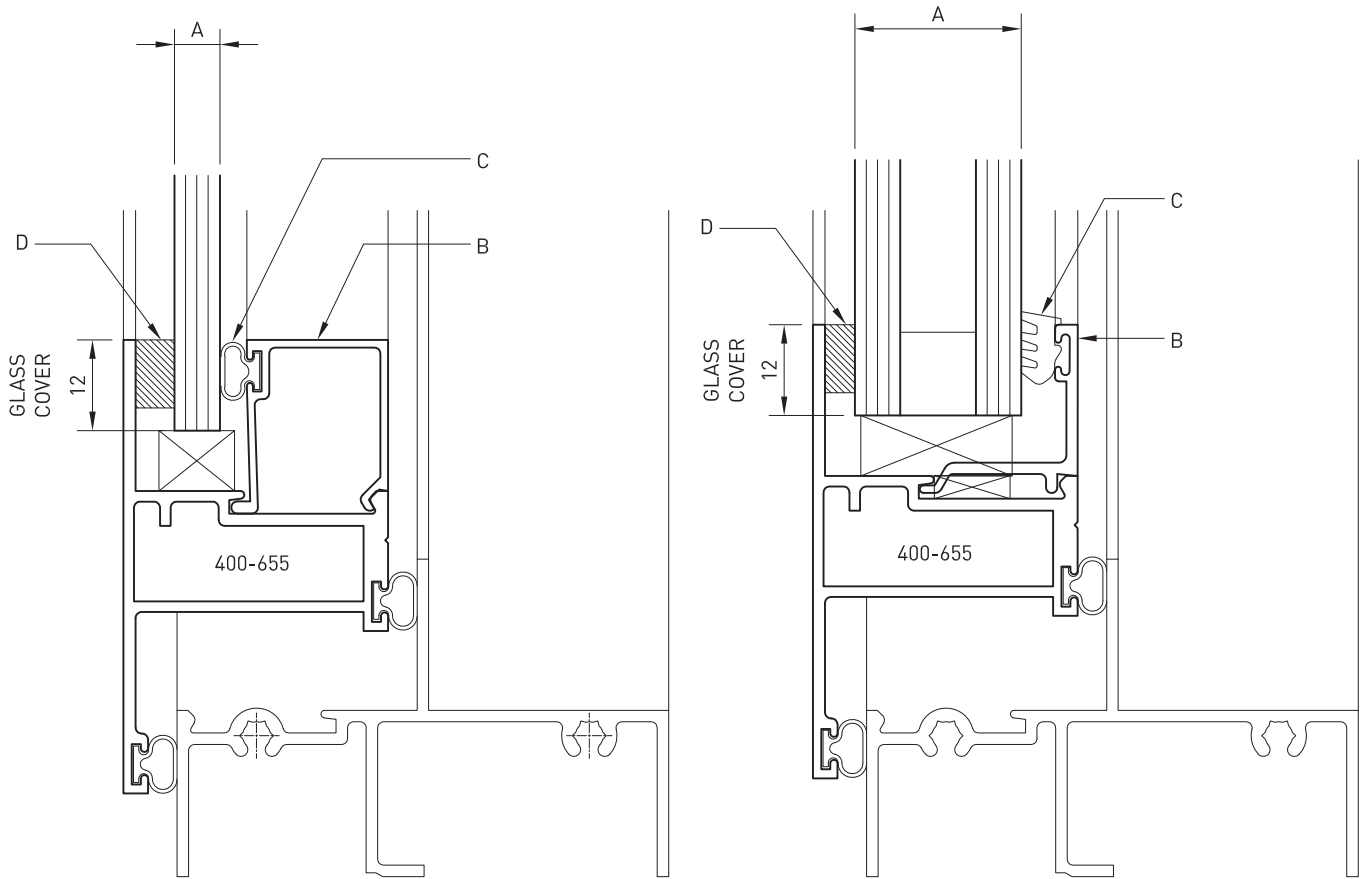
Notch beads where required to clear glazing blocks.

Clip horizontal glazing beads in first then the vertical beads.

Notes: Glazing blocks length must be 25mm per meter square with a minimum 25mm.

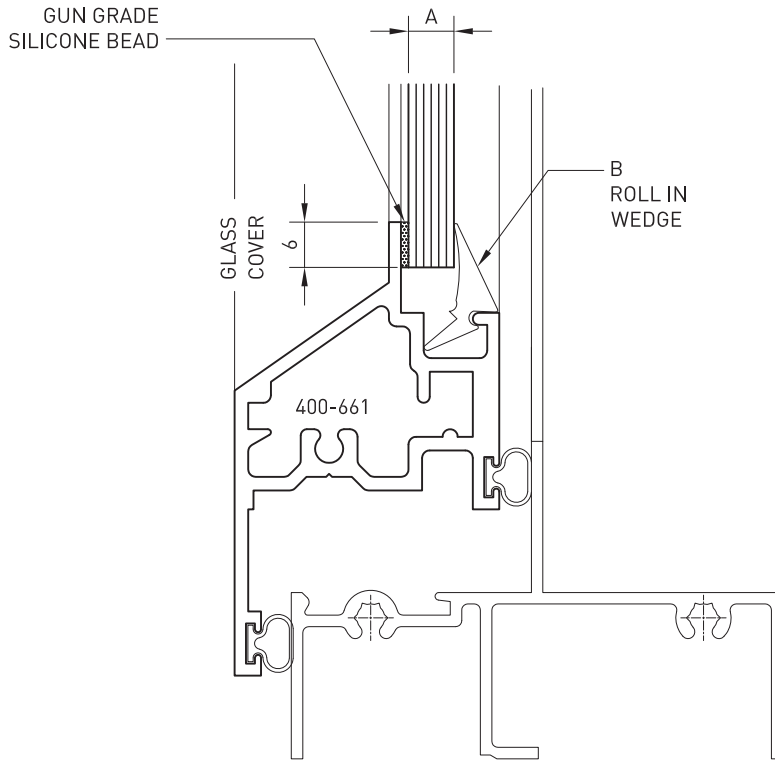
For glazing tape and wedge selection, refer to the following tables.

Glazing Details



A (Glass Thickness)	B (Bead)	C (Glazing Wedge)	D (Glazing Tape)
4mm	400-653	02-082	6.4x9mm
5mm	400-653	02-082	4.8x9mm
6mm/6.38mm	400-653	02-082	4.8x9mm
8mm	400-654	02-082	6.4x9mm
10mm	400-654	02-082	4.8x9mm
18mm	400-447	04-118	3.2x9mm
22mm	400-405	04-108	3.2x9mm

Glazing Details



A (Glass Thickness)	B (Glazing Wedge)	Material
5mm-6.38mm	04-234	PVC

Assemble sash in the horizontal plane, with the wedge face up, ensuring the assembly is square.

Gun a small continuous bead of silicone sealant against the glazing leg.

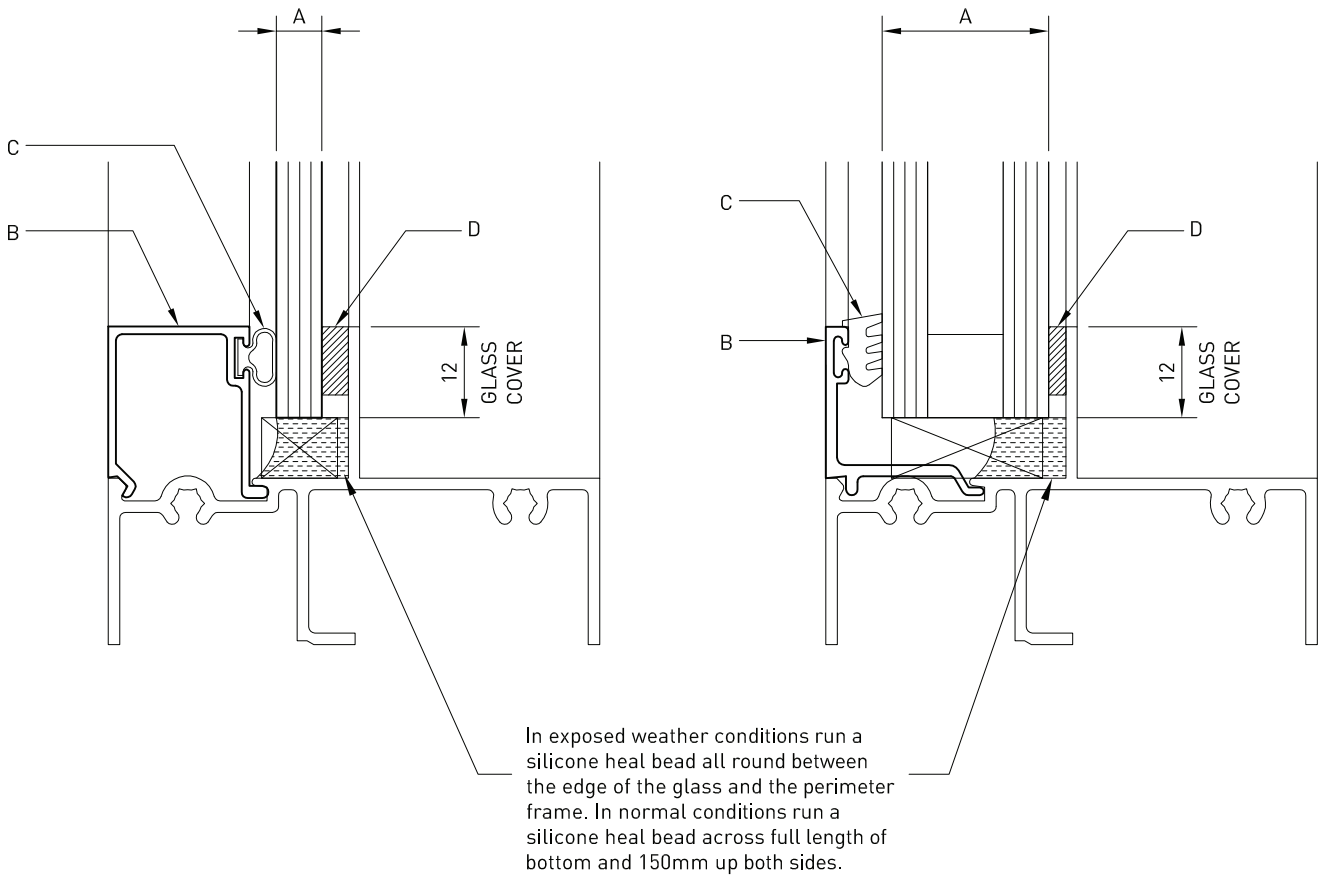
Position the glass into the rebate against the silicone, ensuring that similar edge clearance is maintained all round the glass.

Roll in wedge ensuring that corners meet firmly.

Handle gently and carefully. Lay sash down with pvc wedge face up, to ensure pressure on silicone bead, to allow silicone to cure.

Do not transport vertically for 12 hours after glazing.

Glazing Details



A (Glass Thickness)	B (Bead)	C (Glazing Wedge)	D (Glazing Tape)
4mm	400-653	02-082	4.8x9mm
5mm	400-653	02-082	4.8x9mm
6mm/6.38mm	400-653	02-082	3.2x9mm
8mm	400-654	02-082	4.8x9mm
10mm	400-654	02-082	3.2x9mm
18mm	400-447	04-118	1.6x9mm
22mm	400-405	04-108	1.6x9mm

Notes: The system is not recommended for internal glazing. Heat bead must be applied to all four sides if internal glazing used. A minimum of 15% compression is required when using bulb seal. Outside glazing does not need heat bead unless extreme conditions.