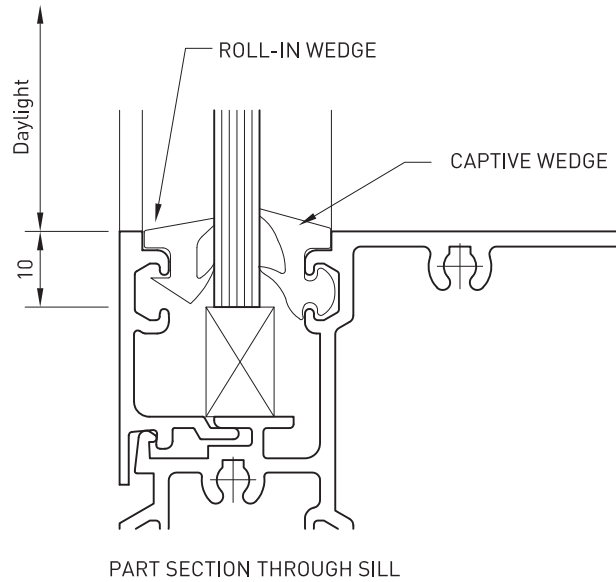


Glazing Details



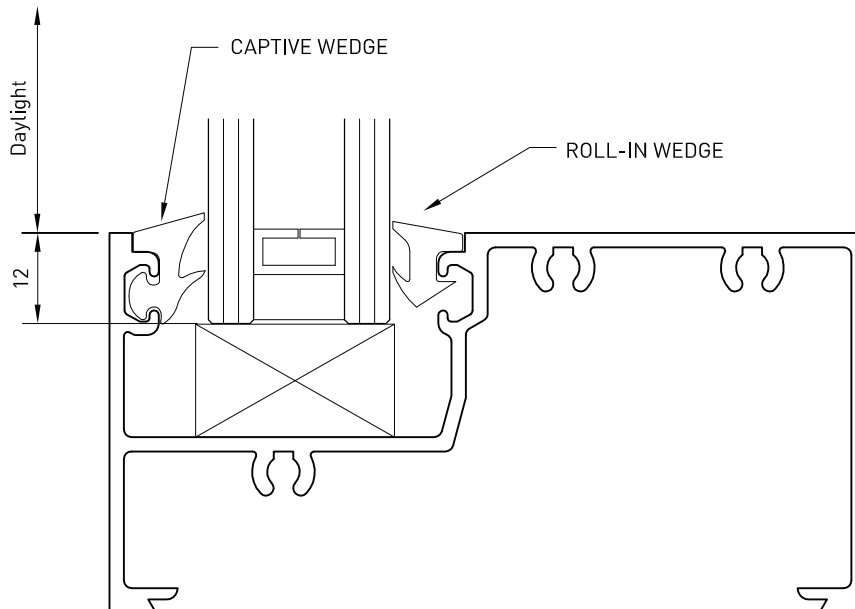
| Glass Thickness | Roll-in Wedge | Captive Wedge | Material |
|-----------------|---------------|---------------|----------|
| 5mm | 04-235E | 04-223E | EPDM |
| 6mm/6.38mm | 04-224E | 04-223E | EPDM |
| | 04-224 | 04-223 | PVC |
| 8mm | 04-235E | 04-222E | EPDM |
| 10mm | 04-224E | 04-222E | EPDM |
| | 04-224 | 04-222 | PVC |

Notes:

Due to tolerances on glass, metal and glazing materials, these recommendations should be taken as an indicative guide only and should be verified by test glazing.

EPDM Material is recommended for high rise building.

Glazing Details



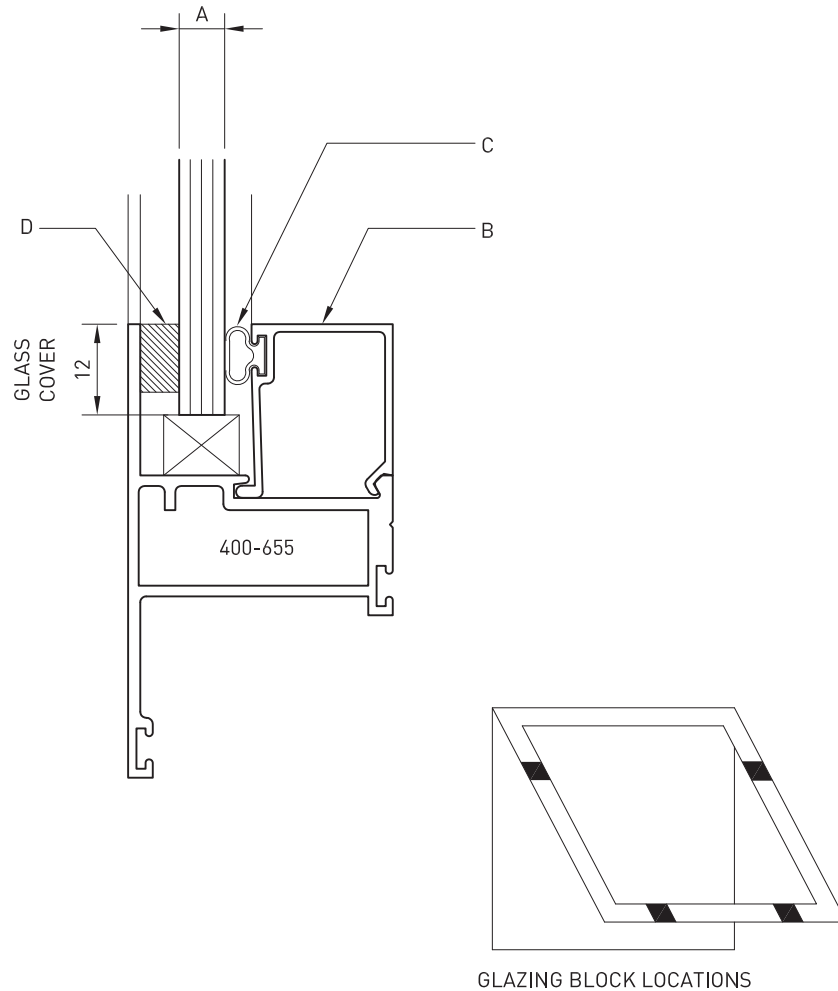
| Glass Thickness | Roll-in Wedge | Captive Wedge | Material |
|-----------------|---------------|---------------|----------|
| 24mm | 04-235E | 04-223E | EPDM |
| 25mm | 04-224E | 04-223E | EPDM |
| | 04-224 | 04-223 | PVC |
| 28mm | 04-230E | 04-222E | EPDM |
| 30mm | 04-233E | 04-222E | EPDM |
| | 04-233 | 04-222 | PVC |

Notes:

Due to tolerances on glass, metal and glazing materials, these recommendations should be taken as an indicative guide only and should be verified by test glazing.

EPDM Material is recommended for high rise building.

Glazing Details

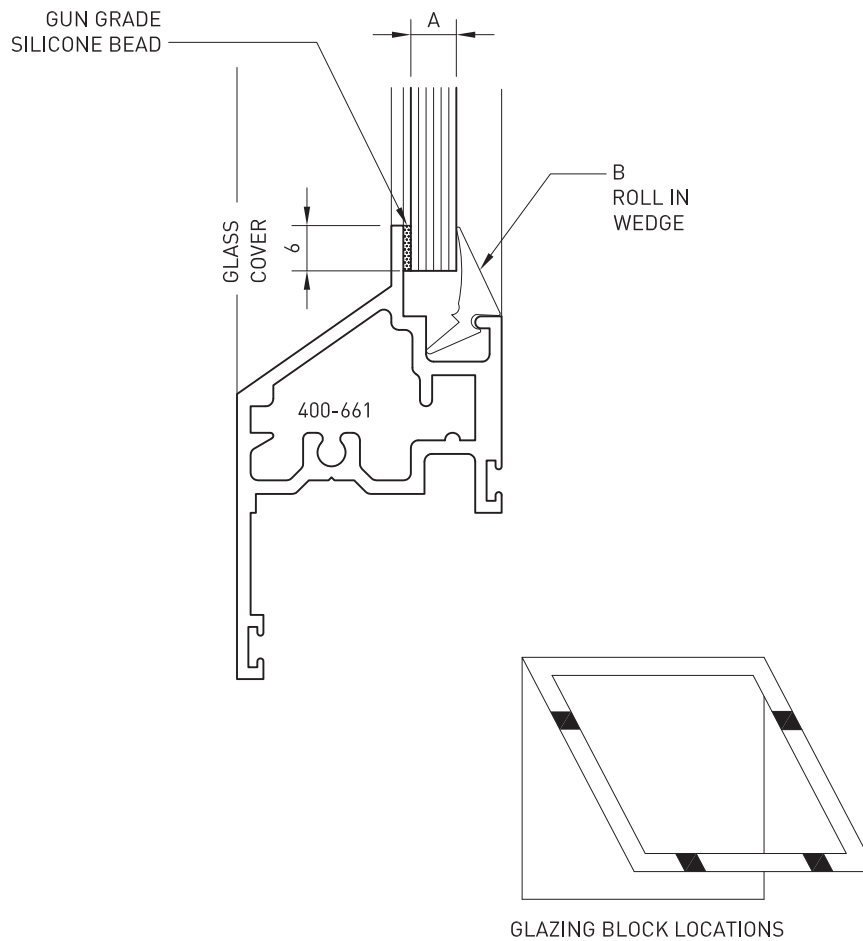


| A (Glass Thickness) | B (Bead) | C (Glazing Wedge) | D (Glazing Tape) |
|---------------------|----------|-------------------|------------------|
| 4mm | 400-653 | 02-082 | 6.4x9mm |
| 5mm | 400-653 | 02-082 | 4.8x9mm |
| 6mm/6.38mm | 400-653 | 02-082 | 4.8x9mm |
| 8mm | 400-654 | 02-082 | 6.4x9mm |
| 10mm | 400-654 | 02-082 | 4.8x9mm |

Notes:

Due to tolerances on glass, metal and glazing materials, these recommendations should be taken as an indicative guide only and should be verified by test glazing.

Glazing Details

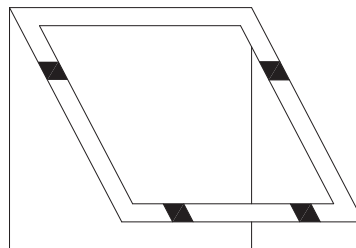
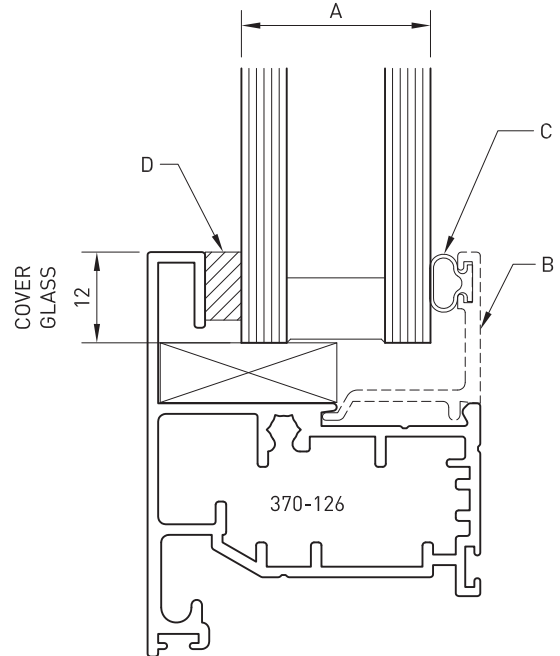
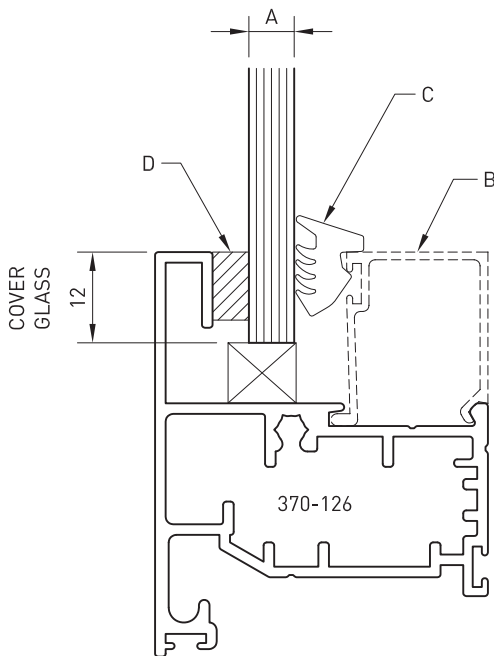


| A (Glass Thickness) | B (Glazing Wedge) | Material |
|---------------------|-------------------|----------|
| 5mm-6.38mm | 04-234 | PVC |

Notes:

Due to tolerances on glass, metal and glazing materials, these recommendations should be taken as an indicative guide only and should be verified by test glazing.

Glazing Details



GLAZING BLOCK LOCATIONS

| A (Glass Thickness) | B (Bead) | C (Glazing Wedge) | D (Glazing Tape) |
|---------------------|----------|-------------------|------------------|
| 5mm | 400-653 | 04-142 | 6.4x9mm |
| 6mm/6.38mm | 400-653 | 04-108 | 4.8x9mm |
| 8mm | 400-653 | 04-142 | 1.6x9mm |
| 10mm | 400-653 | 04-108 | 1.6x9mm |
| 20mm | 400-447 | 04-116 | 1.6x9mm |
| 25mm | 400-405 | 02-082 | 4.8x9mm |

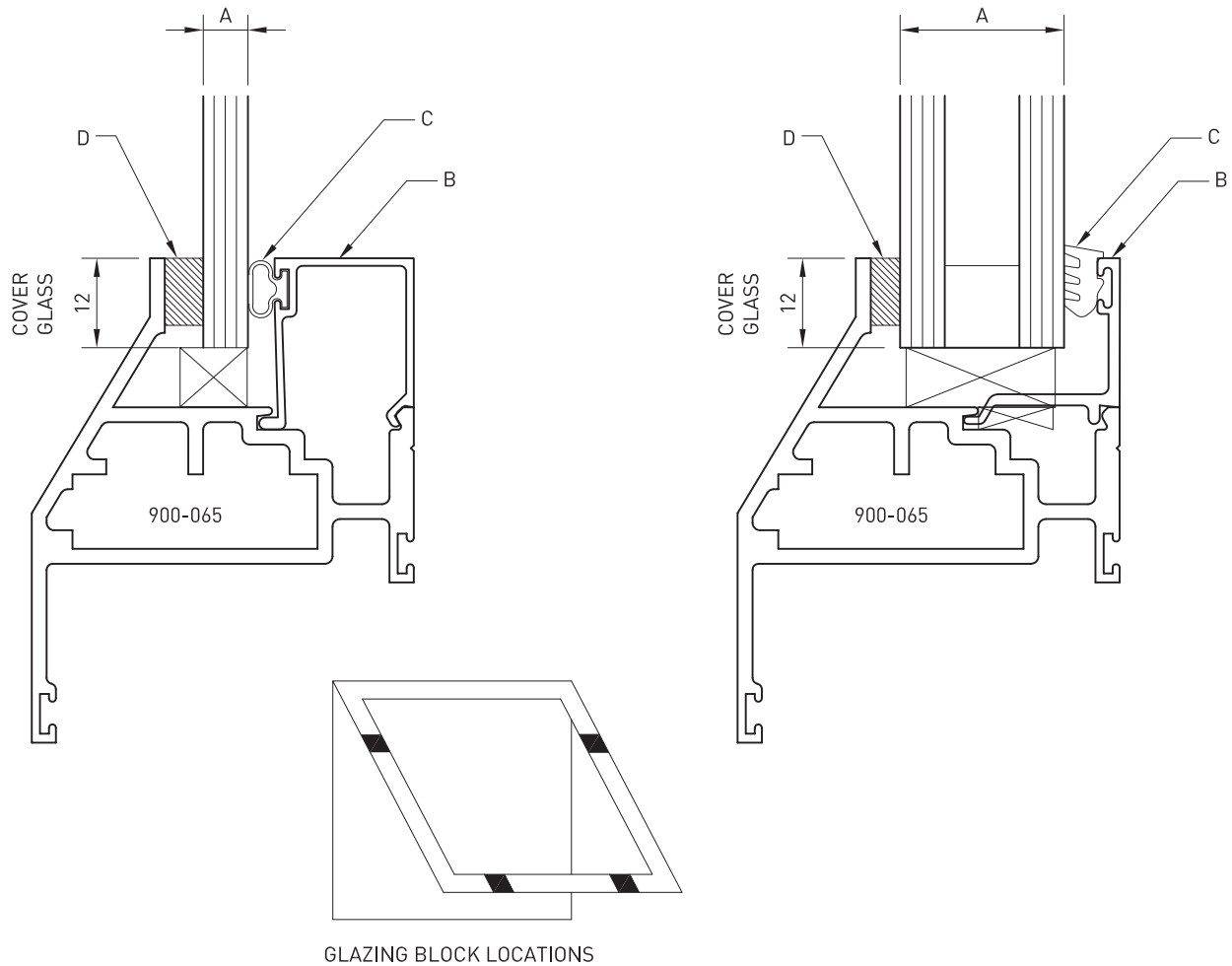
Notes:

Due to tolerances on glass, metal and glazing materials, these recommendations should be taken as an indicative guide only and should be verified by test glazing.

COMMERCIAL RANGE 715 SYSTEM

Emporia™ 100mm/150mm Faced Glazed

Glazing Details

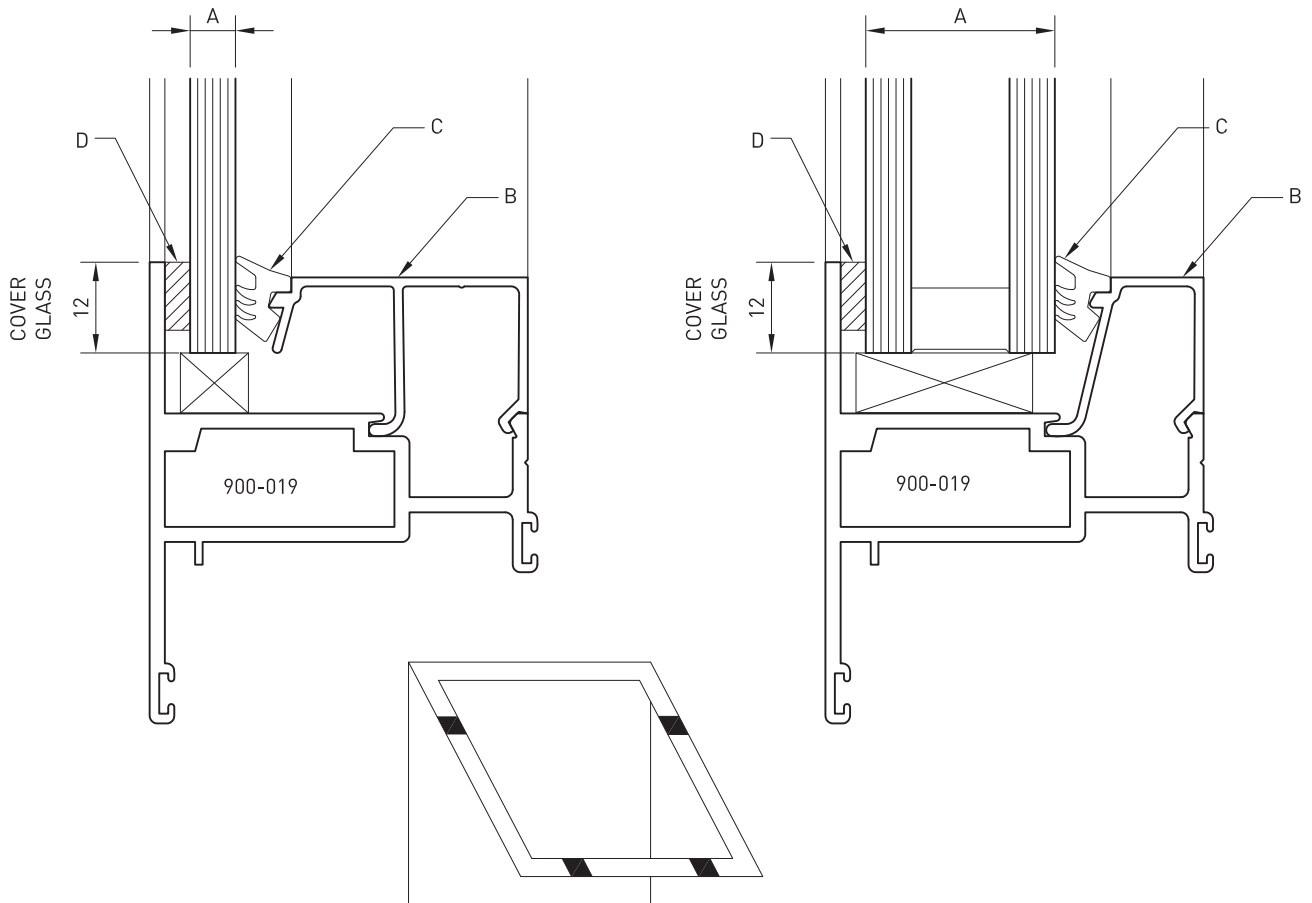


| A (Glass Thickness) | B (Bead) | C (Roll-in Wedge) | D (Glazing Tape) |
|---------------------|----------|-------------------|------------------|
| 4mm | 400-653 | 02-082 | 6.4x9mm |
| 5mm | 400-653 | 02-082 | 4.8x9mm |
| 6mm/6.38mm | 400-653 | 02-082 | 4.8x9mm |
| 8mm | 400-654 | 02-082 | 6.4x9mm |
| 10mm | 400-654 | 02-082 | 4.8x9mm |
| 18mm | 400-447 | 04-118 | 3.2x9mm |
| 22mm | 400-405 | 04-108 | 3.2x9mm |

Notes:

Due to tolerances on glass, metal and glazing materials, these recommendations should be taken as an indicative guide only and should be verified by test glazing.

Glazing Details



GLAZING BLOCK LOCATIONS

| A (Glass Thickness) | B (Bead) | C (Roll-in Wedge) | D (Glazing Tape) |
|---------------------|----------|-------------------|------------------|
| 5mm | 900-004 | 04-108 | 3.2x9mm |
| 6mm/6.38mm | 900-004 | 04-108 | 3.2x9mm |
| 10mm | 900-021 | 04-108 | 3.2x9mm |
| 25mm | 900-008 | 04-108 | 3.2x9mm |

Notes:

Due to tolerances on glass, metal and glazing materials, these recommendations should be taken as an indicative guide only and should be verified by test glazing.