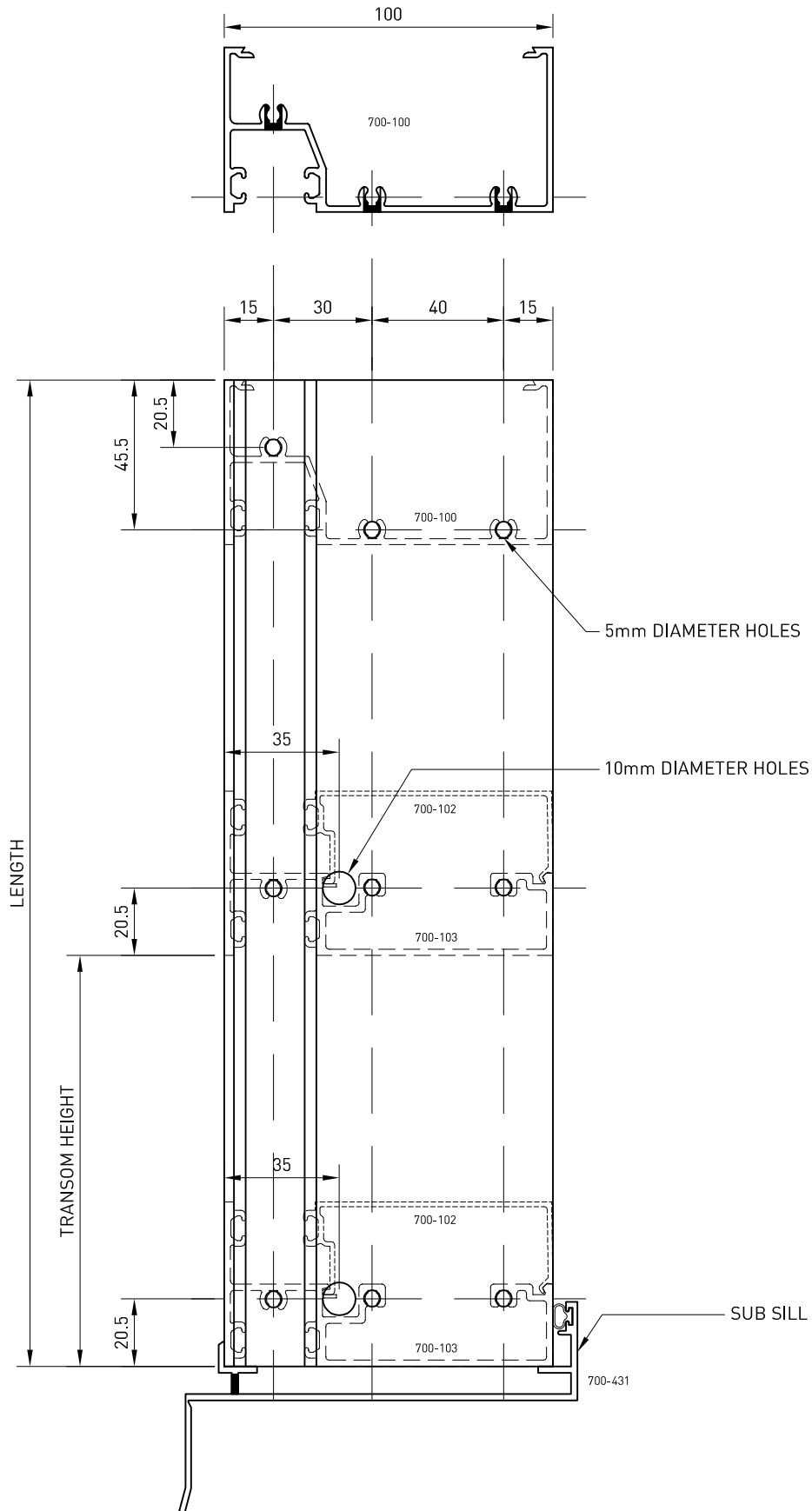


LH DRAWN  
 R.H OPPOSITE

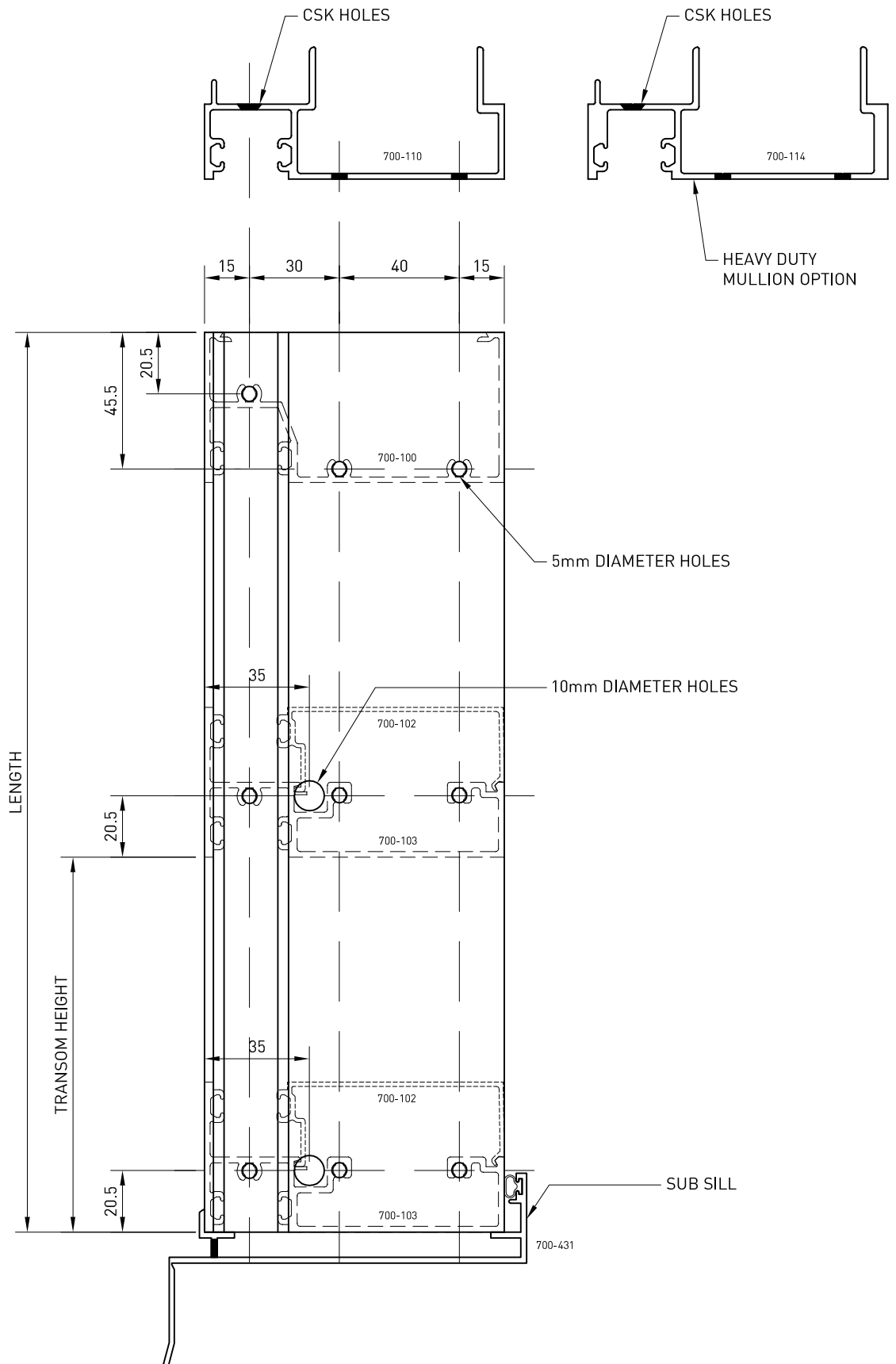


Up to date stock availability can be viewed at [www.lidco.com.au/indices](http://www.lidco.com.au/indices)

# COMMERCIAL RANGE 715 SYSTEM

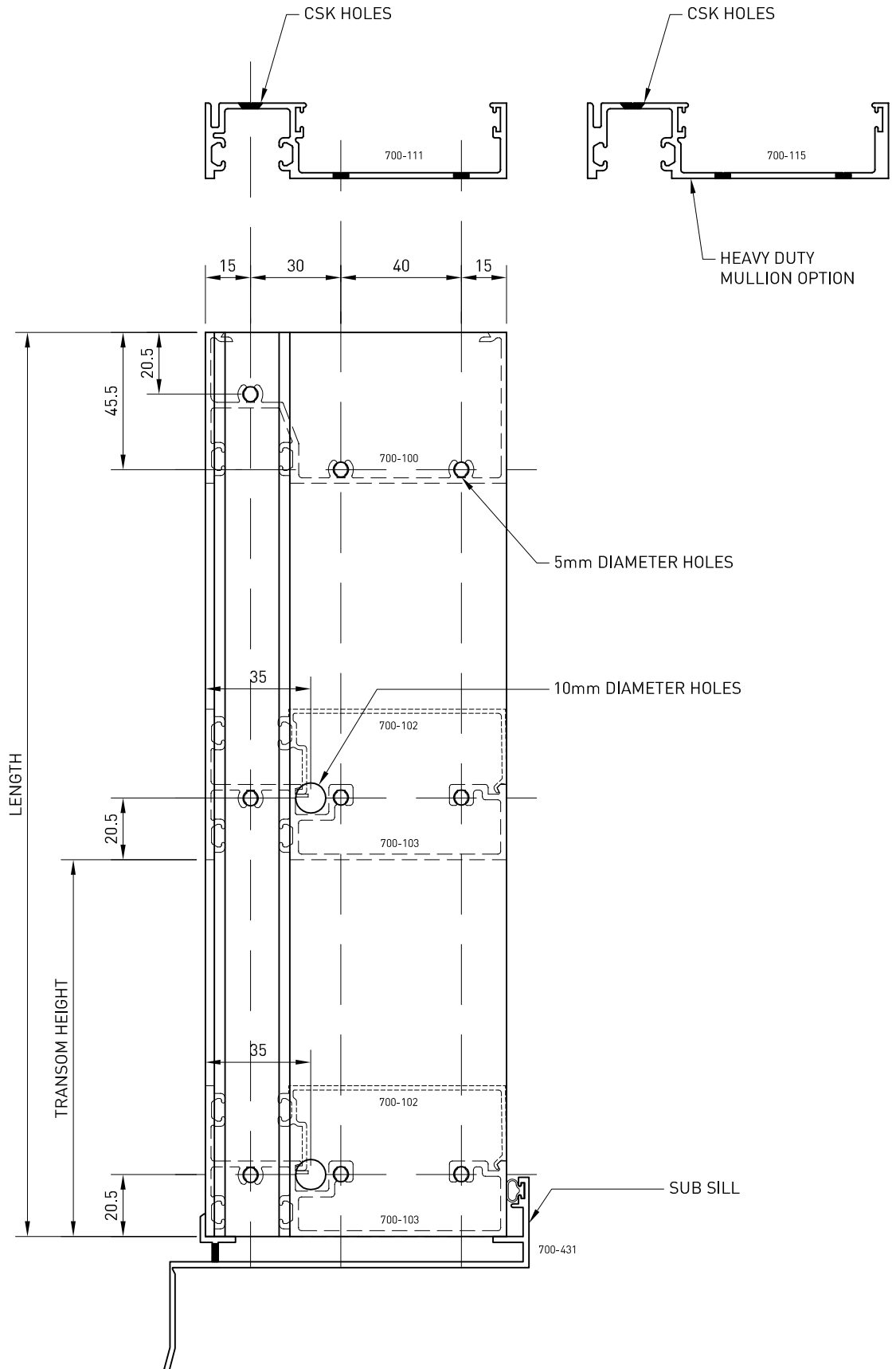
Emporia™ 100mm/150mm Faced Glazed

LH DRAWN  
R.H OPPOSITE



Up to date stock availability can be viewed at [www.lidco.com.au/indices](http://www.lidco.com.au/indices)

LH DRAWN  
R.H OPPOSITE

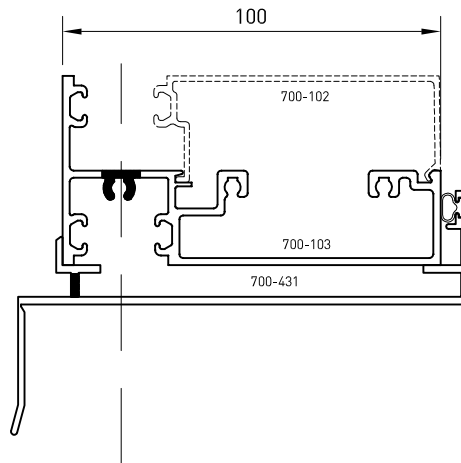


Up to date stock availability can be viewed at [www.lidco.com.au/indices](http://www.lidco.com.au/indices)

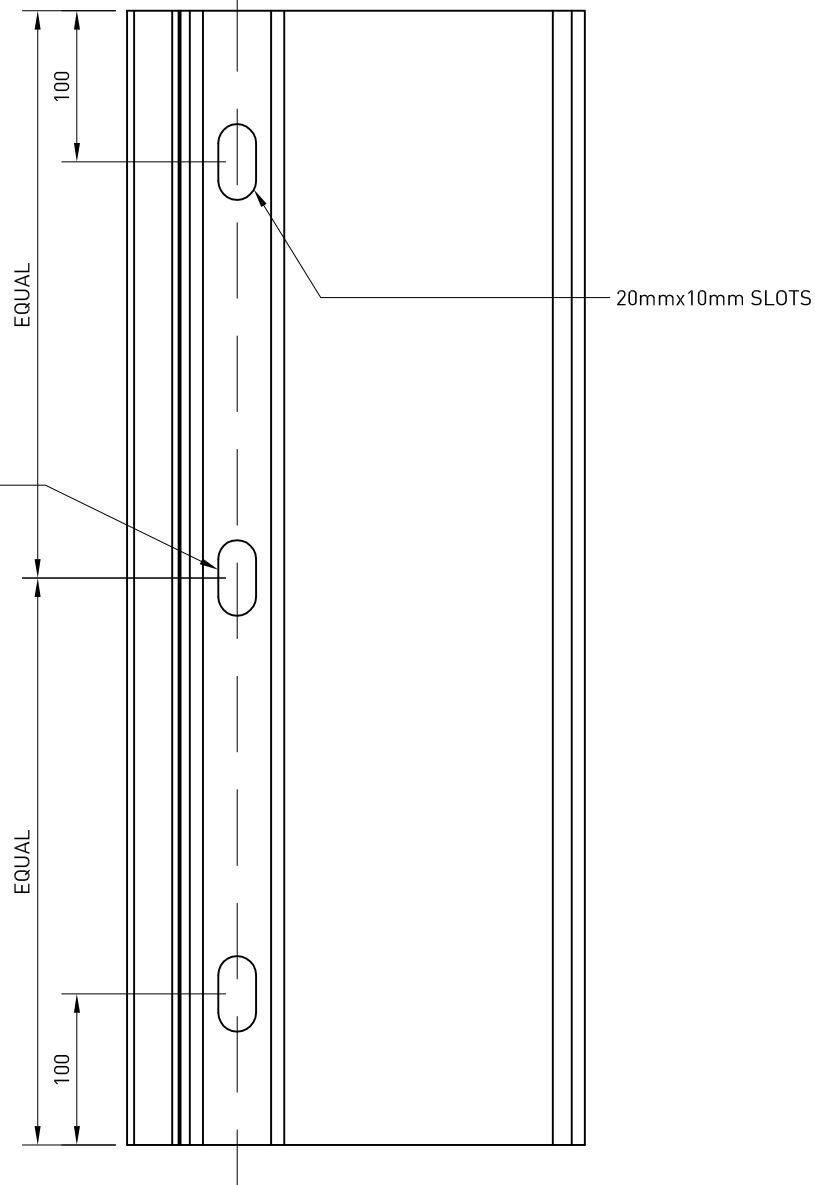
# COMMERCIAL RANGE 715 SYSTEM

## Emporia™ 100mm/150mm Faced Glazed

SILL &  
SUB SILL MACHINING

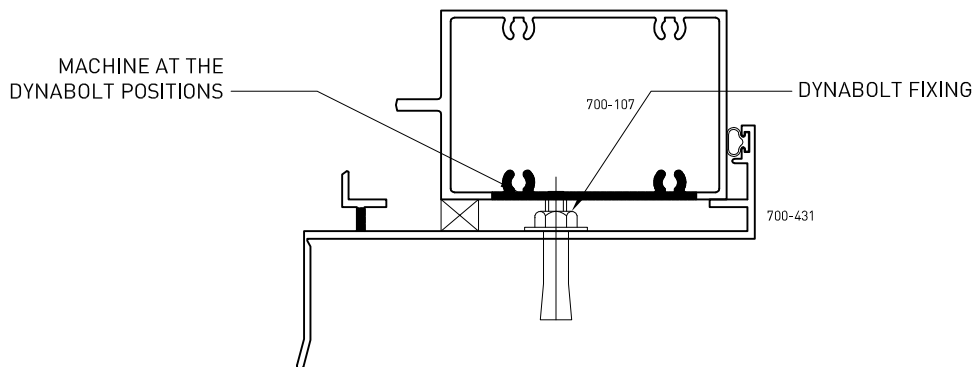
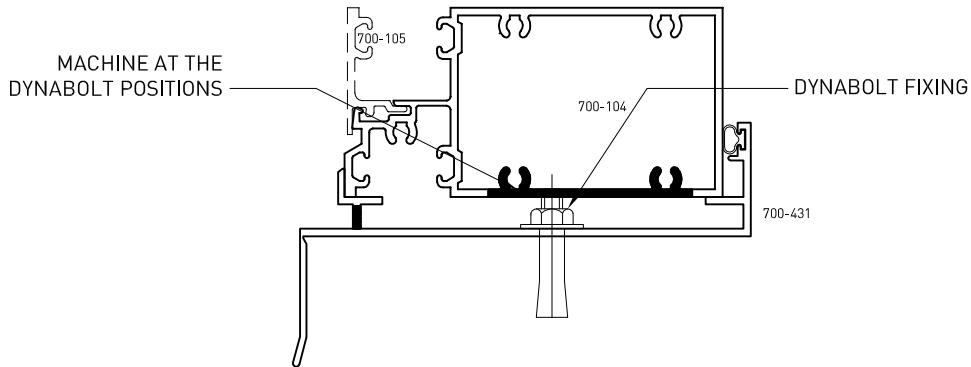
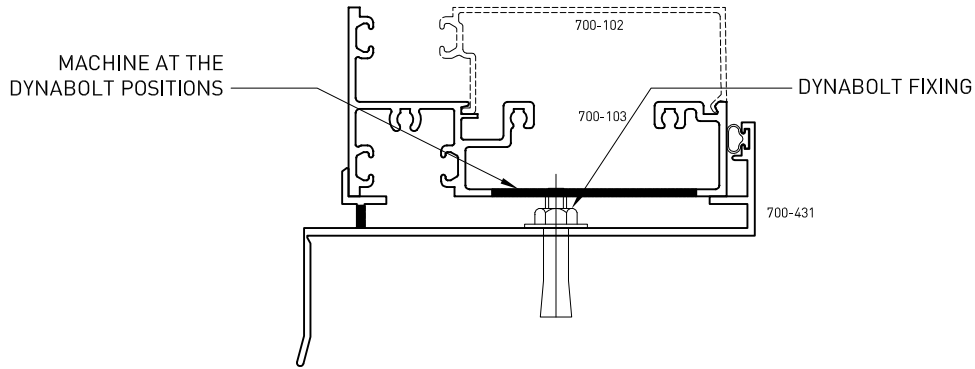


ADDITIONAL SLOTS REQUIRED IF  
THE LENGTH EXCEEDS 1200mm  
(500mm MAX CENTRES SPACING)



Up to date stock availability can be viewed at [www.lidco.com.au/indices](http://www.lidco.com.au/indices)

**NOTE:**  
MACHINING IS REQUIRED  
WHEN DYNABOLT IS  
USED AT SUB SILL

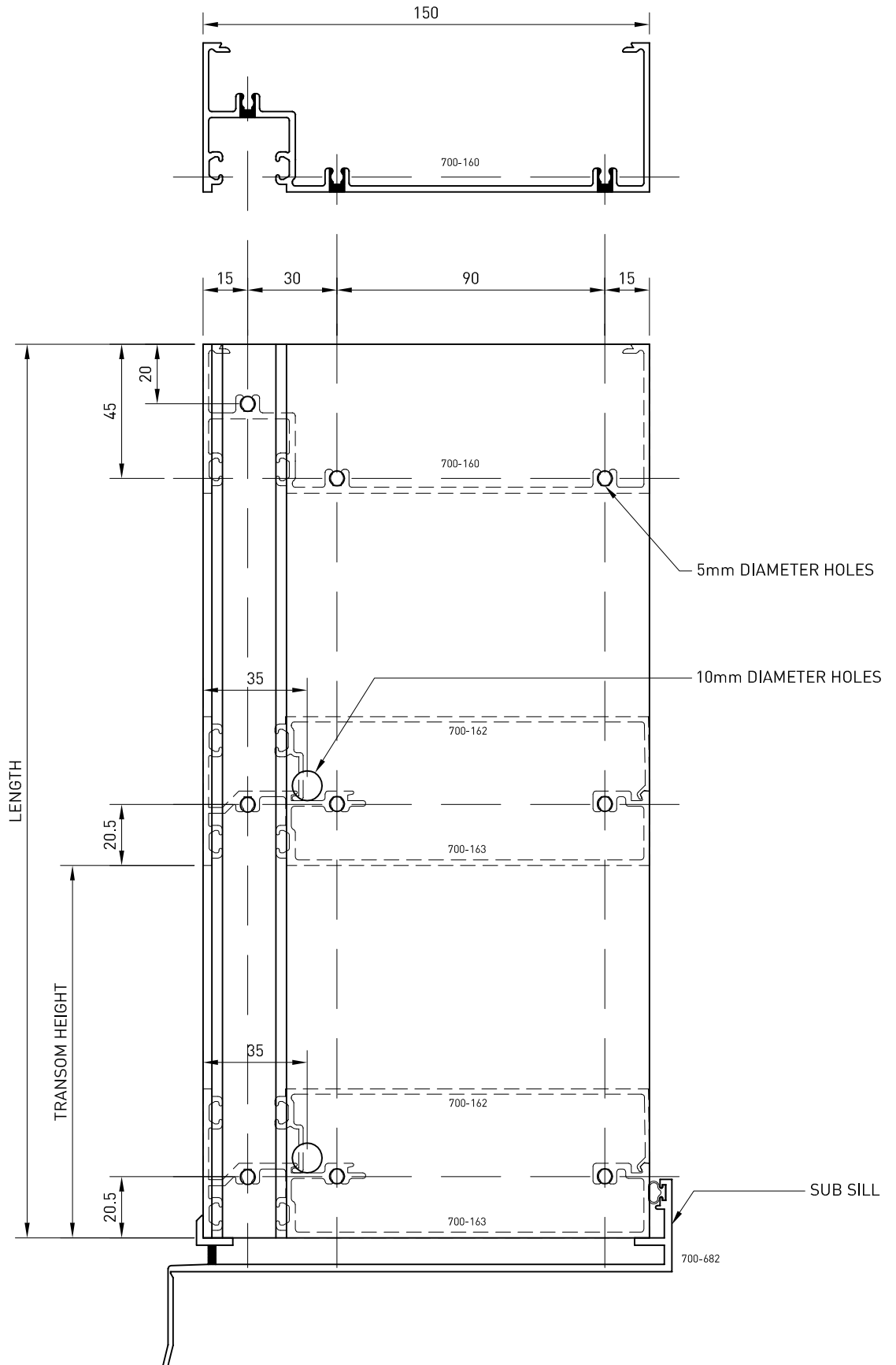


Up to date stock availability can be viewed at [www.lidco.com.au/indices](http://www.lidco.com.au/indices)

# COMMERCIAL RANGE 715 SYSTEM

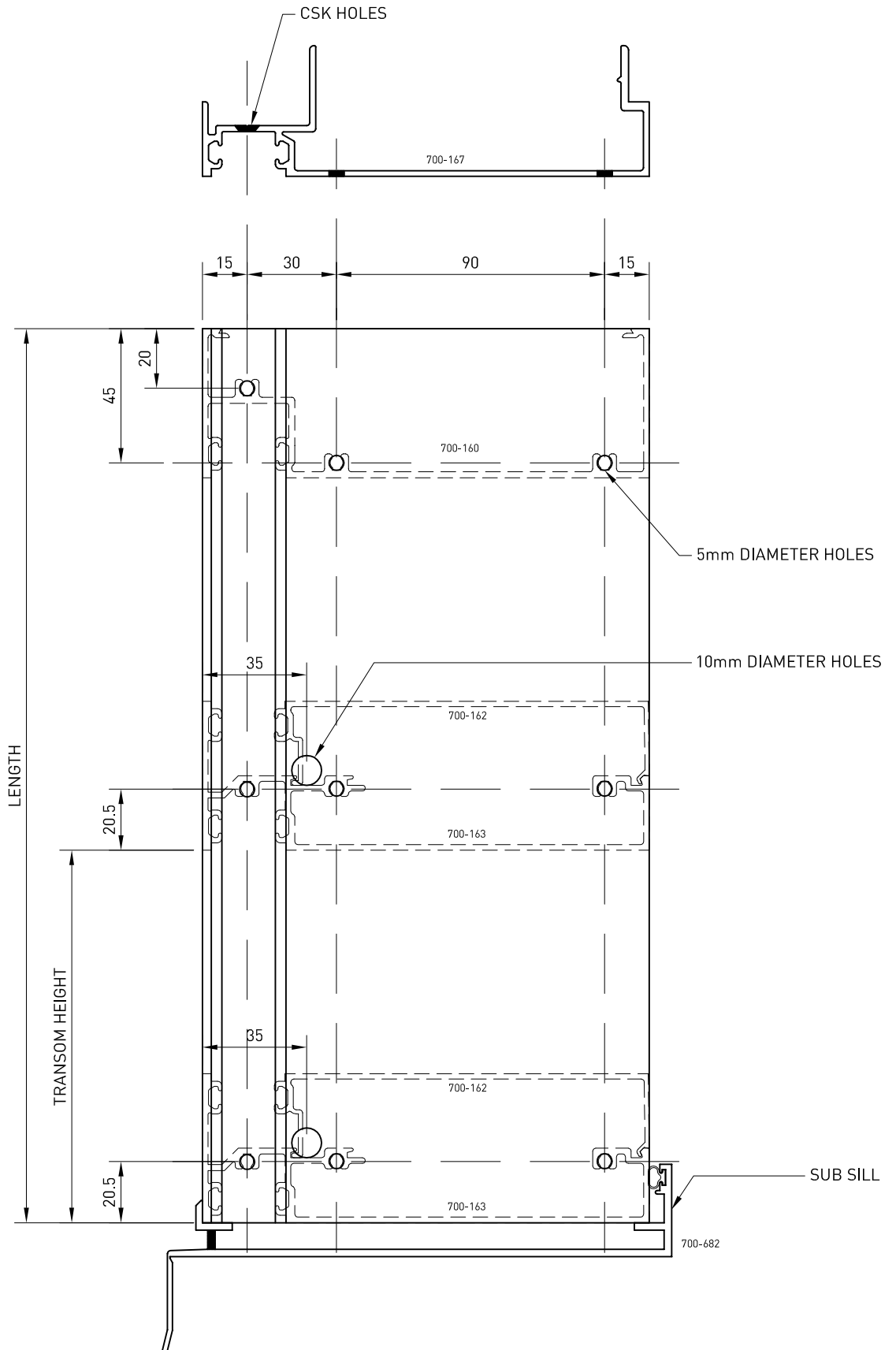
## Emporia™ 100mm/150mm Faced Glazed

LH DRAWN  
R.H OPPOSITE



Up to date stock availability can be viewed at [www.lidco.com.au/indices](http://www.lidco.com.au/indices)

LH DRAWN  
R.H OPPOSITE

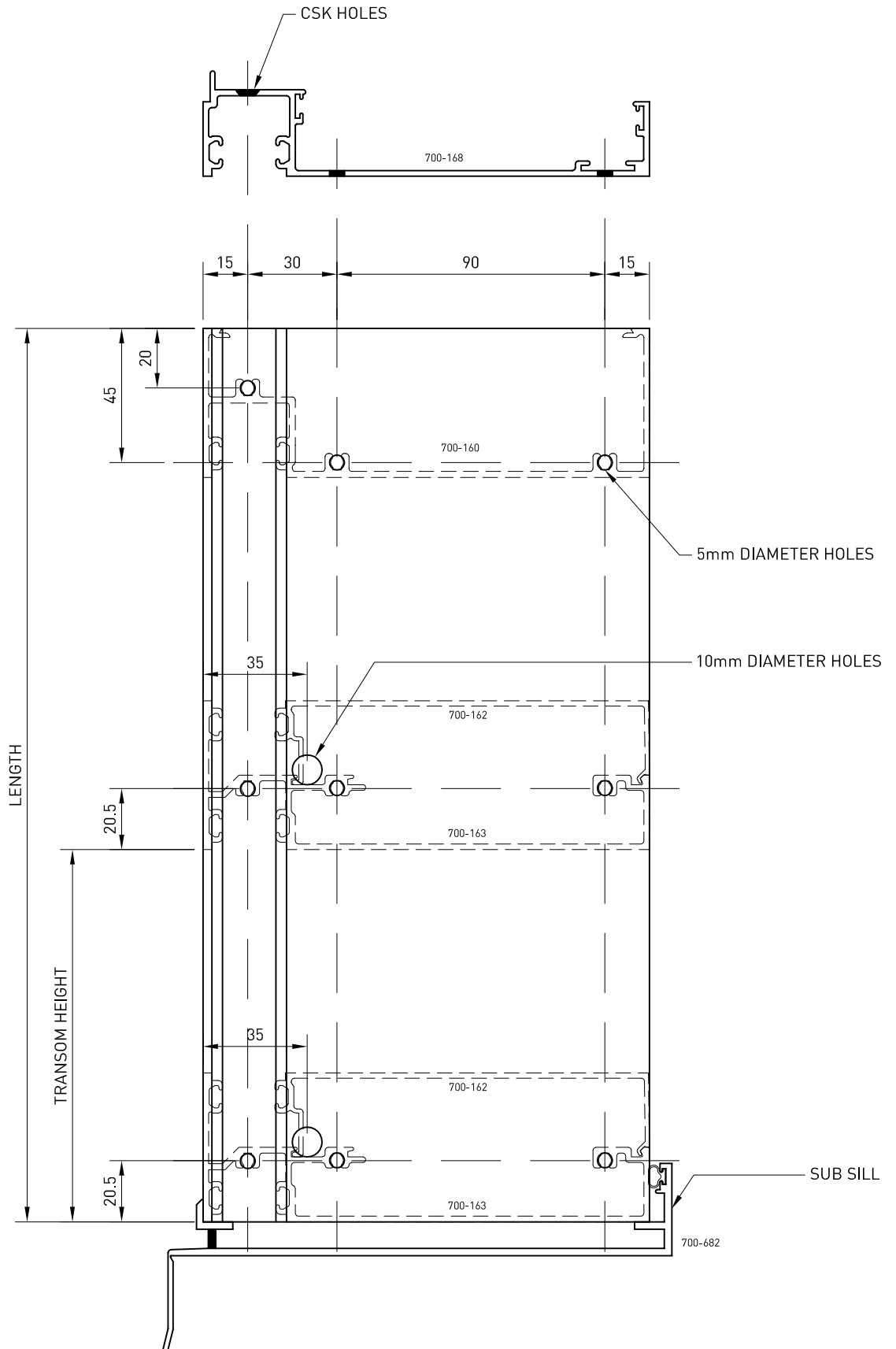


Up to date stock availability can be viewed at [www.lidco.com.au/indices](http://www.lidco.com.au/indices)

# COMMERCIAL RANGE 715 SYSTEM

Emporia™ 100mm/150mm Faced Glazed

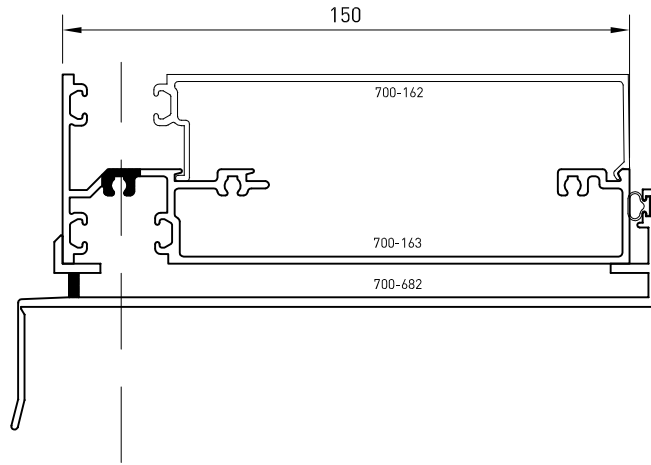
LH DRAWN  
R.H OPPOSITE



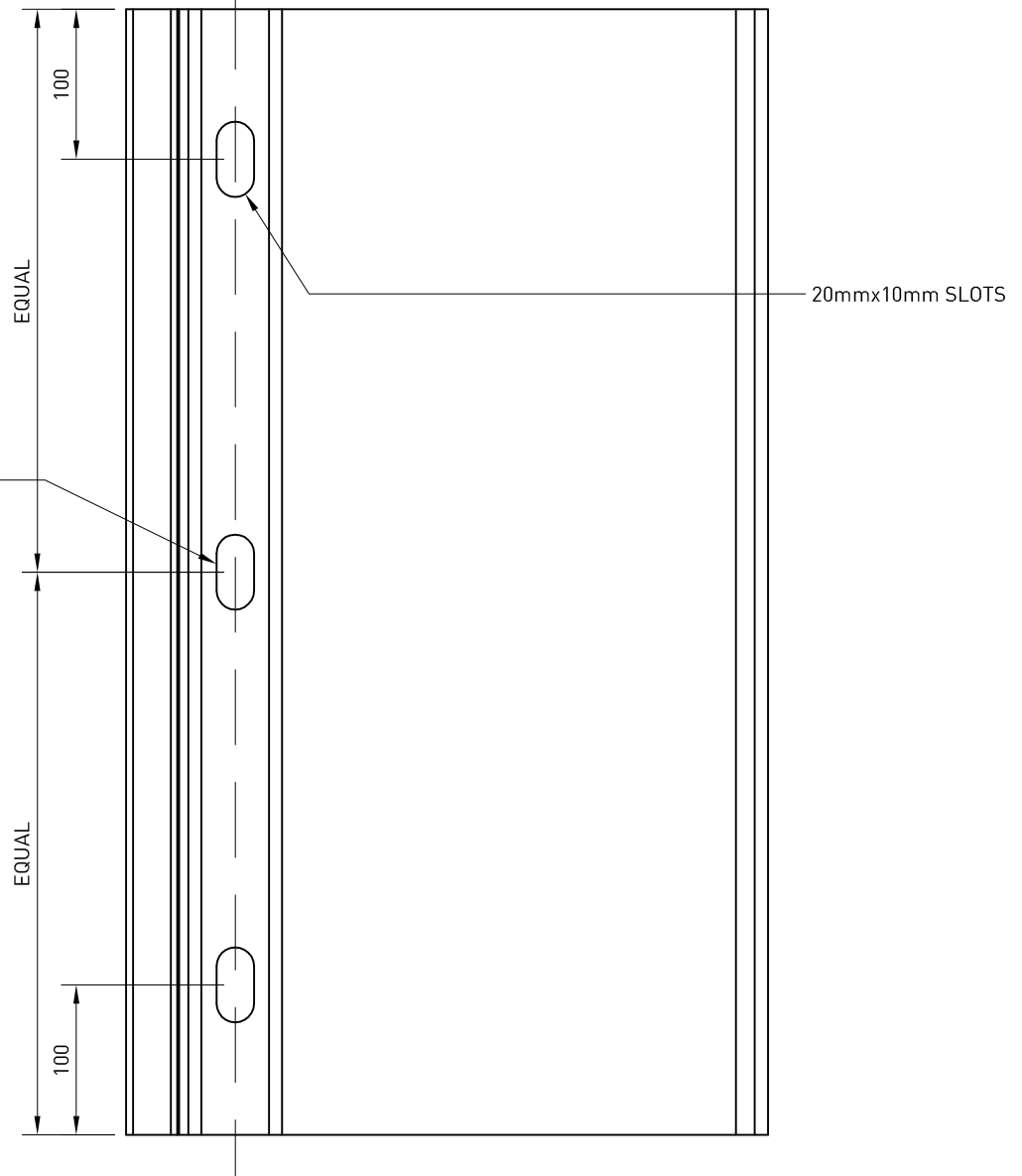
Up to date stock availability can be viewed at [www.lidco.com.au/indices](http://www.lidco.com.au/indices)



**SILL &  
 SUB SILL MACHINING**



ADDITIONAL SLOTS REQUIRED IF  
 THE LENGTH EXCEEDS 1200mm  
 (500mm MAX CENTRES SPACING)

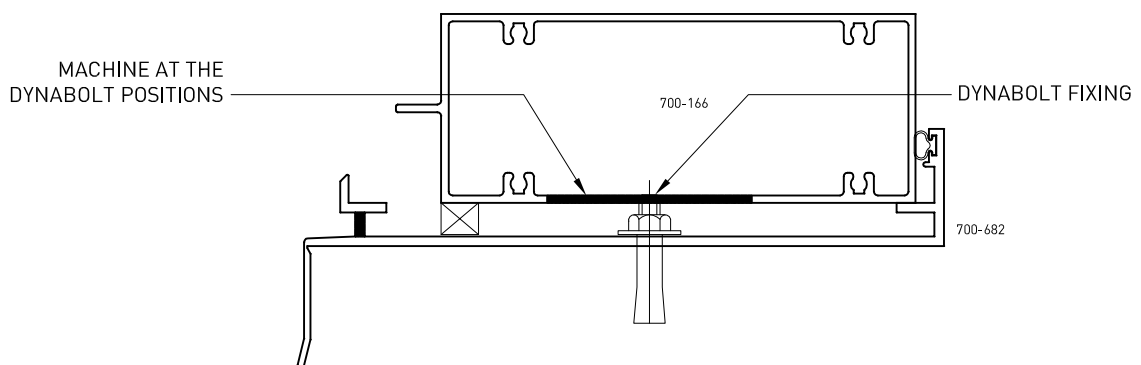
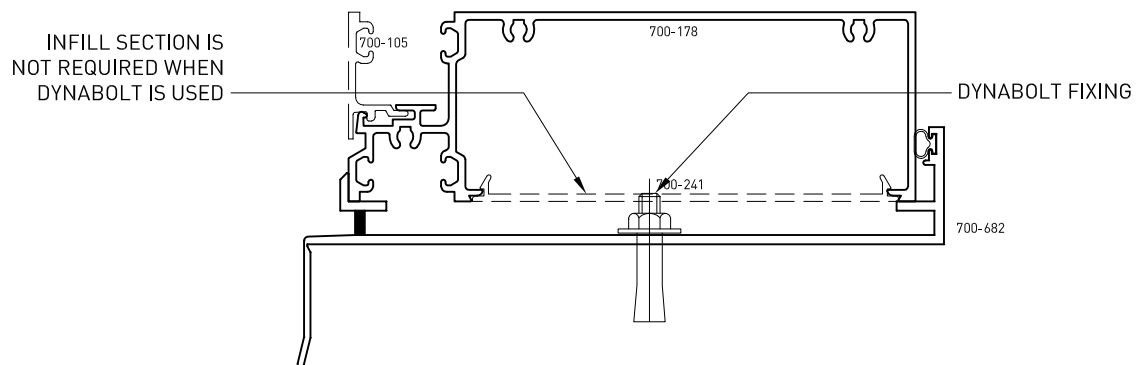
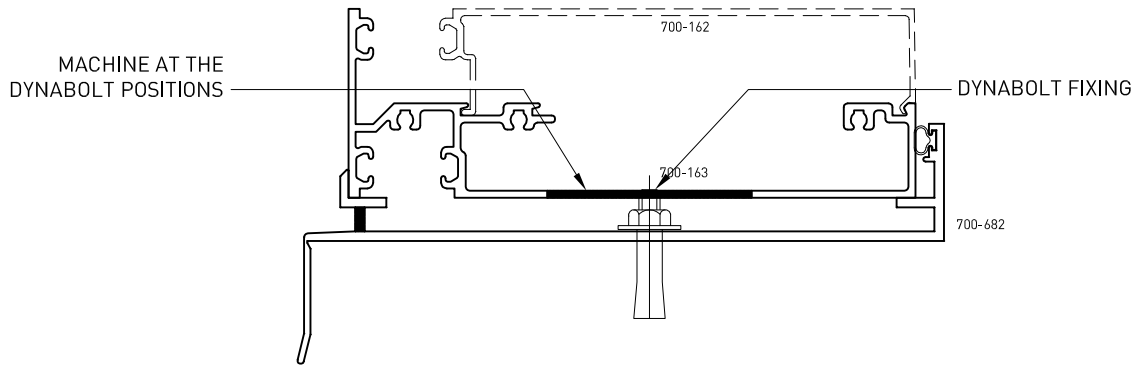


Up to date stock availability can be viewed at [www.lidco.com.au/indices](http://www.lidco.com.au/indices)

# COMMERCIAL RANGE 715 SYSTEM

## Emporia™ 100mm/150mm Faced Glazed

NOTE:  
MACHINING IS REQUIRED  
WHEN DYNABOLT IS  
USED AT SUB SILL



Up to date stock availability can be viewed at [www.lidco.com.au/indices](http://www.lidco.com.au/indices)