

Up to date stock availability can be viewed at [www.lidco.com.au/indices](http://www.lidco.com.au/indices)

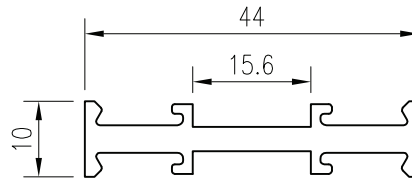
# ARCHITECTURAL RANGE 716 SYSTEM

## Emporia™ Bead Glazed Door

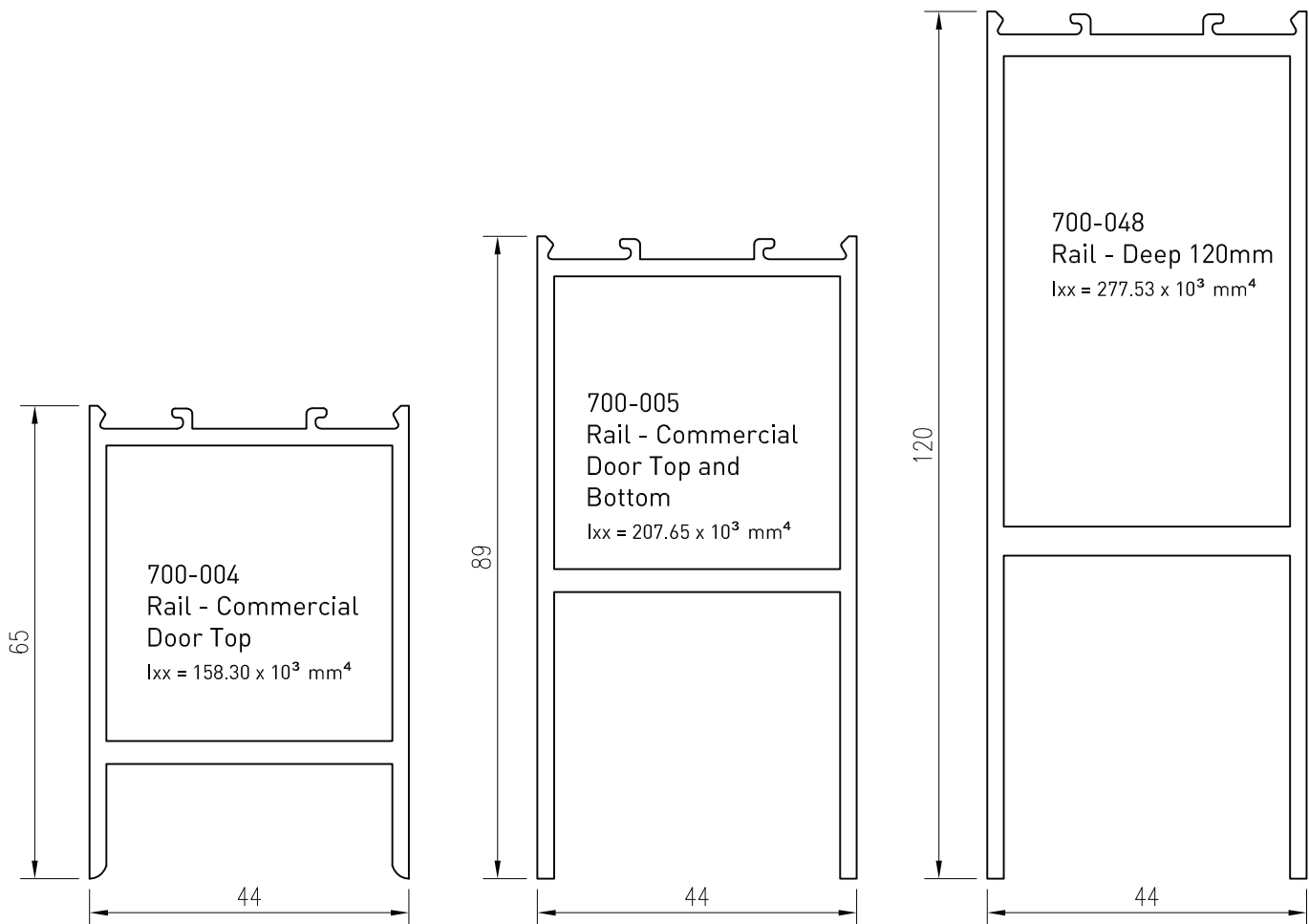


Date: Sept 2013  
Replaces: Feb 2013

| TOP RAIL | BOTTOM RAIL | CORNER JOINERY PACK |
|----------|-------------|---------------------|
| 700-004  | 700-005     | 05-120              |
| 700-005  | 700-005     | 05-120              |
| 700-004  | 700-048     | 05-121              |
| 700-005  | 700-048     | 05-121              |
| 700-048  | 700-048     | 05-123              |



700-006  
Mid Rail - Thin Bar  
 $I_{xx} = 38.68 \times 10^3 \text{ mm}^4$



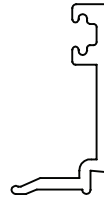
Up to date stock availability can be viewed at [www.lidco.com.au/indices](http://www.lidco.com.au/indices)

SALES ORDERS [orders@lidco.com.au](mailto:orders@lidco.com.au) F 1300 937 713

TECHNICAL SUPPORT [techsupport@lidco.com.au](mailto:techsupport@lidco.com.au) T 1300 663 848

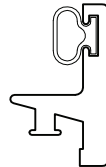


700-009  
Bead



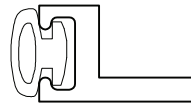
700-010  
Bead

02-082  
Use bulb seal only for hinged  
assembly  
Use mohair for bi part  
assembly

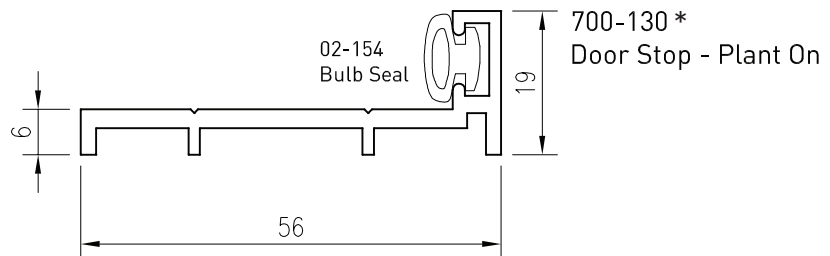


700-664  
Adaptor - Rebate

02-154  
Bulb Seal



400-931  
Door Stop - Plant On



\*Lead times may apply

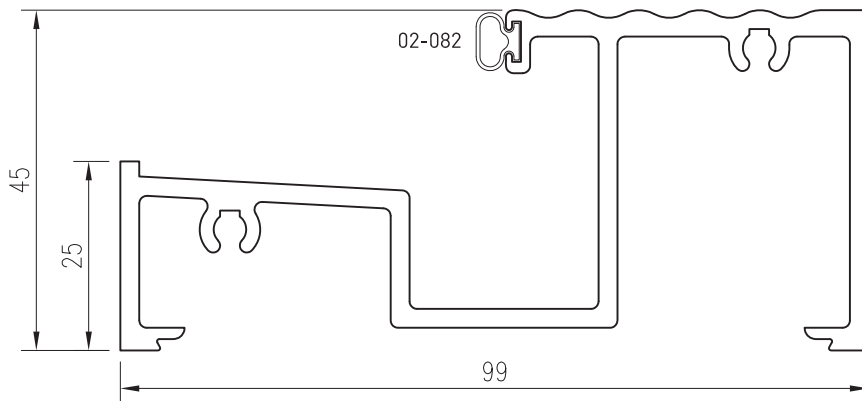
Up to date stock availability can be viewed at [www.lidco.com.au/indices](http://www.lidco.com.au/indices)

# ARCHITECTURAL RANGE 716 SYSTEM

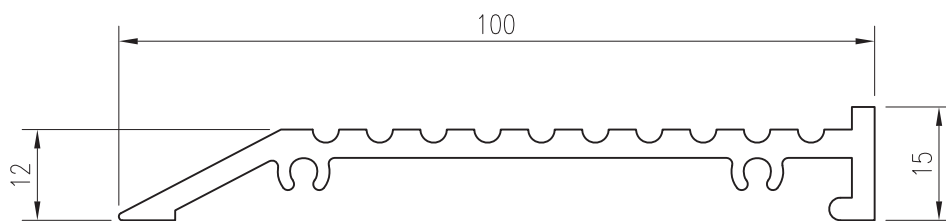
## Emporia™ Bead Glazed Door



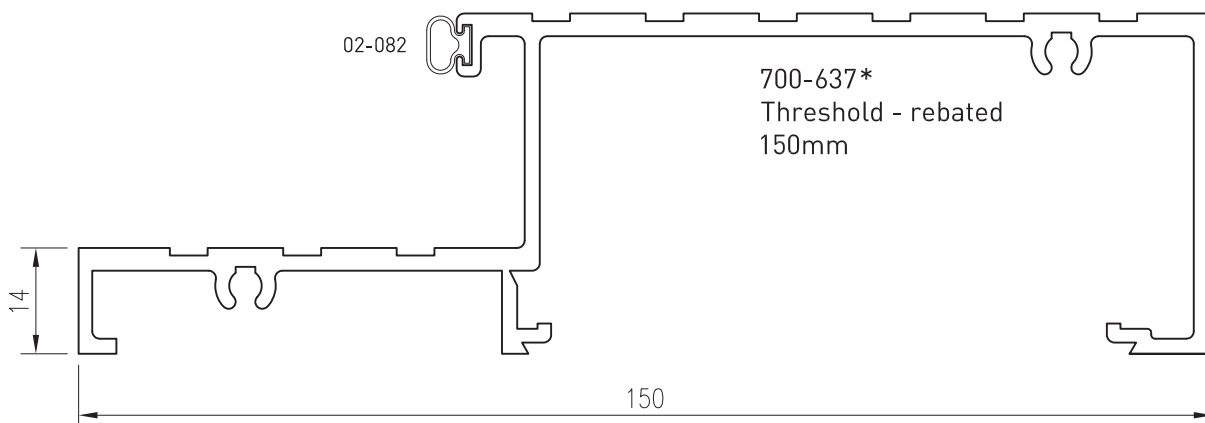
Date: Sept 2013  
Replaces: Feb 2013



700-208  
Threshold - Rebated



COM-206  
Threshold - Hinged  
Door



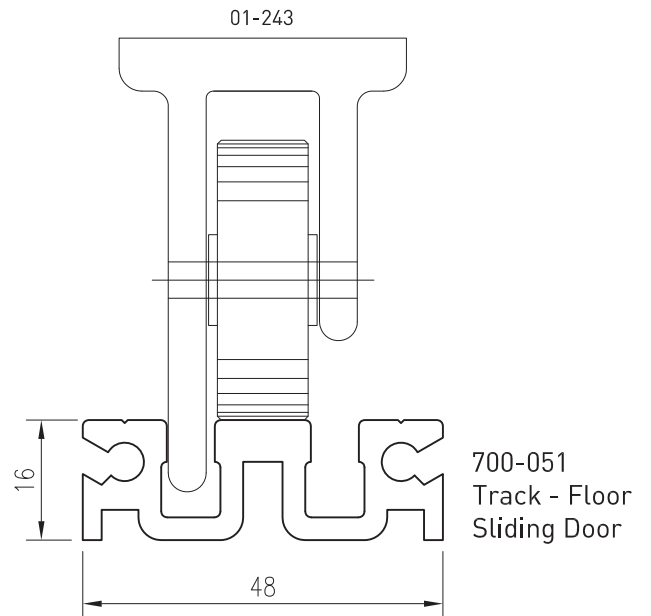
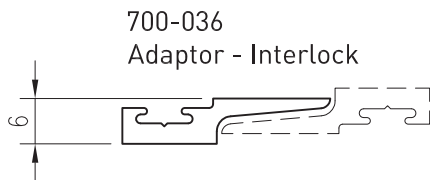
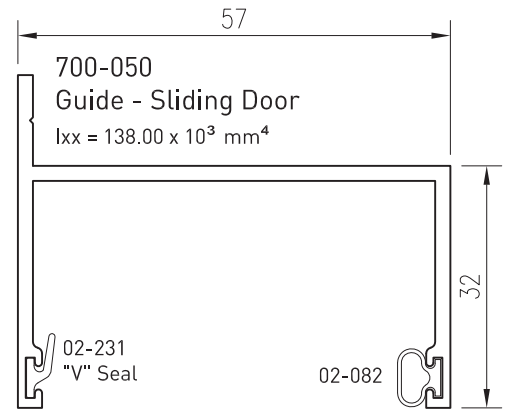
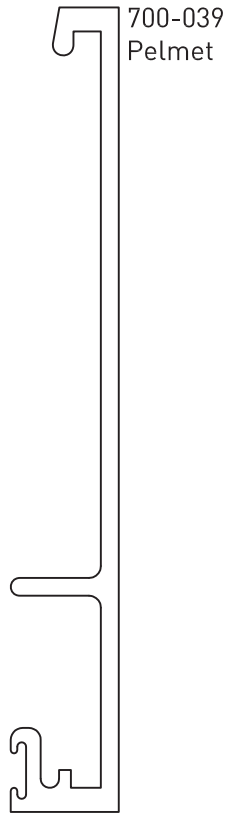
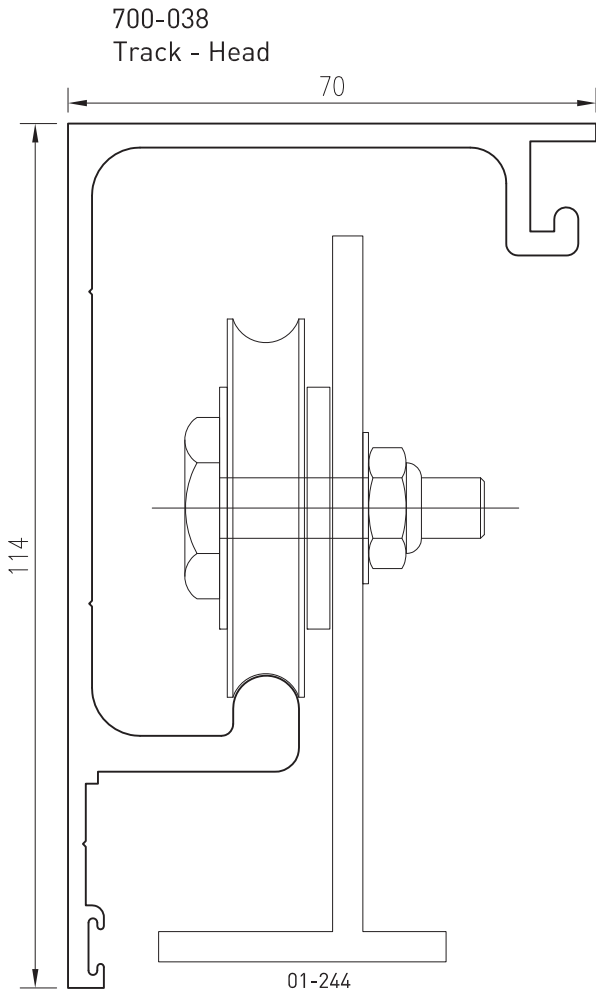
700-637\*  
Threshold - rebated  
150mm

\*Lead times may apply

Up to date stock availability can be viewed at [www.lidco.com.au/indices](http://www.lidco.com.au/indices)

SALES ORDERS [orders@lidco.com.au](mailto:orders@lidco.com.au) F 1300 937 713

TECHNICAL SUPPORT [techsupport@lidco.com.au](mailto:techsupport@lidco.com.au) T 1300 663 848



Up to date stock availability can be viewed at [www.lidco.com.au/indices](http://www.lidco.com.au/indices)