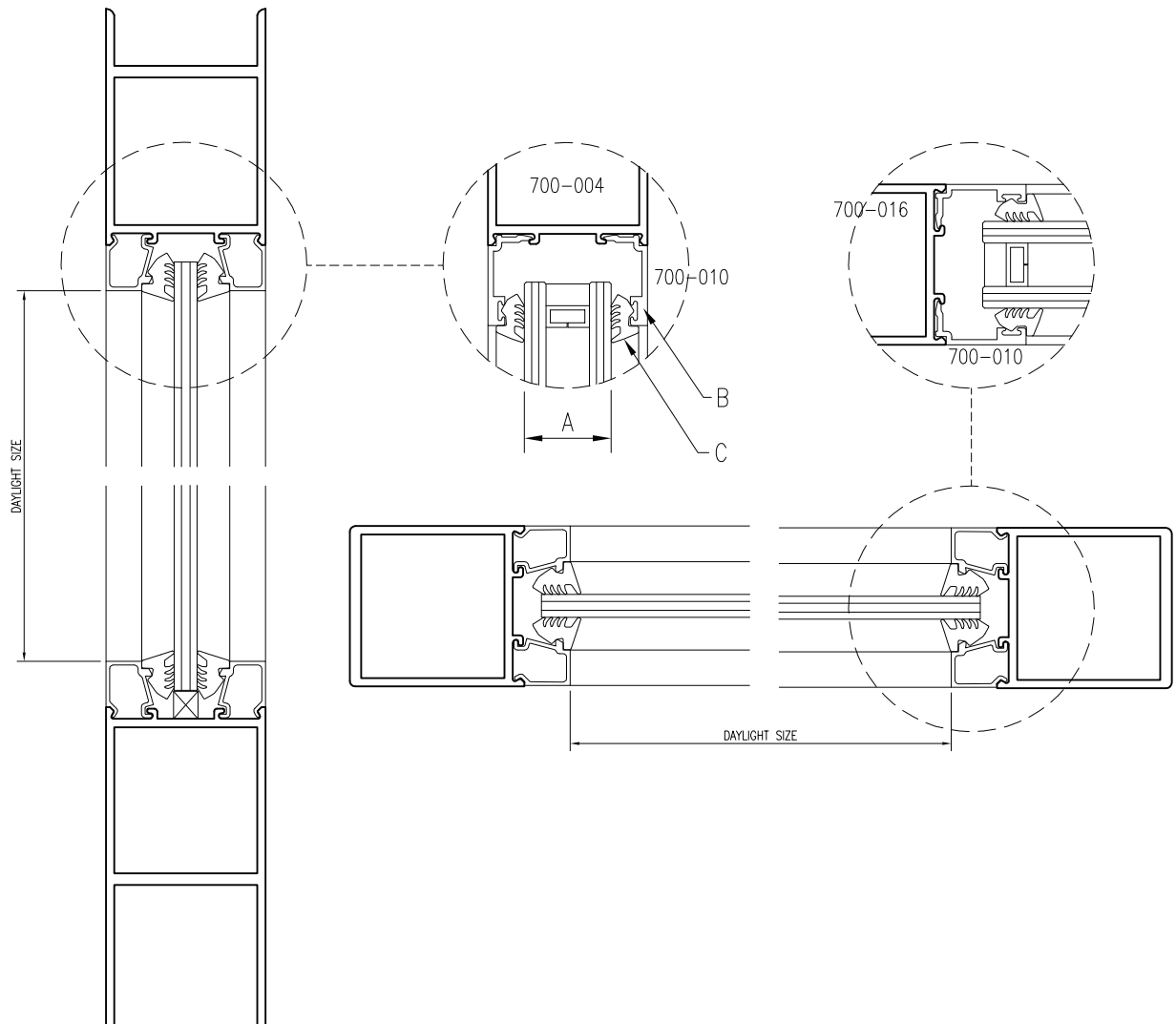


Glazing Details



METHOD: Dry glazed using roll-in wedges both sides.

GLASS: 6mm, 10mm & 24mm/25mm glass using appropriate wedges.

GLASS CUTTING SIZE:
 Height = daylight size + 19mm
 Width = daylight size + 19mm
 Height = daylight size + 24mm (When 700-010 bead is used)
 Width = daylight size + 24mm (When 700-010 bead is used)

MATERIALS:

A (Glass Thickness)	B (Bead)	C (Roll-in Wedge)
6mm/6.38mm	700-009	04-108
10mm	700-009	04-105
24mm/25mm	700-010	04-108