



Overview

The plant-on Frameless Sliding Window allows for the easy installation of horizontal sliding glass panels onto steel, timber or aluminium framing to provide an unobstructed view.

Typical applications include glass display cabinets, showcases, bookcases, communication windows, receptionist shields and any other situations where limited sized non-weatherproof frameless sliding panels may be required.

Fitted with clear PVC seals (see below), the Frameless Sliding Window can be used as retro-fitted secondary glazing to provide improved acoustic and thermal performance. It is a slim and versatile system that provides easy access for ventilation and is suitable for treating most types of window.

A stylish lock is available, with only one required per window as it is fitted to the centre of the bottom rail. Nylon or stainless steel rollers can be fitted and glide on a low profile track. Sashes are removable for maintenance and cleaning. Fixings are concealed within the frame – trims not required.

Designed to accept 6mm or 6.38mm glass only with a maximum height of 1.2m. Panels should not exceed 1.2m². For larger panel sizes and where superior retro-fitted secondary glazing acoustic and thermal performance is required refer to the Lidco plant-on Slimline Sliding Window (261 System).

Available in various powder-coated and anodised finishes.

Optional Clear Fin Seal (02-006)

The clip-on PVC fin seal is an easy way to reduce dust infiltration and improve the acoustic and thermal performance when the Frameless Sliding Window is used as secondary glazing.

The seal is simply cut to length and clipped onto the edge of the glass. The clear PVC seal is unobtrusive and fits securely without needing any fasteners. For extra sealing performance both of the sliding panes of glass can be fitted with PVC seals.

Stylish Lock Option (00-039M)

Stylish and high quality, this keyed plunger lock is reliable, secure and easy to use. It's compact size and slim profile makes it suitable for a range of internal locking applications.

The lock body is of full metal construction for strength and durability. It features concealed fixings with no visible screws for a sleek appearance and added security. Only one is required per sliding window as the lock is fitted to the centre of the bottom rail. Available in black (00-039MBL) and satin chrome (00-039MSC).



Optional clip-on clear PVC fin seal (02-006)



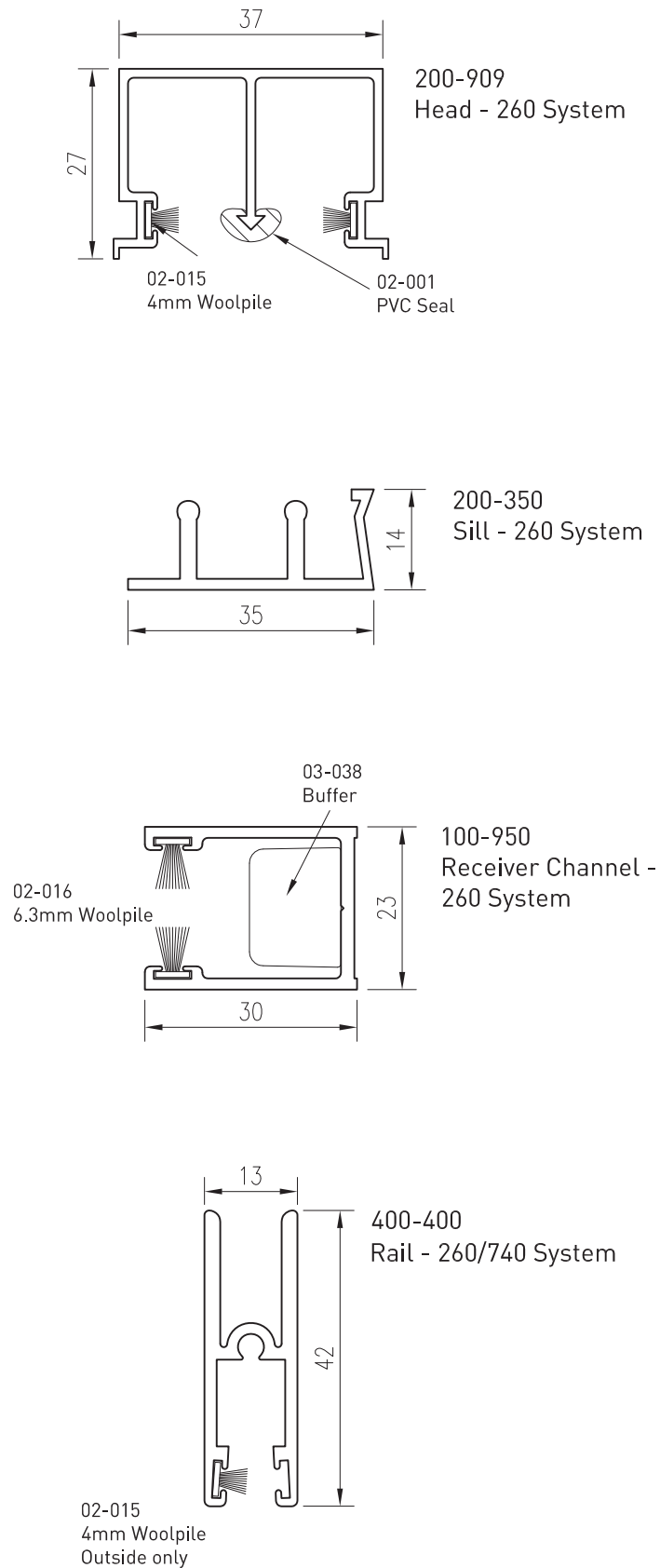
Optional lock (00-039M) in satin chrome finish



Frameless Sliding Window

Scale 1:1

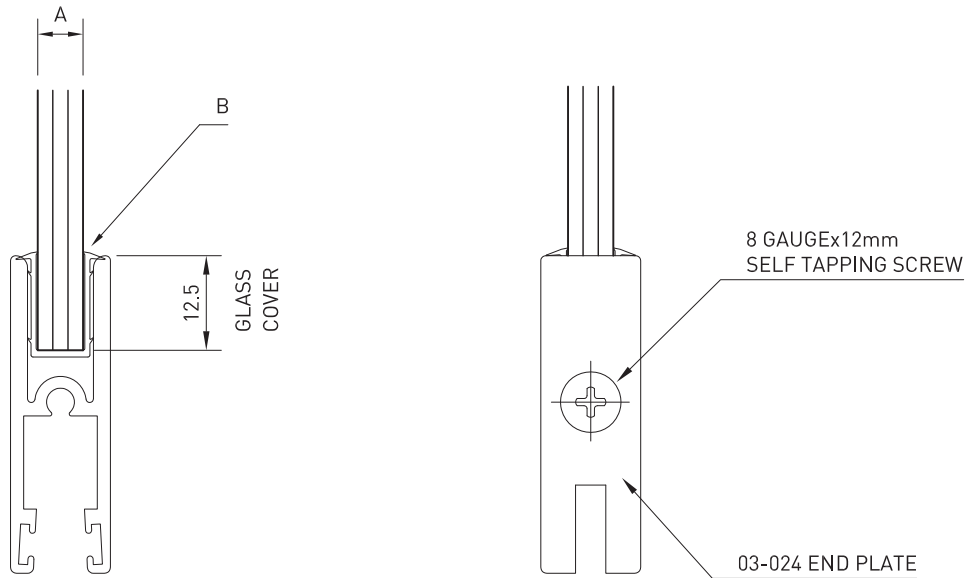
Extrusion Profiles



Up to date stock availability can be viewed at www.lidco.com.au/indices

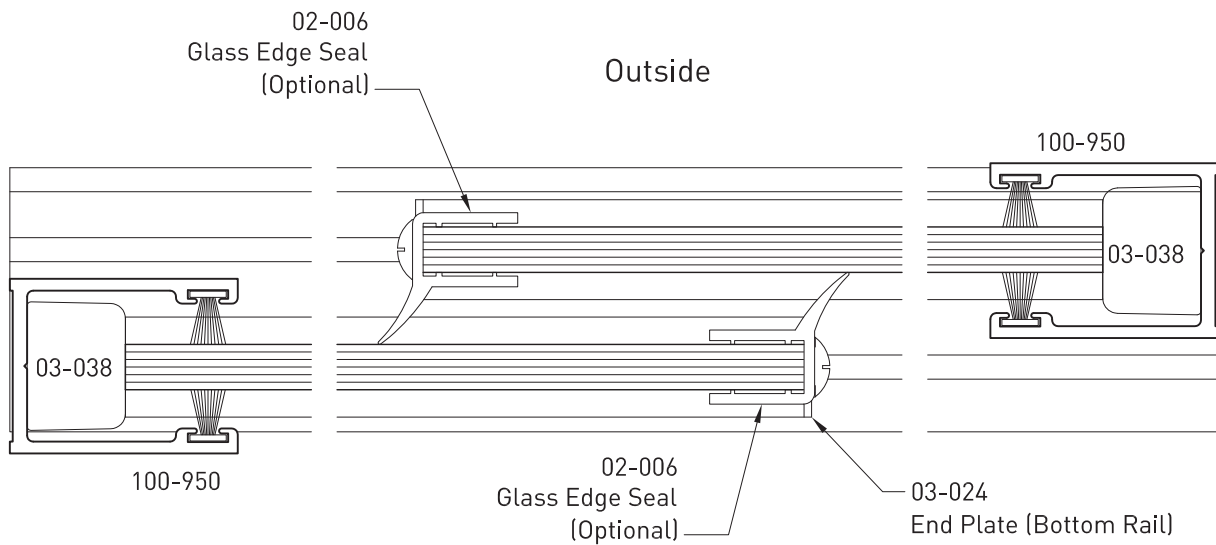
Not to scale

Glazing Details



A (Glass Thickness)	B (Glazing Channel)	Material
6mm/6.38mm	04-141	PVC

This system accepts 6 or 6.38mm glass only.



Up to date stock availability can be viewed at www.lidco.com.au/indices

Frameless Sliding Window

Not to scale

Hardware

00-039MBL/00-039MSC – Plunger Lock

Black or satin chrome



01-029M – Window Roller (15kg Stainless Steel)

Suitable for 400-400 and LSS-102



01-540 – Window Roller (12kg Black Plastic)

Suitable for LSS-102 and 400-400



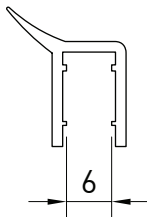
02-001 – Track Buffer

For 260 System only



02-006 – Glass Clip Edge Fin Seal (Clear PVC)

For 260 System



02-015 – 4mm Woolpile



02-016 – 6.3mm Woolpile



03-024 – End Plate (Bottom Rail)

For 260 System only



03-038 – Rubber Buffer



04-141 – 6mm Glazing Channel



Up to date stock availability can be viewed at www.lidco.com.au/indices