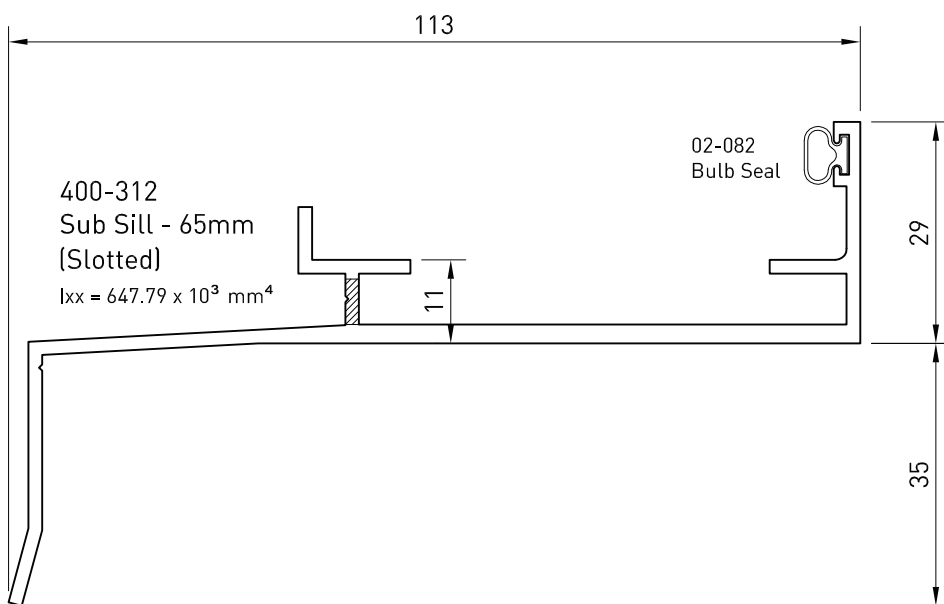
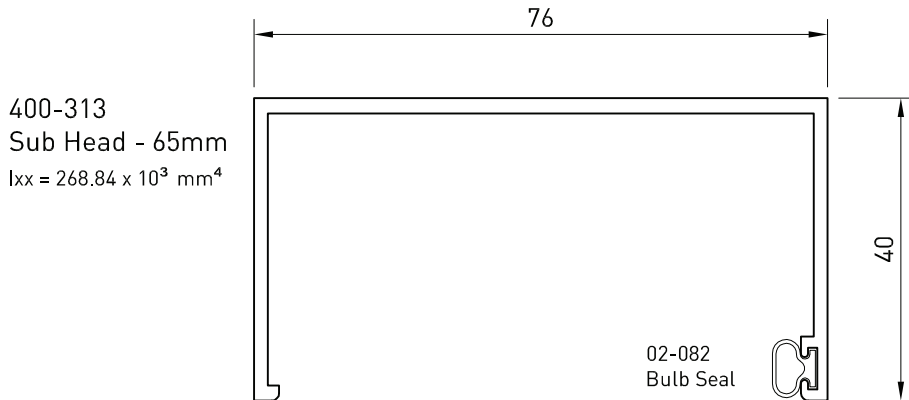


For 65mm Frame



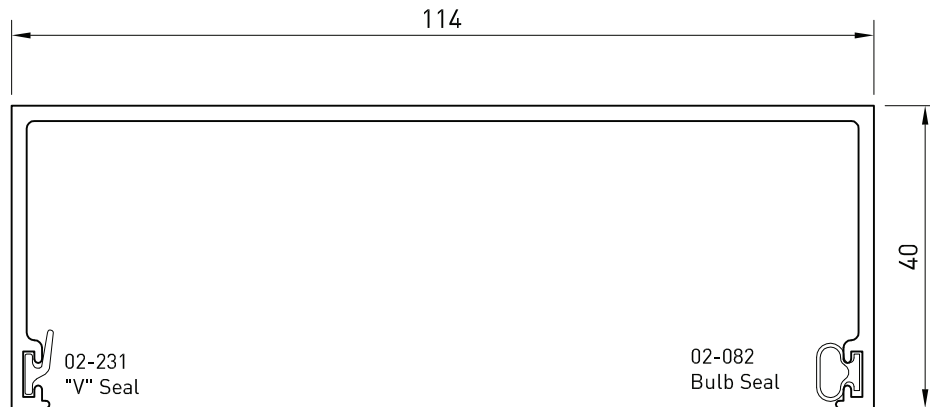
Up to date stock availability can be viewed at www.lidco.com.au/indices

SUB SYSTEM

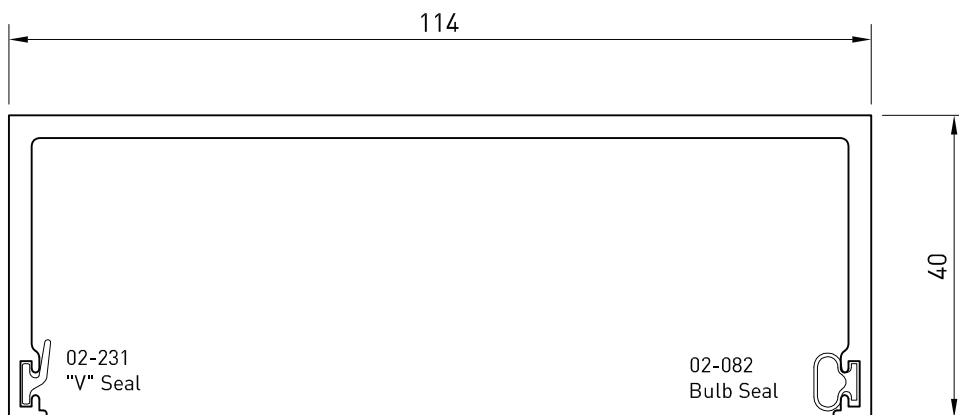
Sub-Framing

For 100mm
Frame

700-231
Sub head - 100mm
 $I_{xx} = 762.31 \times 10^3 \text{ mm}^4$



700-235*
Sub head - Heavy
Duty 100mm
 $I_{xx} = 1038.95 \times 10^3 \text{ mm}^4$

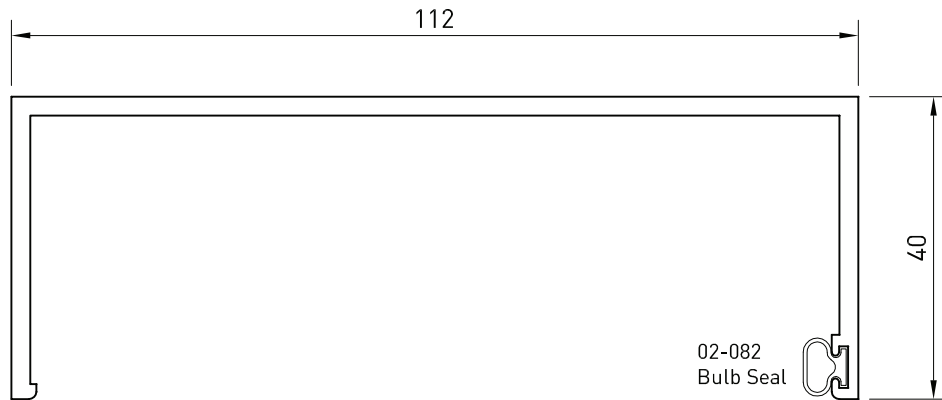


*Lead times may apply

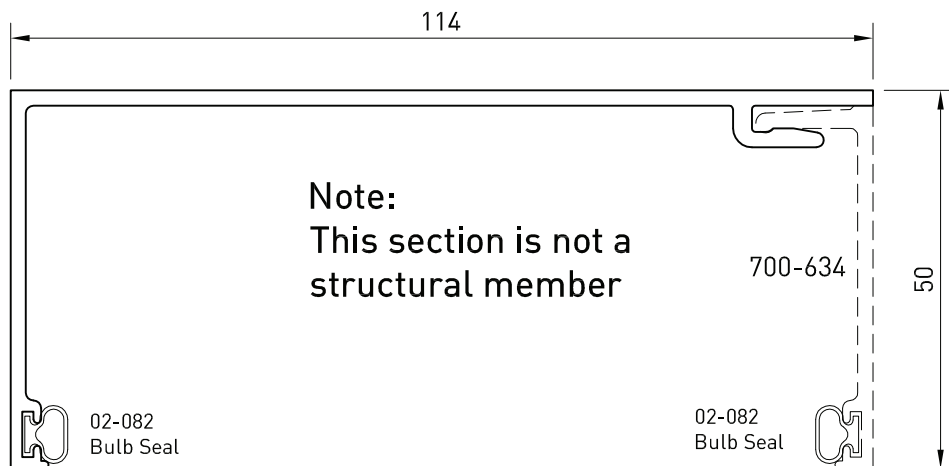
Up to date stock availability can be viewed at www.lidco.com.au/indices

For 100mm
Frame

700-907
Sub head - 100mm
 $I_{xx} = 854.15 \times 10^3 \text{ mm}^4$



700-229
Sub head - 2 Part
100mm
 $I_{xx} = 580.19 \times 10^3 \text{ mm}^4$



Up to date stock availability can be viewed at www.lidco.com.au/indices

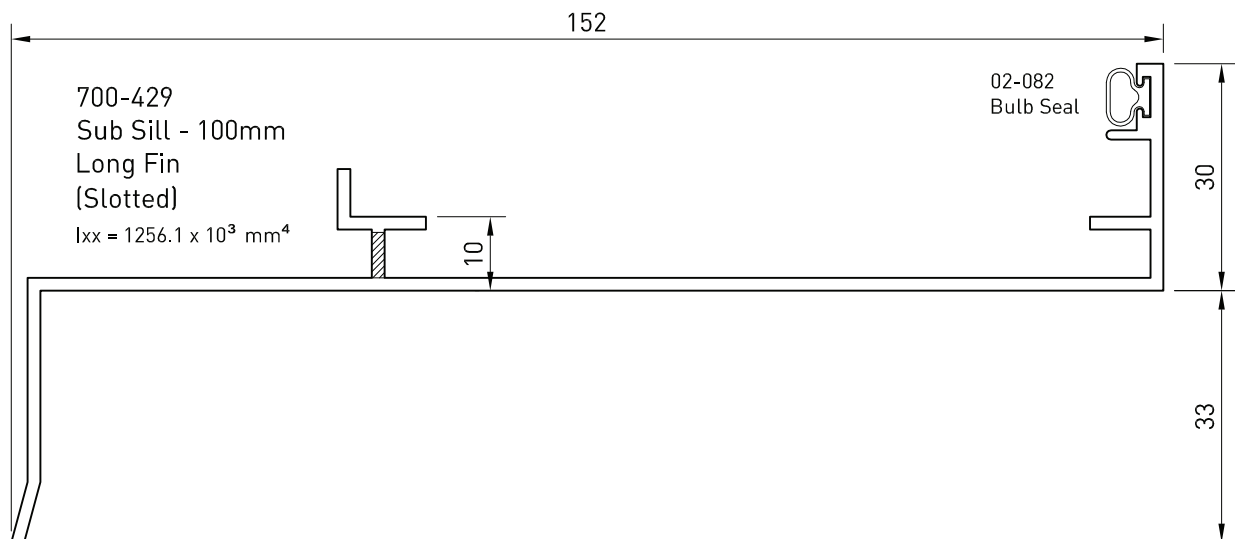
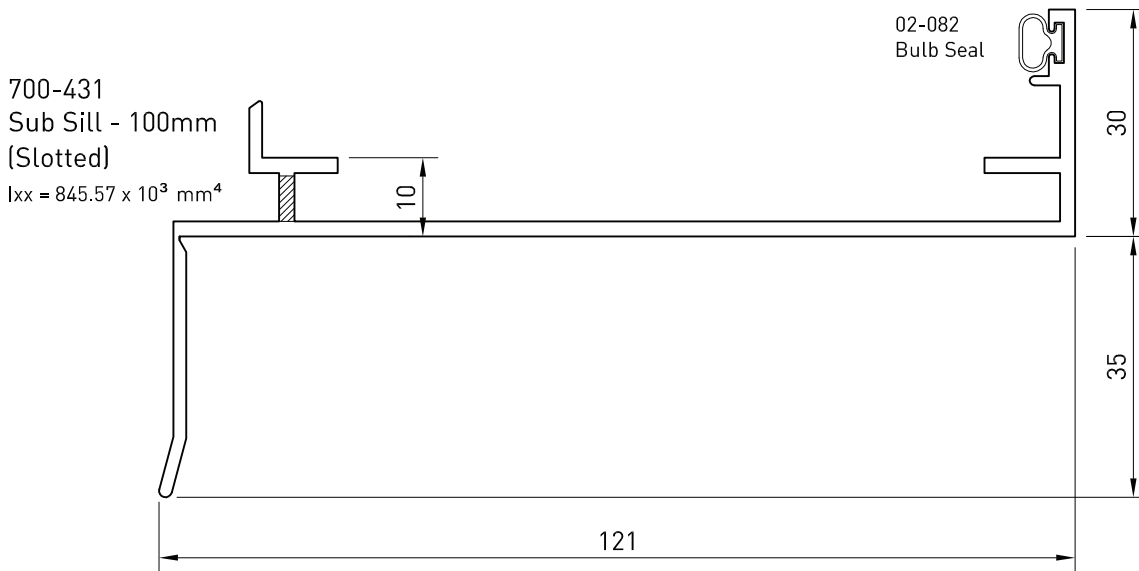
SUB SYSTEM

Sub-Framing



Date: Mar 2013
Replaces: Nov 2012

For 100mm
Frame

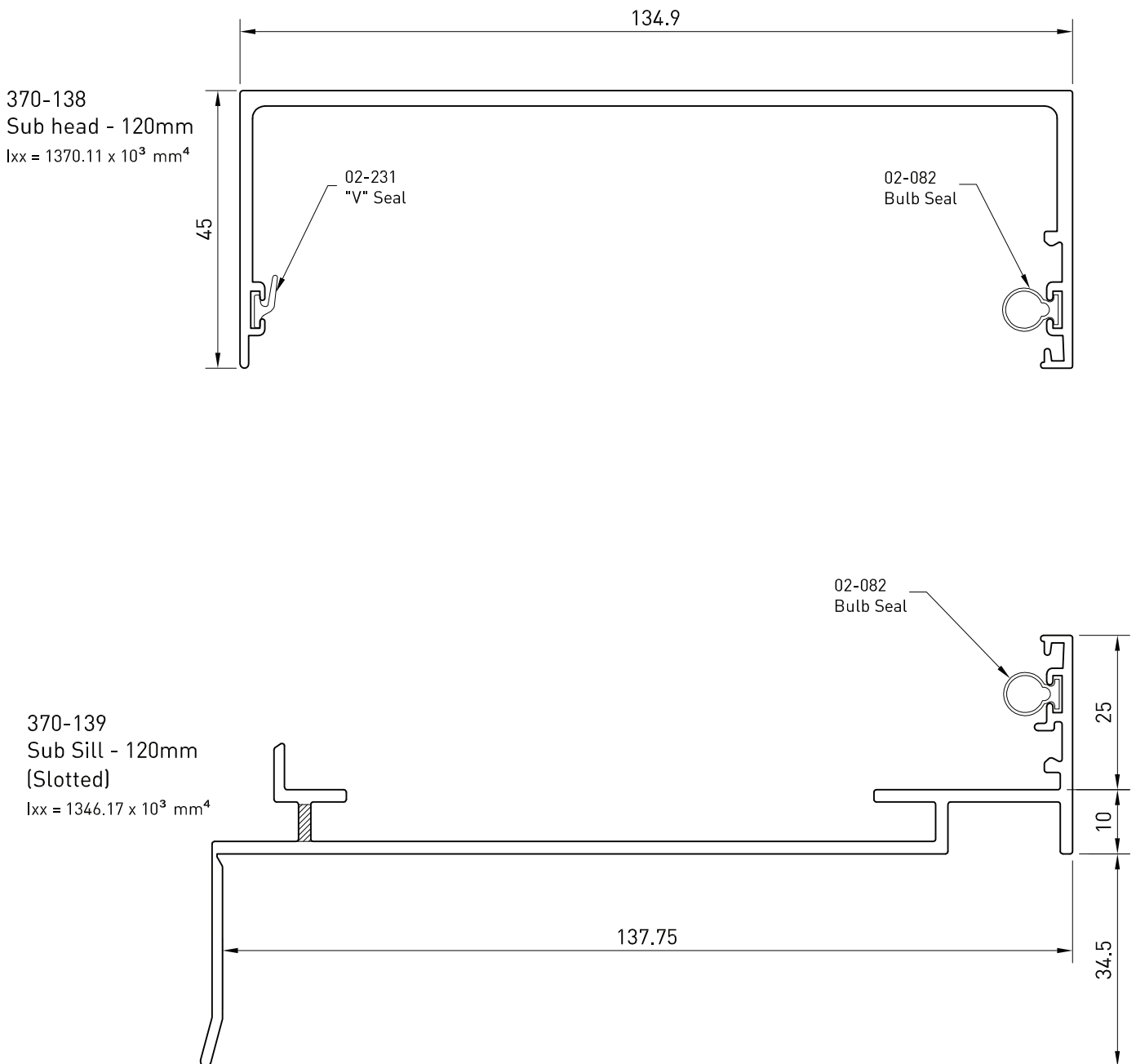


Up to date stock availability can be viewed at www.lidco.com.au/indices

SALES ORDERS orders@lidco.com.au F 1300 937 713

TECHNICAL SUPPORT techsupport@lidco.com.au T 1300 663 848

For 120mm
Frame



Up to date stock availability can be viewed at www.lidco.com.au/indices

SUB SYSTEM

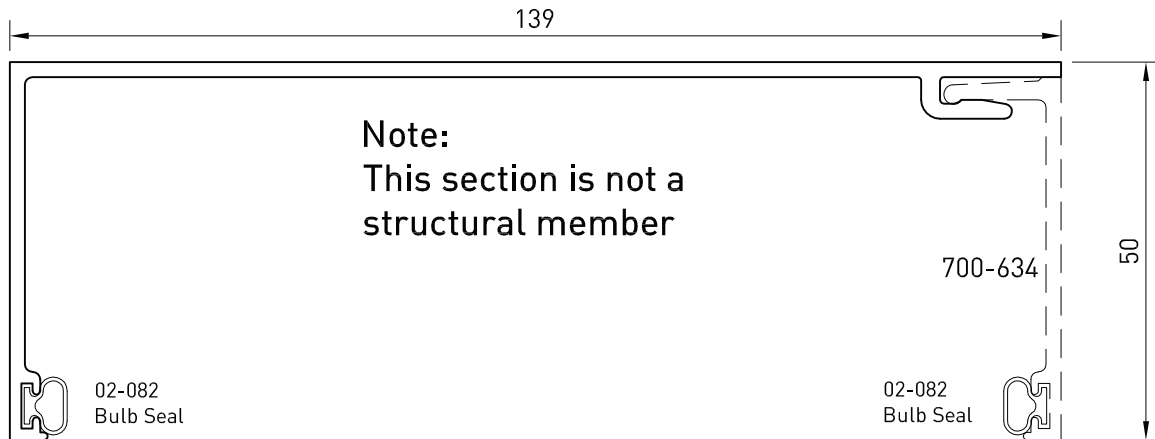
Sub-Framing



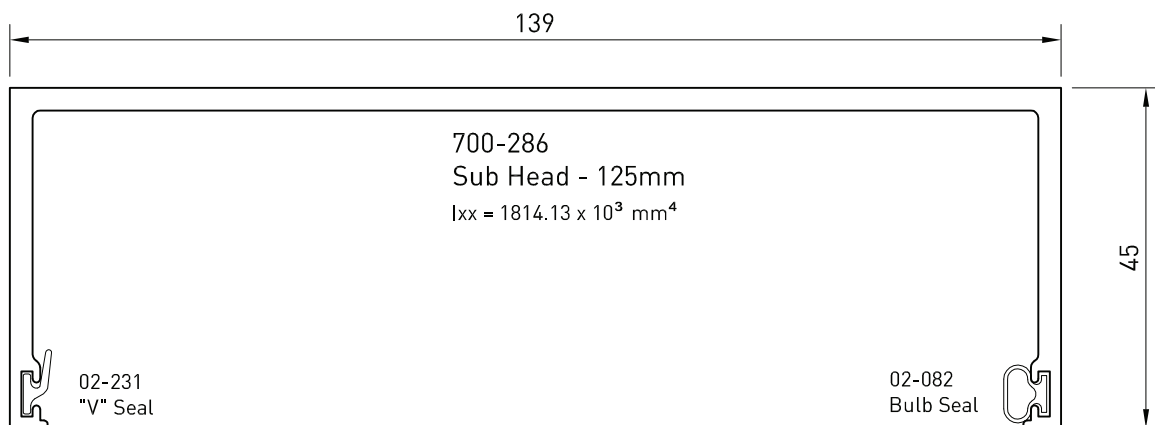
Date: Mar 2013
Replaces: Nov 2012

For 125mm
Frame

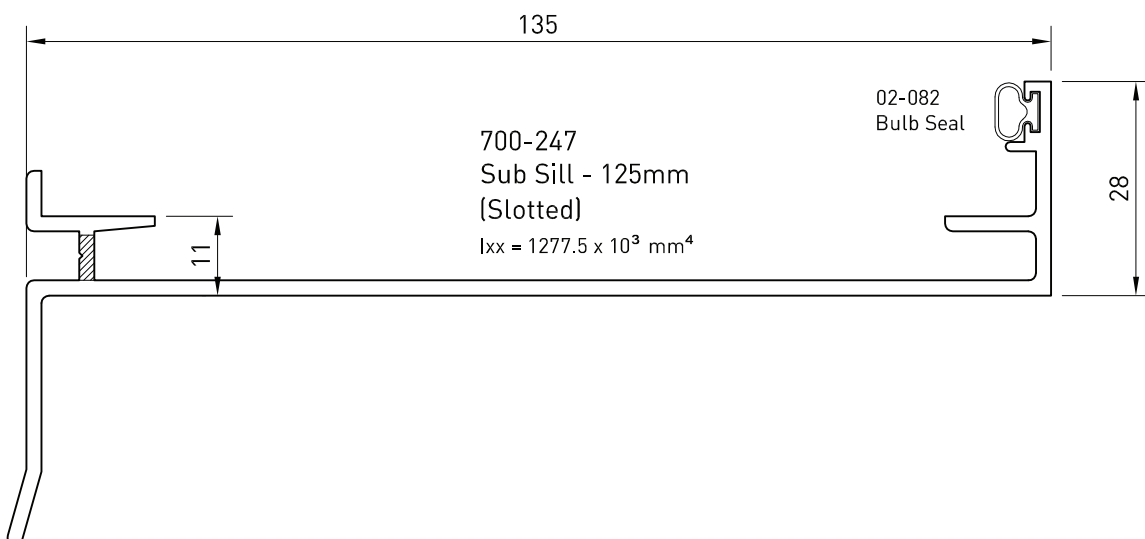
700-230
Sub Head - 2 Part 125mm
 $I_{xx} = 968.17 \times 10^3 \text{ mm}^4$



700-286
Sub Head - 125mm
 $I_{xx} = 1814.13 \times 10^3 \text{ mm}^4$

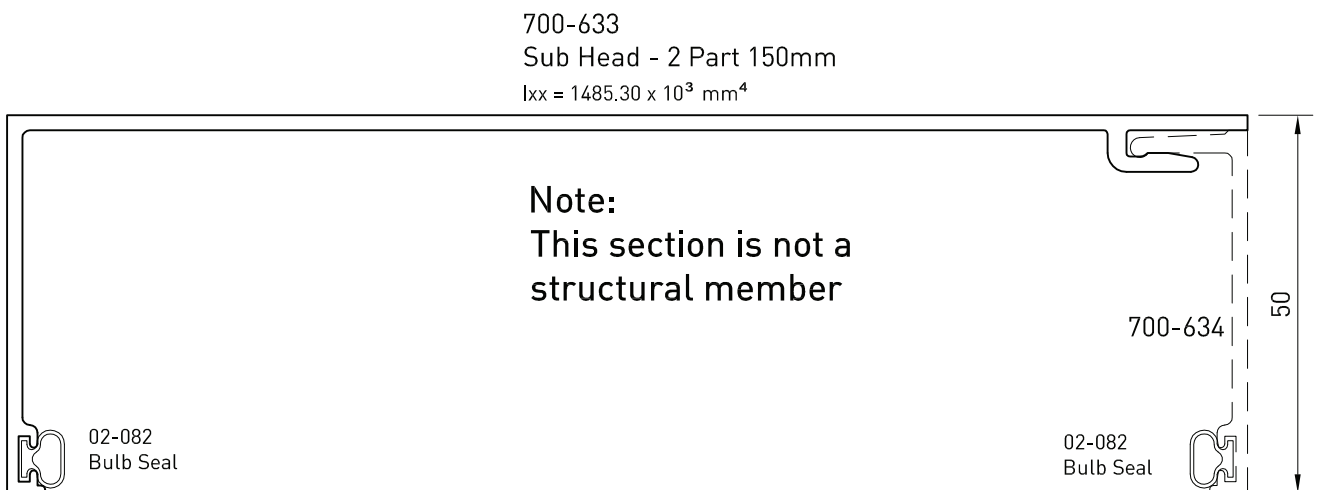
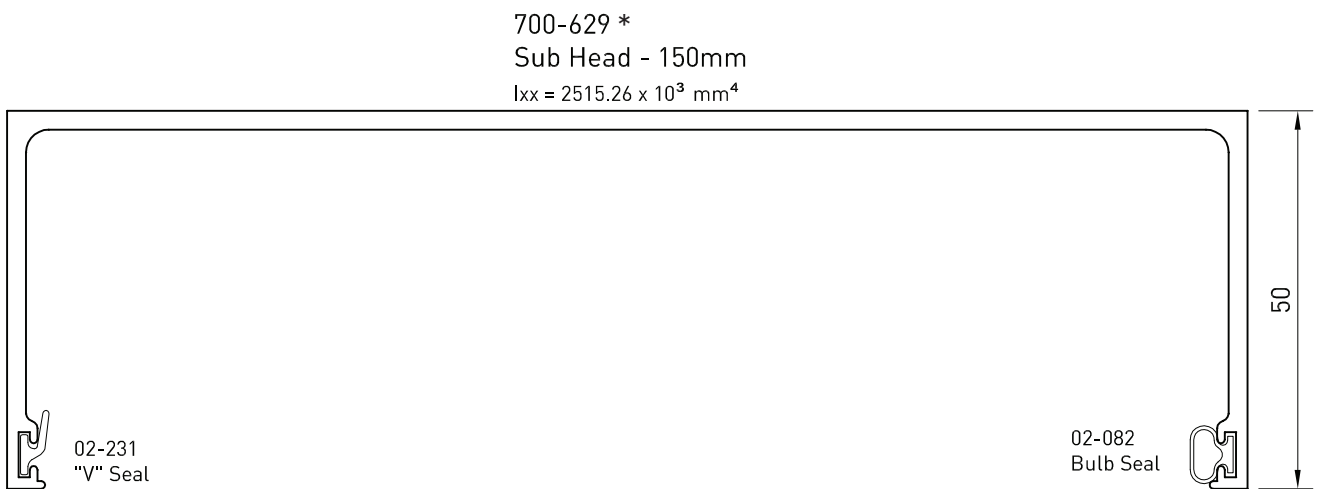
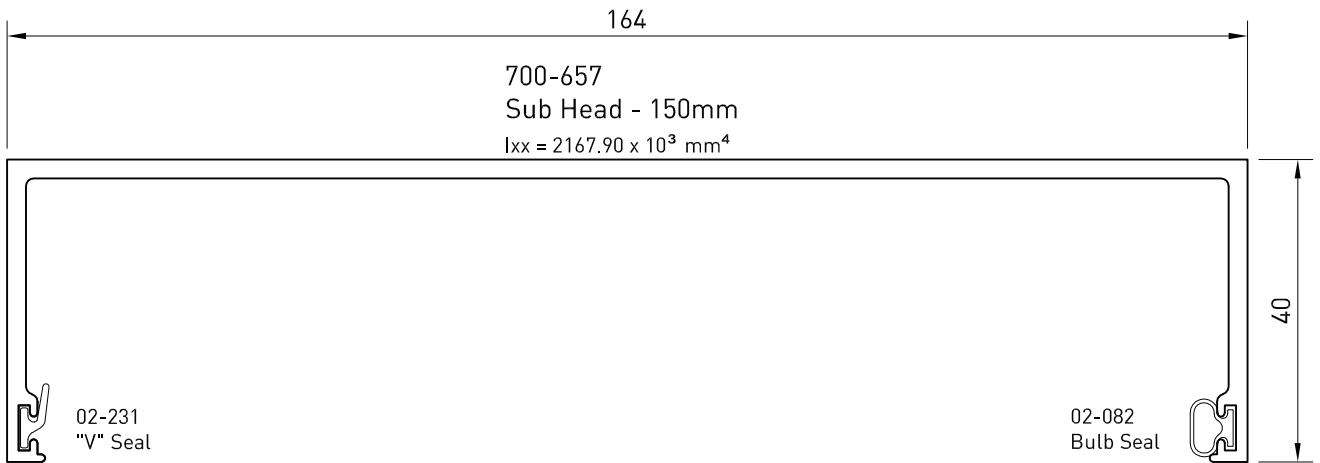


700-247
Sub Sill - 125mm
(Slotted)
 $I_{xx} = 1277.5 \times 10^3 \text{ mm}^4$



Up to date stock availability can be viewed at www.lidco.com.au/indices

For 150mm Frame



*Lead times may apply

Up to date stock availability can be viewed at www.lidco.com.au/indices

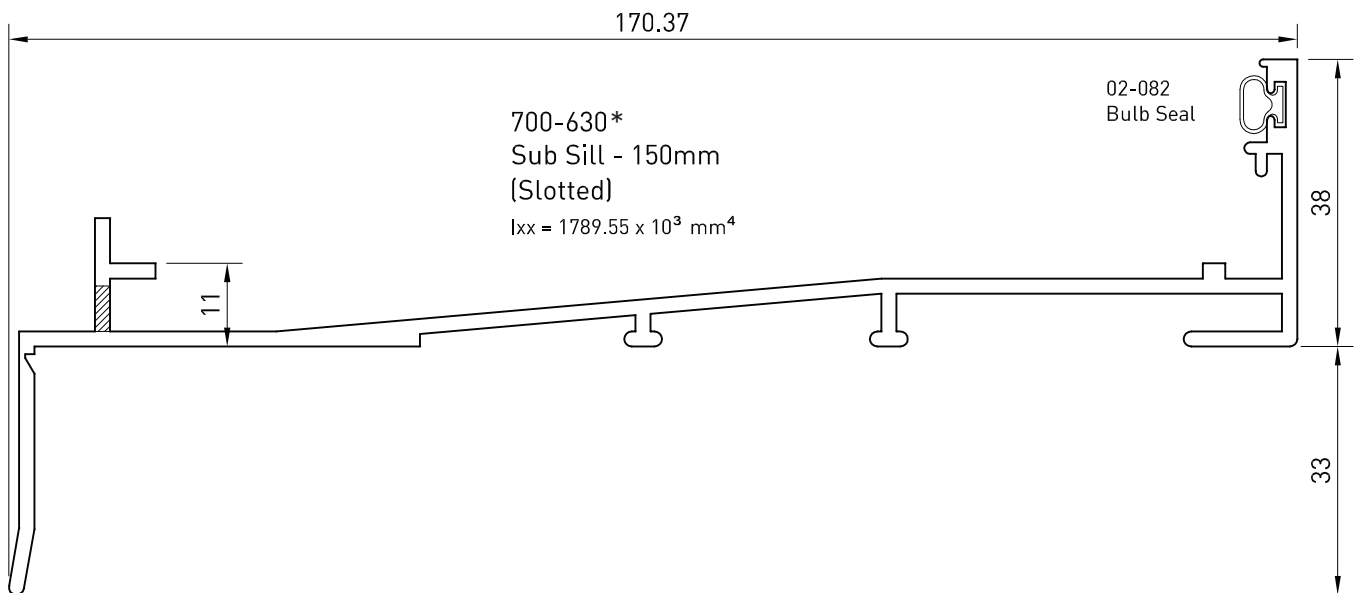
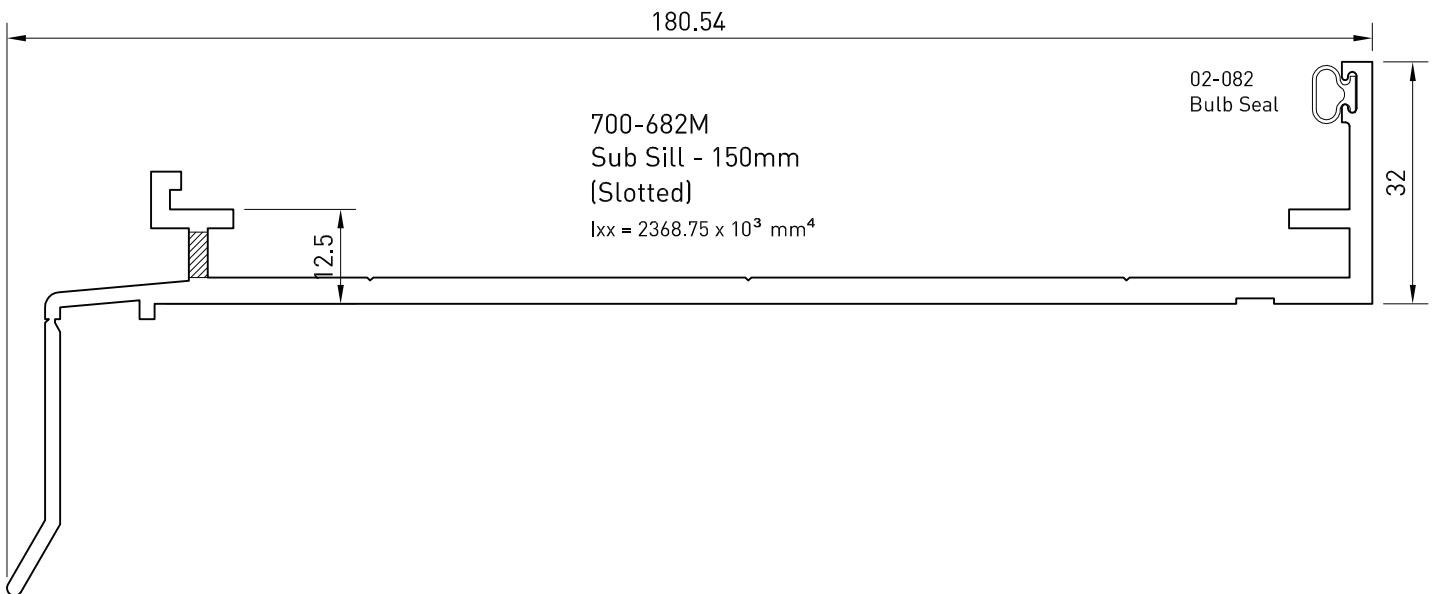
SUB SYSTEM

Sub-Framing



Date: Mar 2013
Replaces: Nov 2012

For 150mm
Frame



*Lead times may apply

Up to date stock availability can be viewed at www.lidco.com.au/indices

SALES ORDERS orders@lidco.com.au F 1300 937 713

TECHNICAL SUPPORT techsupport@lidco.com.au T 1300 663 848

For 200/250mm
Frame

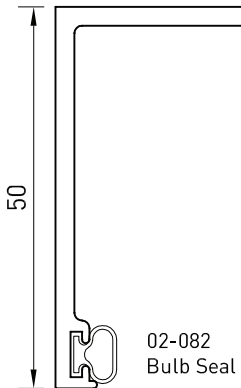
700-719 *
Sub Head - 200/250mm Part B
 $I_{xx} = 1359.29 \times 10^3 \text{ mm}^4$

Note:
This section is not a
structural member

700-634 50

700-718 *
Sub Head - 200/250mm Part A
 $I_{xx} = 1407.99 \times 10^3 \text{ mm}^4$

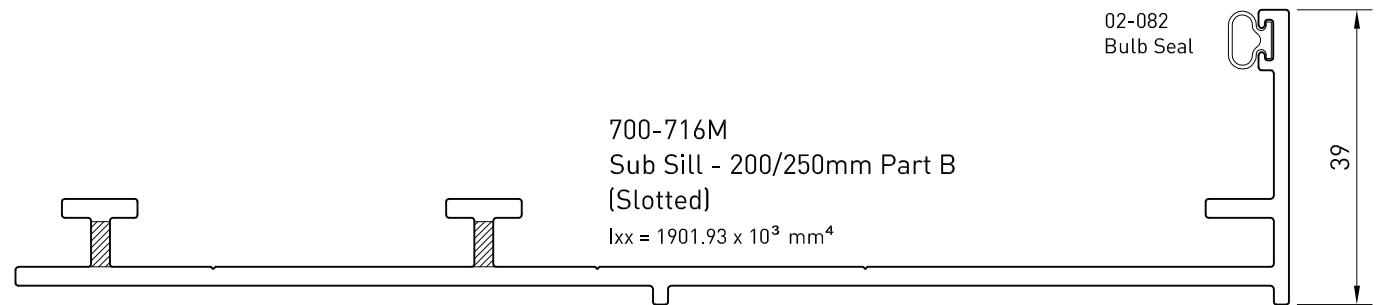
02-082
Bulb Seal



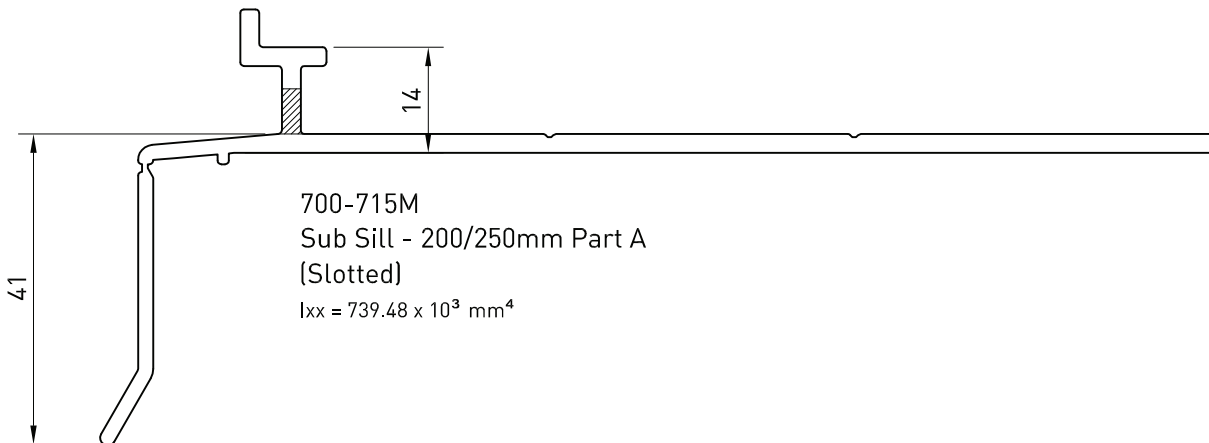
02-082
Bulb Seal

700-716M
Sub Sill - 200/250mm Part B
(Slotted)
 $I_{xx} = 1901.93 \times 10^3 \text{ mm}^4$

39



700-715M
Sub Sill - 200/250mm Part A
(Slotted)
 $I_{xx} = 739.48 \times 10^3 \text{ mm}^4$



*Lead times may apply

Up to date stock availability can be viewed at www.lidco.com.au/indices

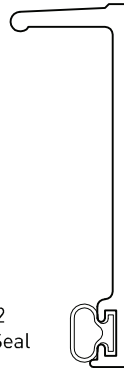
SUB SYSTEM

Sub-Framing



Date: Mar 2013
Replaces: Nov 2012

700-634
Bead



02-082
Bulb Seal

Up to date stock availability can be viewed at www.lidco.com.au/indices

SALES ORDERS orders@lidco.com.au F 1300 937 713

TECHNICAL SUPPORT techsupport@lidco.com.au T 1300 663 848