



ARCHITECTURAL RANGE 716 SYSTEM

Emporia™ Bead Glazed Door

Specifier Guide

The Lidco Specifier's Guide contains technical information, maximum permissible sizes, typical configurations, energy ratings and key design features and benefits.





Overview

Lidco's Emporia™ Bead Glazed Door is a widely used 45mm glazed entrance door ideally suited for shopfronts, offices, showrooms and residential or commercial buildings. The double beaded door is suitable for commercial entrance doors, constructed in hinged, pivot and sliding configurations. Hinged or sliding, it also has the option to be double glazed. The door accepts most standard and specialised hardware and is suitable for use with overhead track and automatic door operators.

Features

- Both horizontal member (top and bottom rails) and vertical members (hinge and meeting/lock stiles) feature snap-on beads to all sides to assist glazing
- The Emporia™ Bead Glazed Door is designed to be easily incorporated in all commercial framing systems
- Door options include hinged (single and double), pivot and sliding combinations (including auto-door operators)
- As a sliding door the sashes are top hung in order to provide as level transition through the entrance as possible
- Door thresholds maintain uninterrupted sight lines across sills, also available as standard and low profile for 100mm framing
- Nursing home threshold available
- Meeting stile is available complete with dual seals
- Due to the width of the lock stile a large range of lock options are possible
- The frame corner joints incorporate custom spigot assemblies
- Three optional rail heights are available and an optional 120mm wide stile is also available
- 50mm mid-rail option is available
- A mid-rail profile can be incorporated in the door for both aesthetics and strength
- Accepts glass thickness from 6mm – 10.38mm and 25mm IGU
- WERS energy rated



Hinged Door

Maximum Panel Height*	3000mm
Maximum Panel Width*	1000mm
Maximum Glass Thickness	≤25mm IGU

Sliding Door

Maximum Panel Height*	2500mm
Maximum Panel Width*	2700mm
Maximum Glass Thickness	≤25mm IGU

*Dependant on track system and door weight



How to Specify

- Aluminium frames to be manufactured using Lidco 716 System: Emporia™ Bead Glazed Door
- Selected framing to be engineered, manufactured and installed in accordance with:
 - AS 2047-2048 (Windows in Buildings)
 - AS/NZS 1170 (Loading Code)
 - AS/NZS 1664 (Aluminium Structures Code)
- Selected glazing to be in line with performance requirements as set out in AS 1288 (Glass in Buildings)
- Size limitations are governed by design intent, glass selection and local wind load and deflection requirements



For any specification assistance please call to speak to one of our friendly and knowledgeable technical sales team on 1300 663 848 or email techsupport@lidco.com.au



716 System Specifier Guide, CAD, PDF files and more are available at www.lidco.com.au

WERS Energy Ratings



Glazing	Cooling	Heating	Uw*	SHGC*	Tvw*
6mm Clear	16%	18%	6.1	0.60	0.62
6.38mm ComfortPlus	51%	24%	4.6	0.38	0.41
10.38mm Laminate	38%	12%	5.9	0.56	0.61
6mm Clear / 12mm Air / 6mm Clear	47%	59%	4.0	0.48	0.51
6.38mm Lam / 12mm Air / 6.38mm CP	47%	60%	3.5	0.41	0.34
6.38mm Lam / 12mm Ar / 6.38mm CP	48%	61%	3.4	0.42	0.34

*Notes: **Uw** is the whole window U-value
SHGC is the whole window solar heat gain coefficient
Tvw is the whole window visible (light) transmittance
More energy ratings available at www.lidco.com.au/energy-ratings



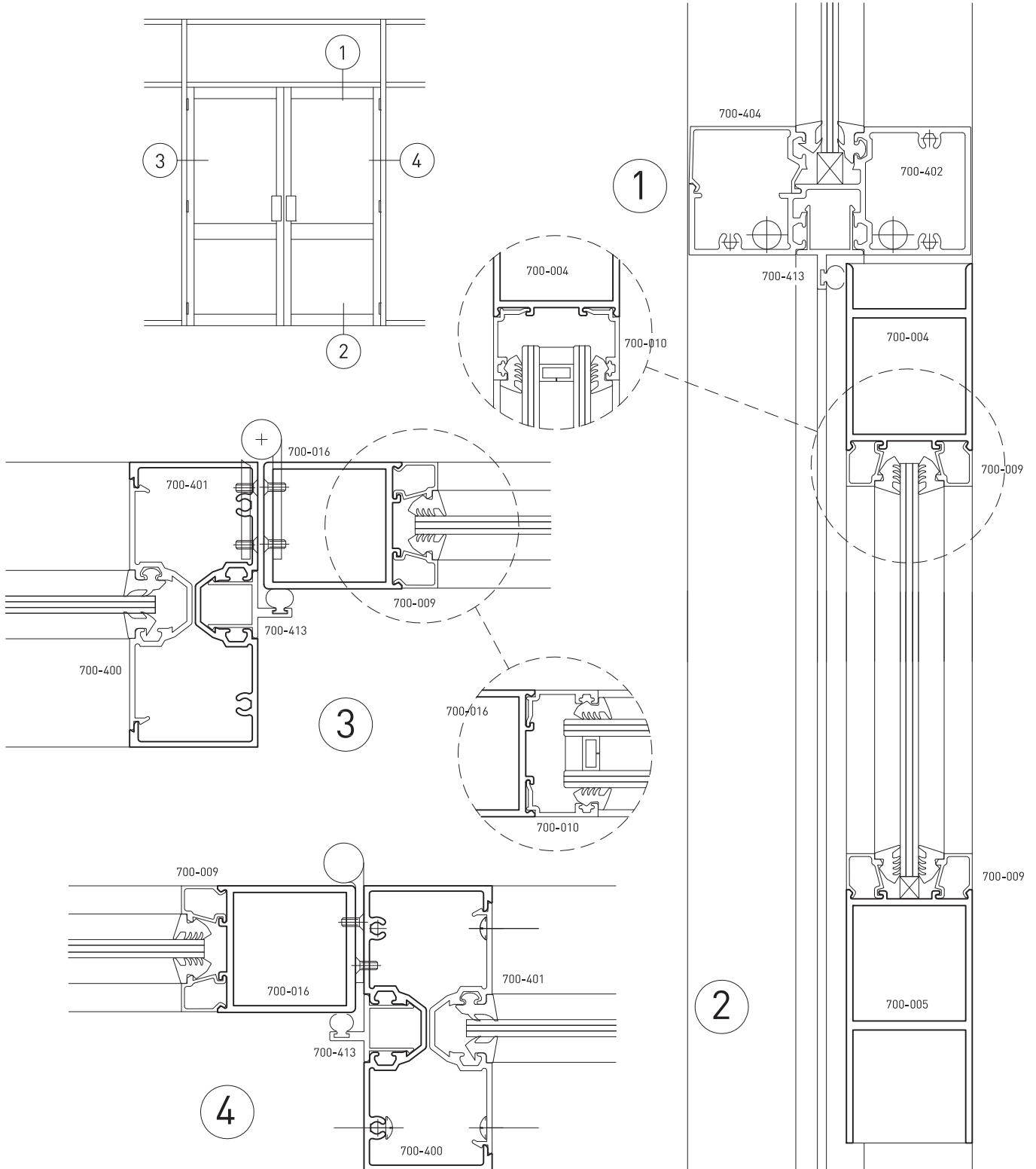
Lidco Corporation Pty Ltd
T 1300 663 848
techsupport@lidco.com.au
www.lidco.com.au

Founded in Australia over 65 years ago Lidco is a leading designer and supplier of contemporary and high performance residential and commercial aluminium window and door systems

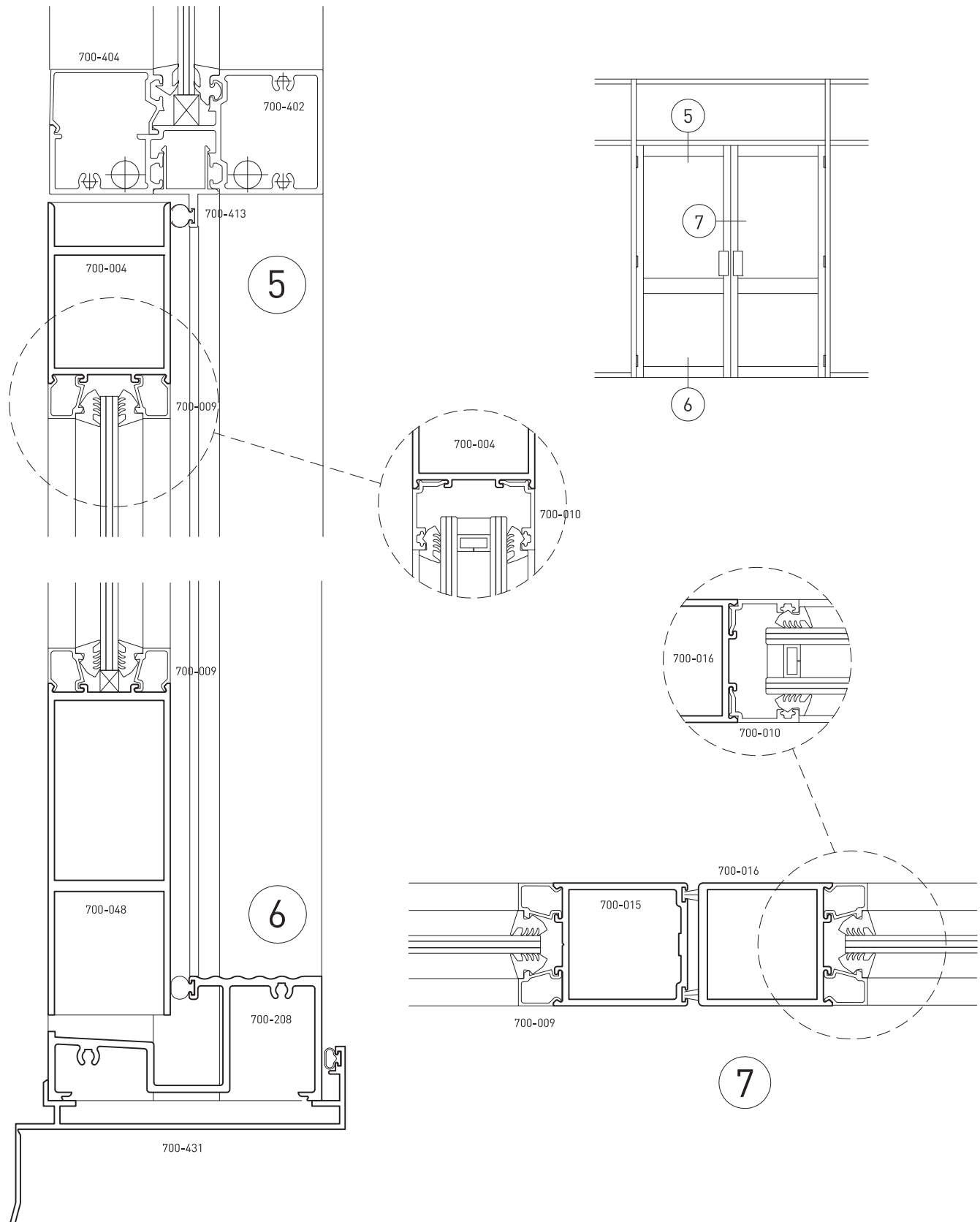
© 2013 Lidco Corporation Pty Ltd

Your nearest supplier:

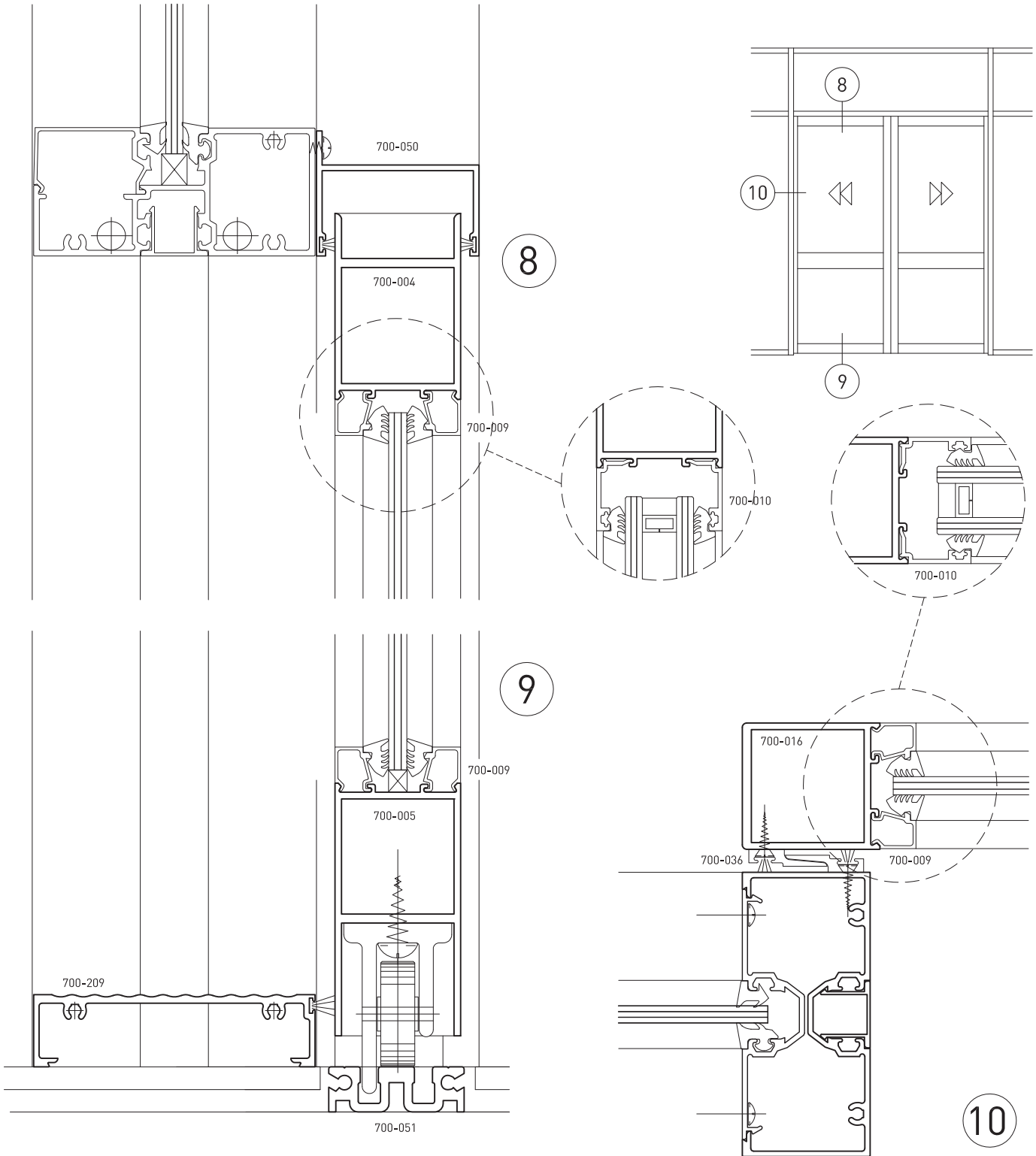
Typical Configurations



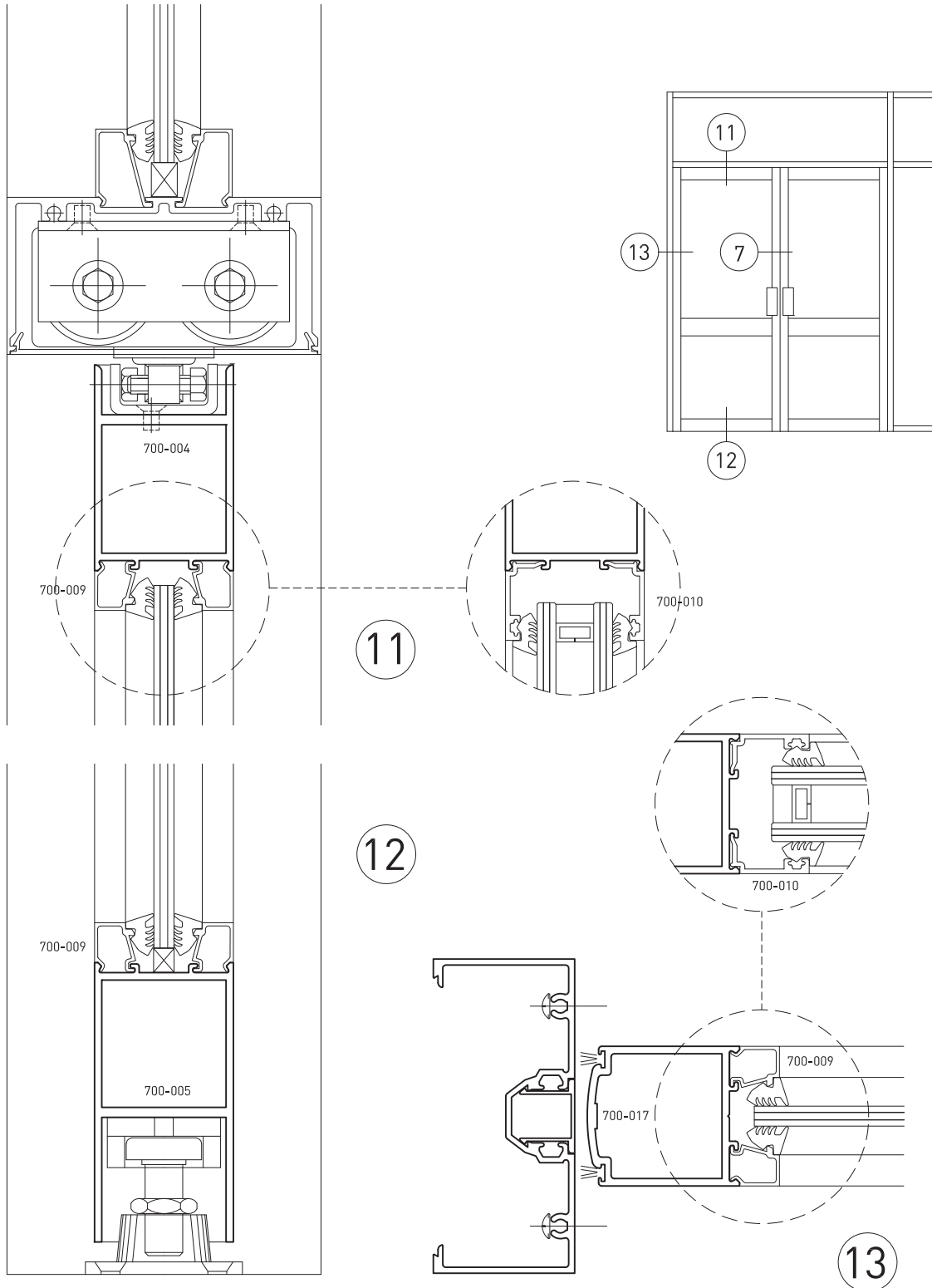
Typical Configurations



Typical Configurations



Typical Configurations



Typical Configurations

NOTE: USE 01-244 TOP HUNG ROLLER

