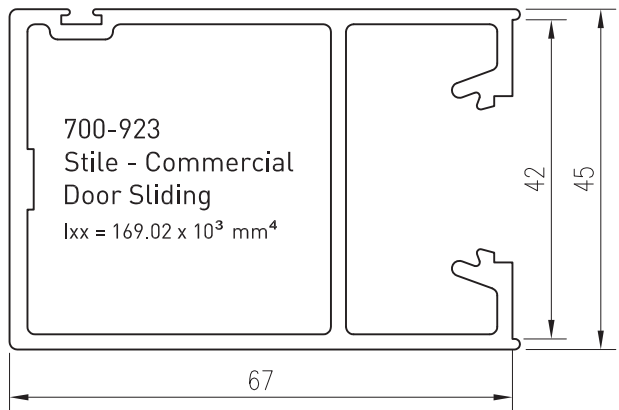
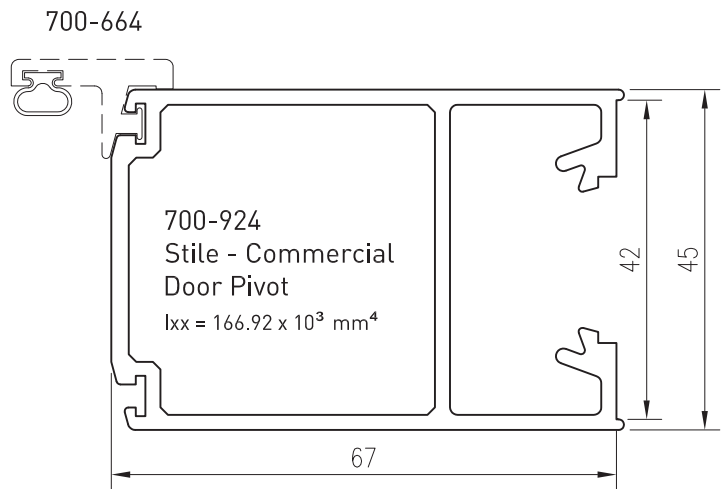
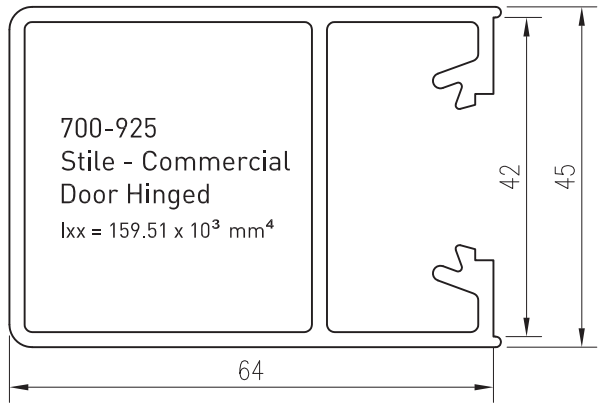


NOTE: USE 05-117 CORNER JOINERY PACK



Up to date stock availability can be viewed at [www.lidco.com.au/indices](http://www.lidco.com.au/indices)

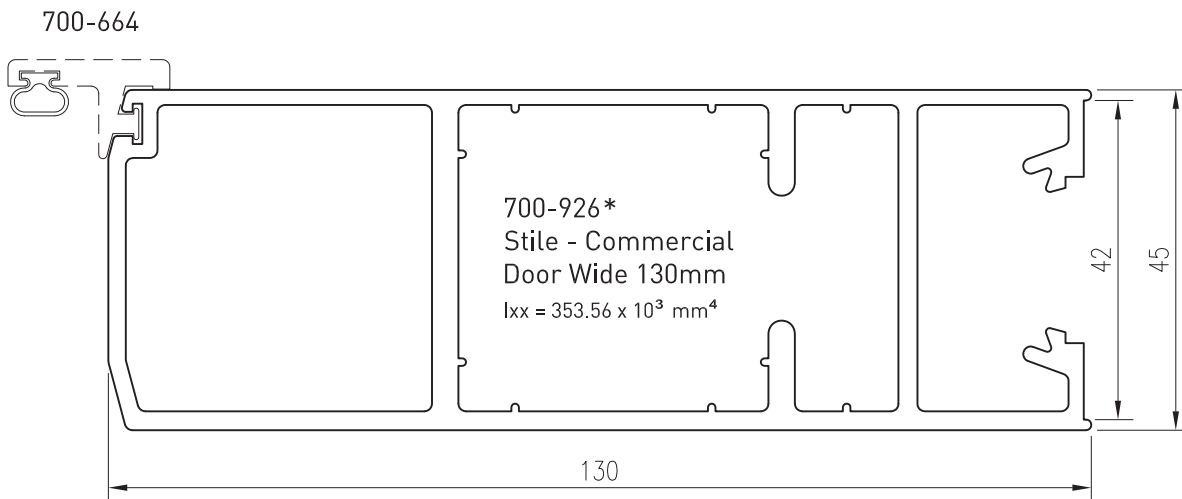
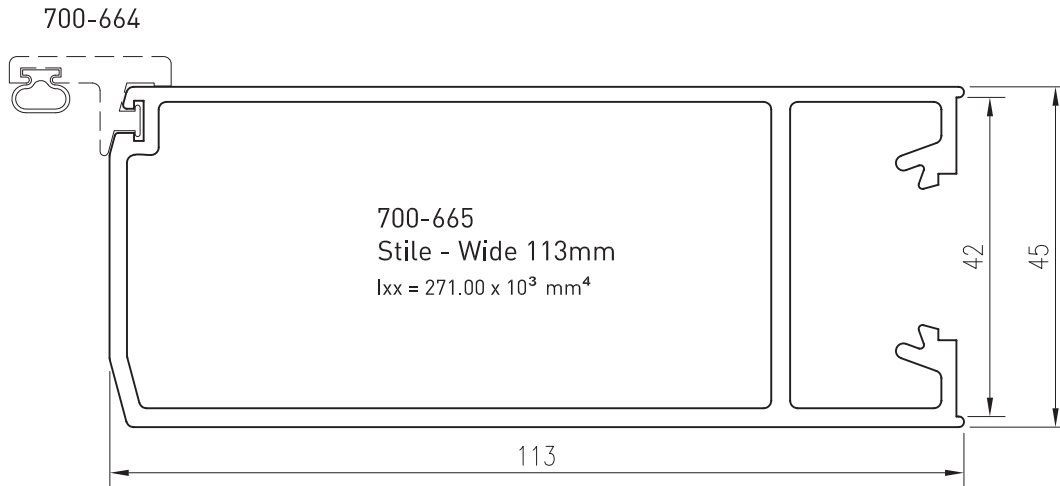
# COMMERCIAL RANGE 717 SYSTEM

## Emporia™ Pocket Glazed Door



Date: Feb 2013  
Replaces: Apr 2012

NOTE: USE 05-117 CORNER JOINERY PACK

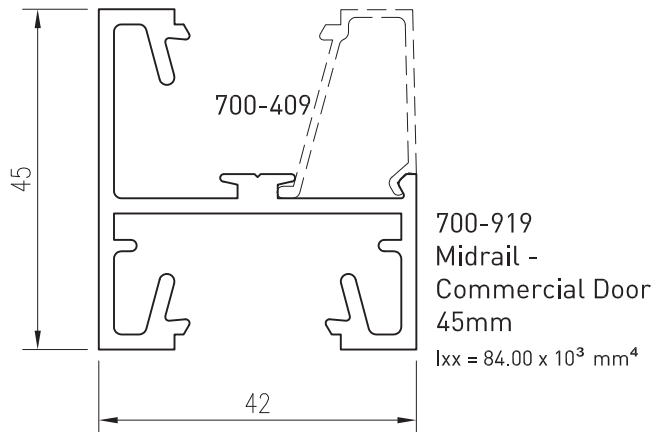
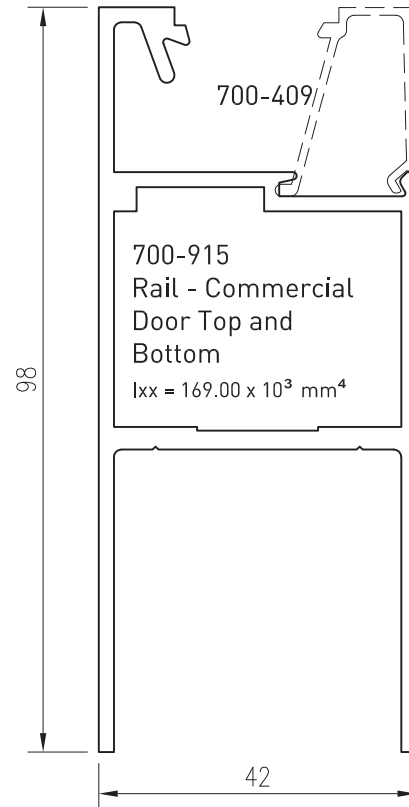
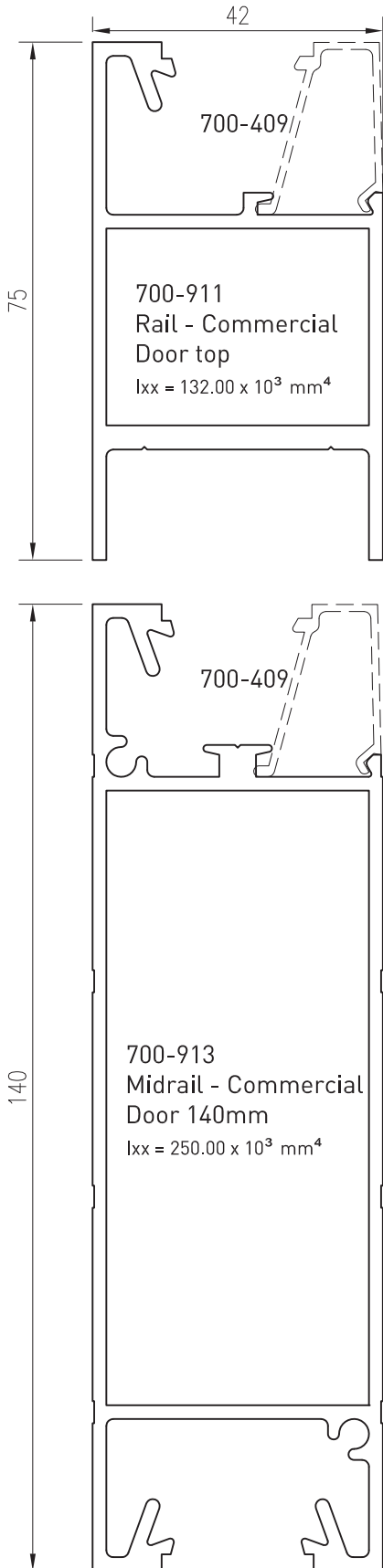


\*Lead times may apply

Up to date stock availability can be viewed at [www.lidco.com.au/indices](http://www.lidco.com.au/indices)

SALES ORDERS [orders@lidco.com.au](mailto:orders@lidco.com.au) F 1300 937 713

TECHNICAL SUPPORT [techsupport@lidco.com.au](mailto:techsupport@lidco.com.au) T 1300 663 848



NOTE: USE 05-117 CORNER JOINERY PACK

Up to date stock availability can be viewed at [www.lidco.com.au/indices](http://www.lidco.com.au/indices)

# COMMERCIAL RANGE 717 SYSTEM

## Emporia™ Pocket Glazed Door



Date: Sept 2013  
Replaces: Feb 2013



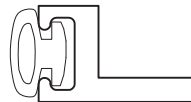
700-409  
Bead

02-082  
Use bulb seal only for hinged  
assembly  
Use mohair for bi part  
assembly

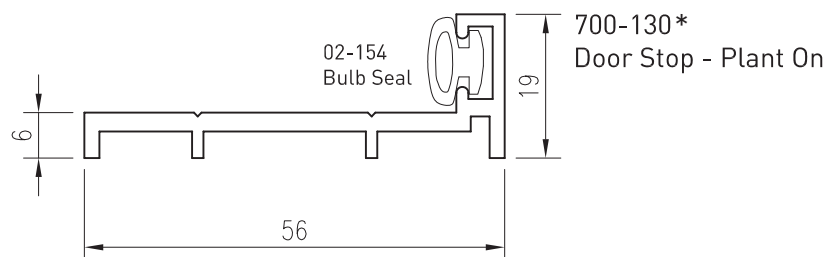


700-664  
Adaptor - Rebate

02-154  
Bulb Seal



400-931  
Door Stop - Plant On

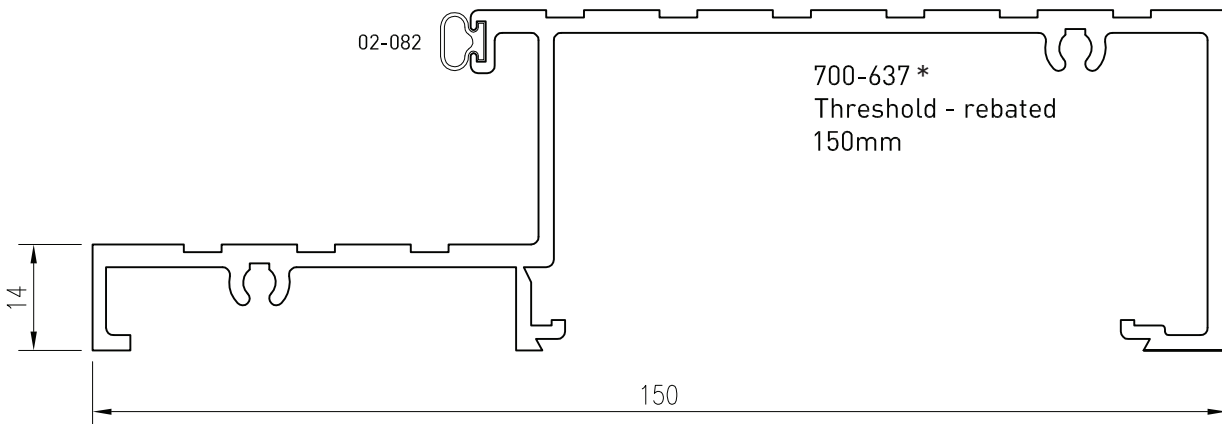
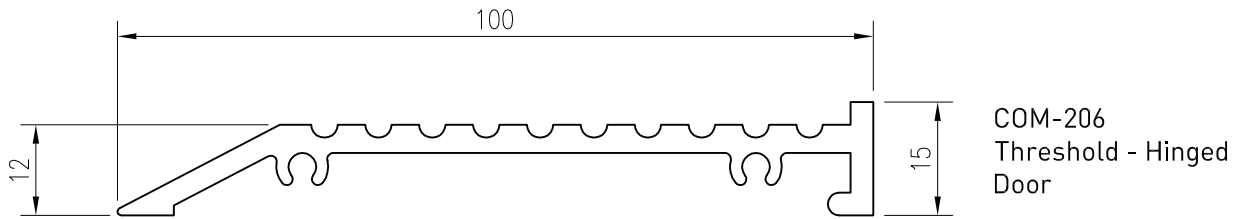
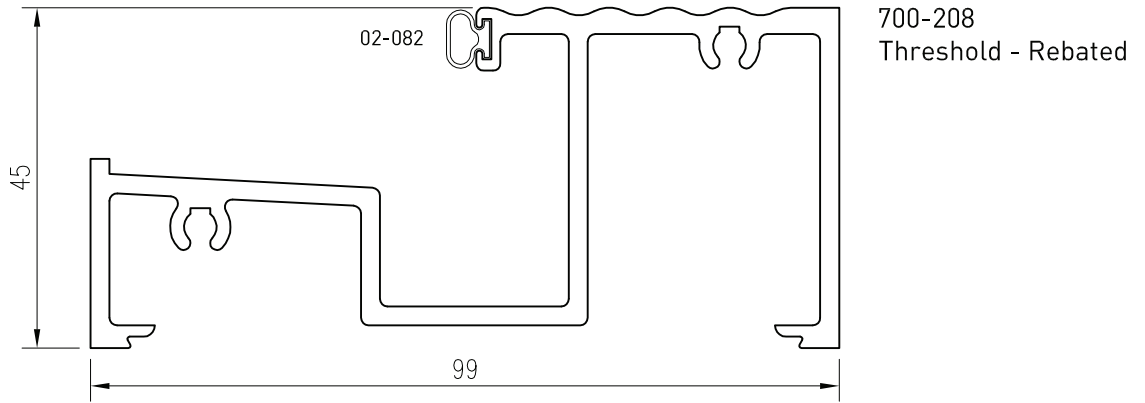


\*Lead times may apply

Up to date stock availability can be viewed at [www.lidco.com.au/indices](http://www.lidco.com.au/indices)

SALES ORDERS [orders@lidco.com.au](mailto:orders@lidco.com.au) F 1300 937 713

TECHNICAL SUPPORT [techsupport@lidco.com.au](mailto:techsupport@lidco.com.au) T 1300 663 848

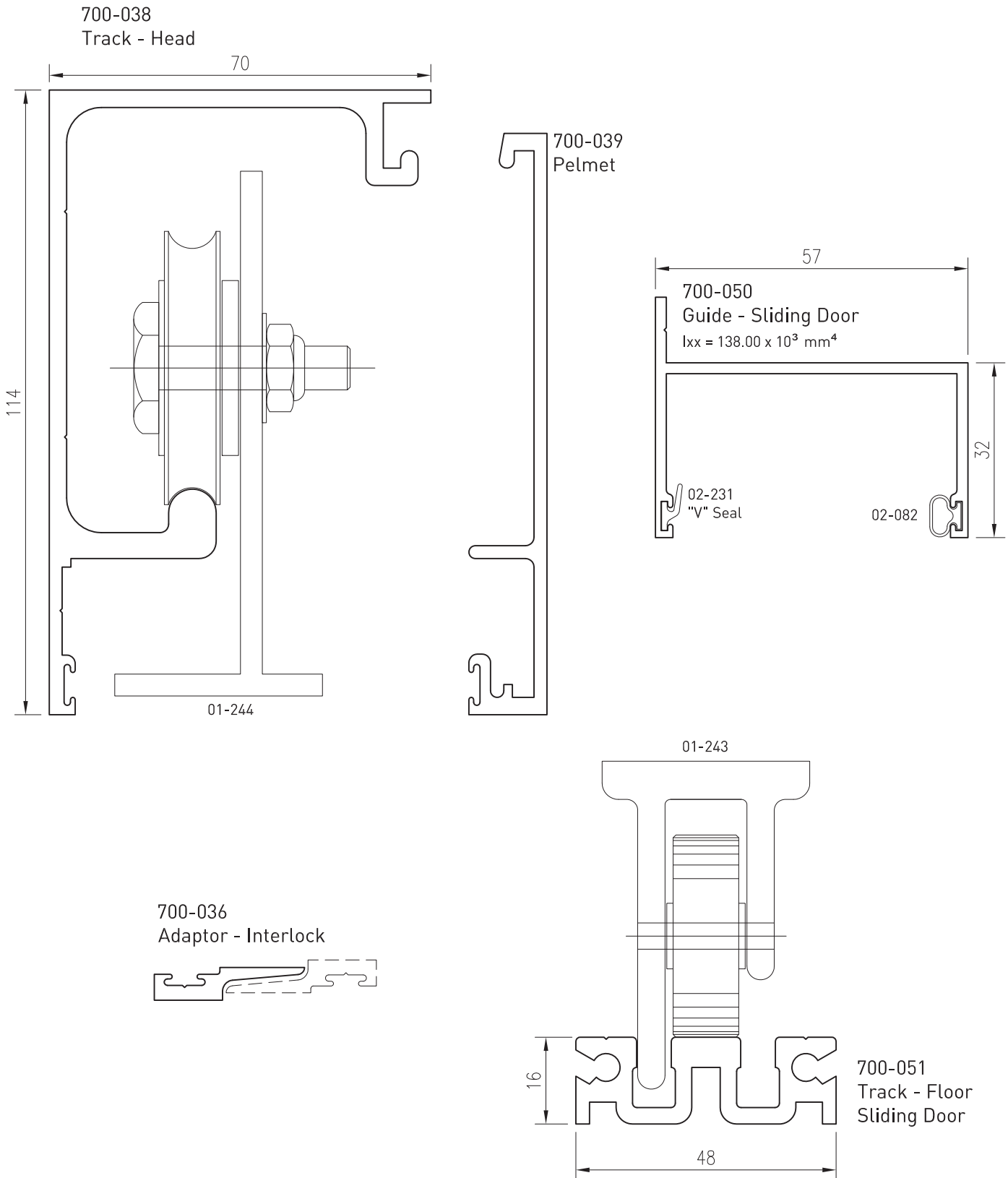


\*Lead times may apply

Up to date stock availability can be viewed at [www.lidco.com.au/indices](http://www.lidco.com.au/indices)

# COMMERCIAL RANGE 717 SYSTEM

## Emporia™ Pocket Glazed Door



Up to date stock availability can be viewed at [www.lidco.com.au/indices](http://www.lidco.com.au/indices)