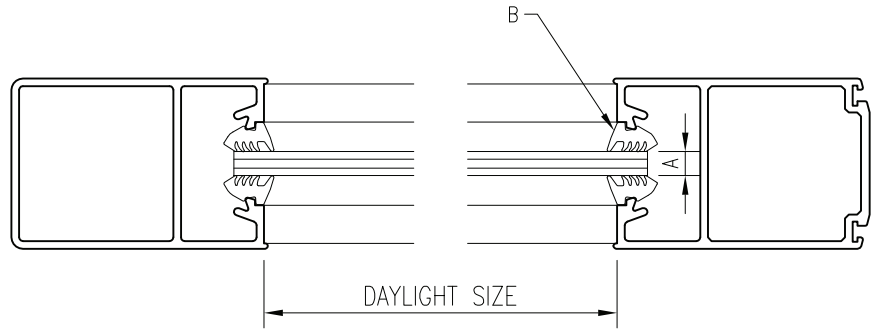


**Glazing Details**



METHOD:

Dry glazed using roll-in wedges both sides.

GLASS:

6mm, 8mm & 10mm glass using appropriate wedges.

GLASS CUTTING SIZE:

(with Midrail)

Height = daylight size + 25mm (above midrail)

Height = daylight size + 16mm (below midrail)

Width = daylight size + 16mm

(No Midrail)

Height = daylight size + 16mm

Width = daylight size + 16mm

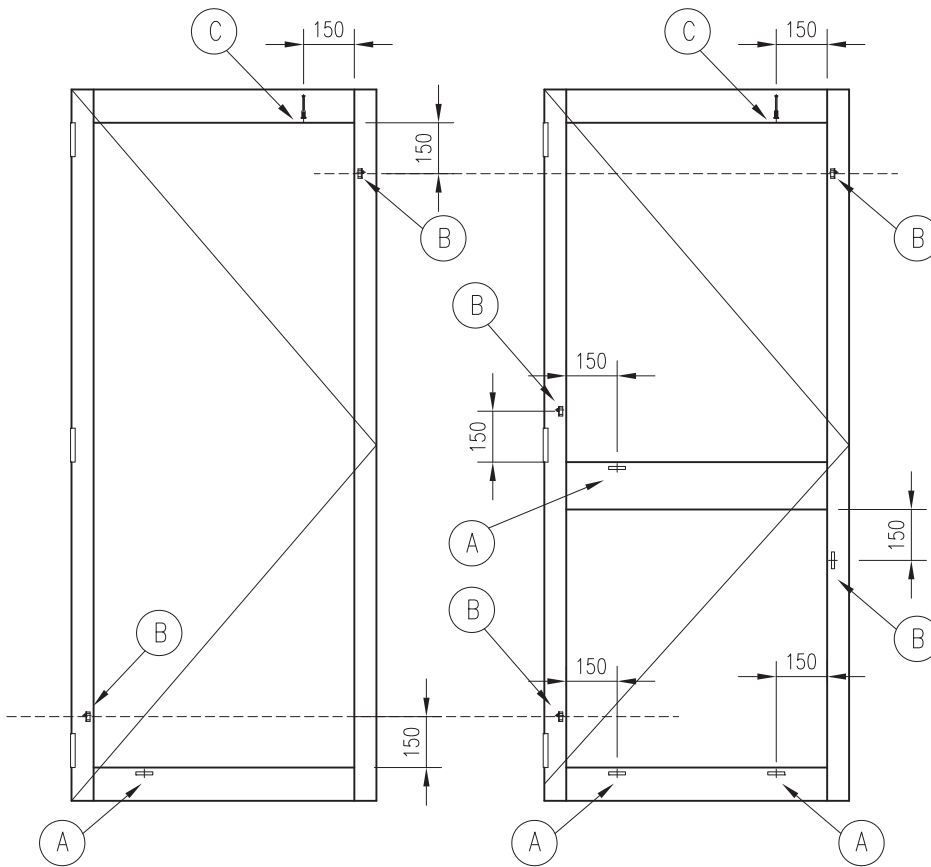
MATERIALS:

A (Glass Thickness)	B (Roll-in Wedge)
6mm/6.38mm	04-108
10mm	04-105

# COMMERCIAL RANGE 717 SYSTEM

## Emporia™ Pocket Glazed Door

### Glazing Details



FOR SERIES 717 POCKET GLAZED DOORS  
PARTS LIST

- A - GLAZING BLOCK
- B - ROTATING GLASS STOP OR SETTING BLOCK
- C - TOP RAIL GLASS ADJUSTER

