

PREMIUM RANGE 372 SYSTEM

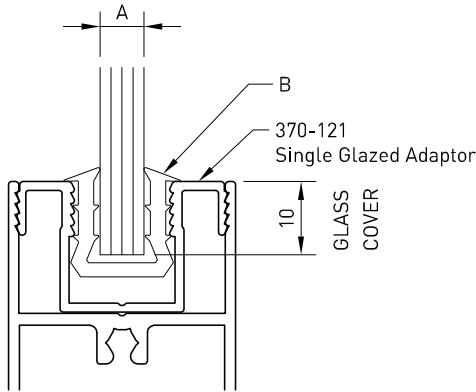
DuoTherm™ Sliding/Stacking Window

Not to scale

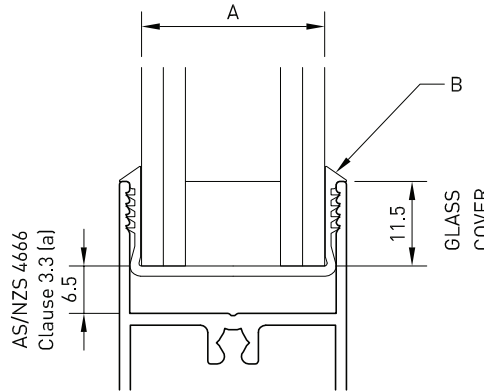
Glazing Detail

A = Glass Thickness

B = Glazing Channel



Max Glass Thickness = 10.38mm



Max Glass Thickness = 24.76mm

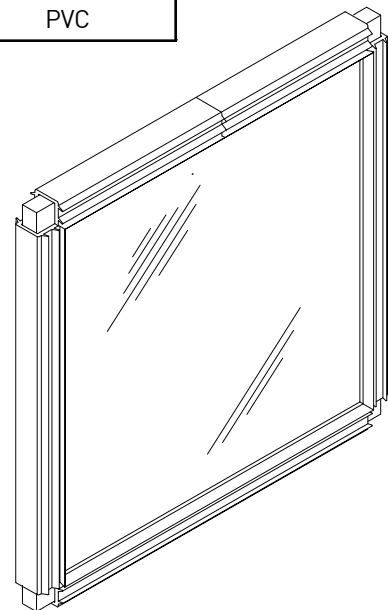
A [Glass Thickness]	Glass Thickness Tolerance	B [Glazing Channel]	Material
4mm	±0.4	04-545	PVC
5mm	±0.4	04-067	PVC
6mm/6.38mm	±0.4	04-065	PVC
8mm	±0.4	04-217	PVC
10mm/10.38mm	±0.4	04-209	PVC
20mm	±0.4	04-011	PVC
24mm	±0.2	04-010	PVC
24.8mm	±0.1	04-009	PVC

Starting from the top centre of glass, assemble glazing rubber channel around glass applying even pressure.

Glazing rubber channel will be required to be slit at corners, taking care not to cut all the way through.

Assemble vertical stile/interlock then horizontal rails around glazing rubber channel. Check assembly for squareness, slight out of squareness may be corrected carefully knocking one corner with a rubber mallet until the assembly becomes square.

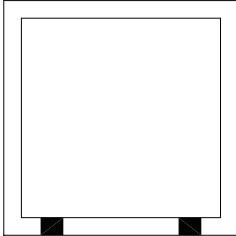
Note: Corner Joint Blocks and Rollers to be placed in position prior to assembly of window/door.



Not to scale

Glazing Detail

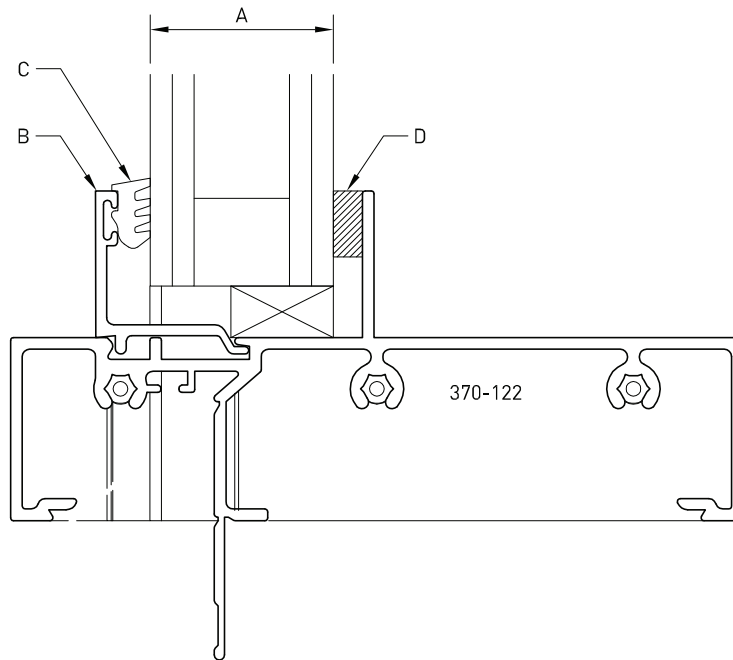
Fixed Window -
Glazing Block Locations



Check and ensure frame is square. Run glazing tape around the full perimeter of glazing leg.
Position glazing blocks to be either length/8 or 150mm whichever ever greater and locate glass ensuring alignment to provide equal cover on all sides.
Then block glass as shown ensuring sash is square.
Notch beads where required to clear glazing blocks.
Clip horizontal glazing beads in first then the vertical beads.

Notes: Glazing blocks length must be 25mm per meter square with a minimum 25mm.

For glazing tape and wedge selection, refer to the following tables.



A (Glass Thickness)	B (Bead)	C (Glazing Wedge)	D (Glazing Tape)
5mm	400-653	04-142	4.8x9mm
6mm/6.38mm	400-653	04-108	4.8x9mm
8mm	400-653	04-142	1.6x9mm
10mm	400-653	02-082	3.2x9mm
18mm	400-447	04-116	3.2x9mm
20mm	400-447	04-116	1.6x9mm
24mm	400-405	02-082	4.8x9mm
24.8mm	400-405	02-082	4.8x9mm