



## COMMERCIAL RANGE 717 SYSTEM

Emporia™ Pocket Glazed Door

### Specifier Guide

---

The Lidco Specifier's Guide contains technical information, maximum permissible sizes, typical configurations, energy ratings and key design features and benefits.





## Overview

Lidco's Emporia™ Pocket Glazed Door is a widely used 45mm glazed entrance door ideally suited for shopfronts, offices, showrooms and residential or commercial buildings. Hinged or sliding, this door has excellent security features. It provides enhanced security as externally there are no glazing beads, thus preventing the glass from being removed from the outside. The door is glazed internally with removable beads fixed only to the internal sides of horizontal members (top and bottom rails); the vertical members (hinge and meeting/lock stiles) incorporate a glazing pocket to directly accept the vertical sides of the glass panel. It accepts most standard and specialised hardware and is suitable for use with overhead track and automatic door operators.



## Features

- The Emporia™ Pocket Glazed Door is designed to be easily incorporated in all commercial framing systems
- Door options include hinged (single and double), pivot and sliding combinations (including auto-door operators)
- As a sliding door the sashes are top hung in order to provide a level transition through the entrance
- Door threshold options allow for either inward opening or outward opening door configurations
- Door thresholds maintain uninterrupted sight lines across sills, available also as standard and low profile for 100mm framing
- Nursing home threshold available
- Due to the width of the lock stile a large range of lock options are possible
- The frame corner joints incorporate custom spigots assemblies
- Optional heavy duty stile is available
- A 140mm mid-rail profile can be incorporated into the door for both aesthetics and strength
- Accepts glass thickness from 6mm – 10.38mm

### Hinged Door

Maximum Panel Height*	3000mm
Maximum Panel Width*	1000mm
Maximum Glass Thickness	≤10.38mm

### Sliding Door

Maximum Panel Height*	2500mm
Maximum Panel Width*	2700mm
Maximum Glass Thickness	≤10.38mm

\*Dependant on track system and door weight



## How to Specify

- Aluminium frames to be manufactured using Lidco 717 System: Emporia™ Pocket Glazed Door
- Selected framing to be engineered, manufactured and installed in accordance with:
  - AS 2047-2048 (Windows in Buildings)
  - AS/NZS 1170 (Loading Code)
  - AS/NZS 1664 (Aluminium Structures Code)
- Selected glazing to be in line with performance requirements as set out in AS 1288 (Glass in Buildings)
- Size limitations are governed by design intent, glass selection and local wind load and deflection requirements



For any specification assistance please call to speak to one of our friendly and knowledgeable technical sales team on 1300 663 848 or email [techsupport@lidco.com.au](mailto:techsupport@lidco.com.au)



717 System Specifier Guide, CAD, PDF files and more are available at [www.lidco.com.au](http://www.lidco.com.au)



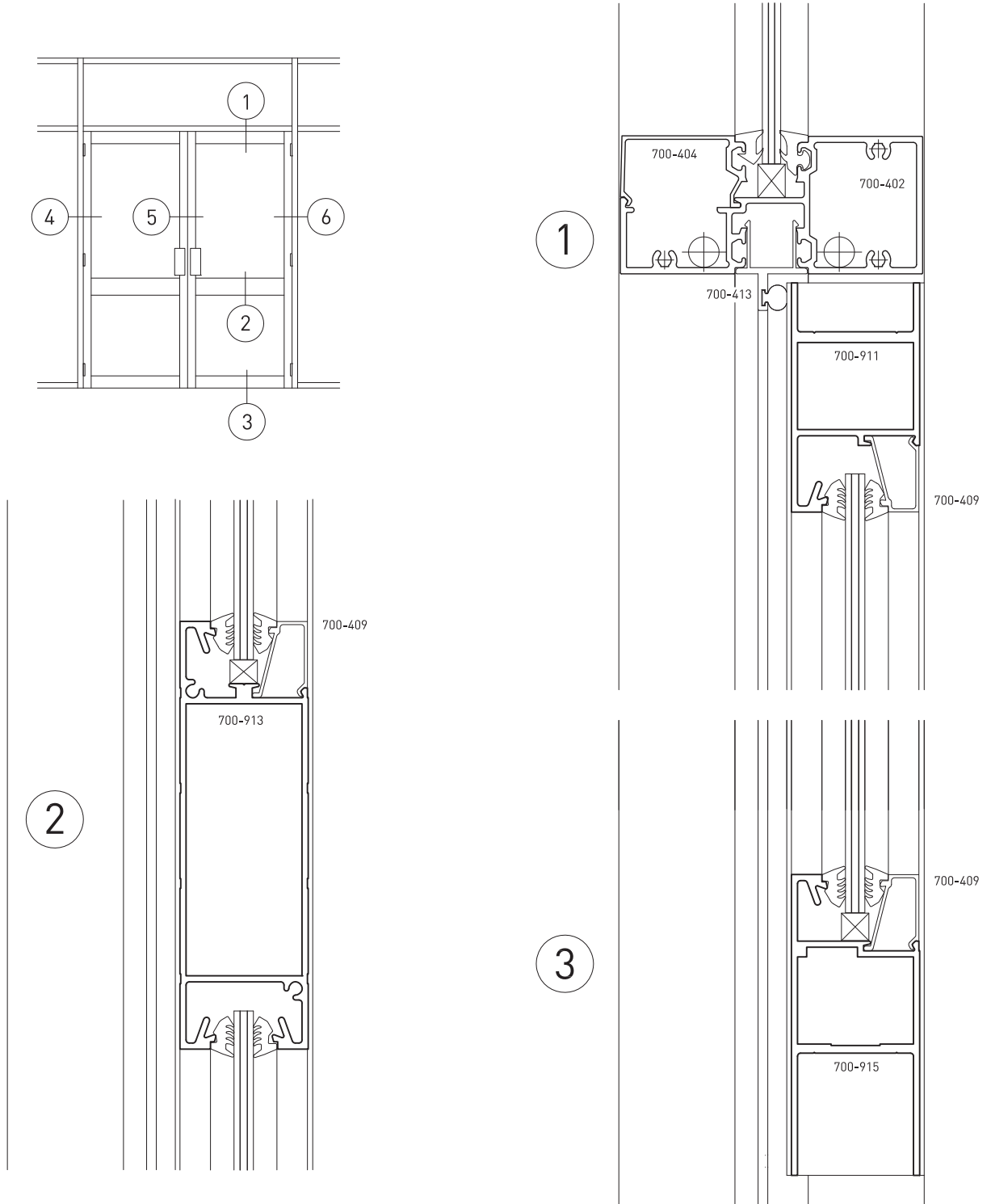
**Lidco Corporation Pty Ltd**  
T 1300 663 848  
[techsupport@lidco.com.au](mailto:techsupport@lidco.com.au)  
[www.lidco.com.au](http://www.lidco.com.au)

Founded in Australia over 65 years ago Lidco is a leading designer and supplier of contemporary and high performance residential and commercial aluminium window and door systems

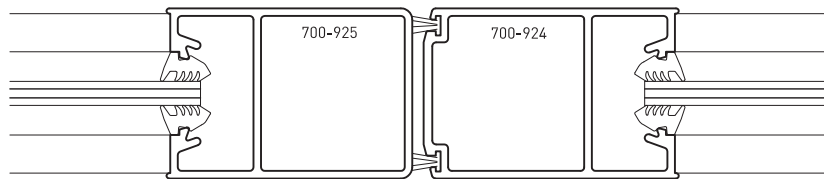
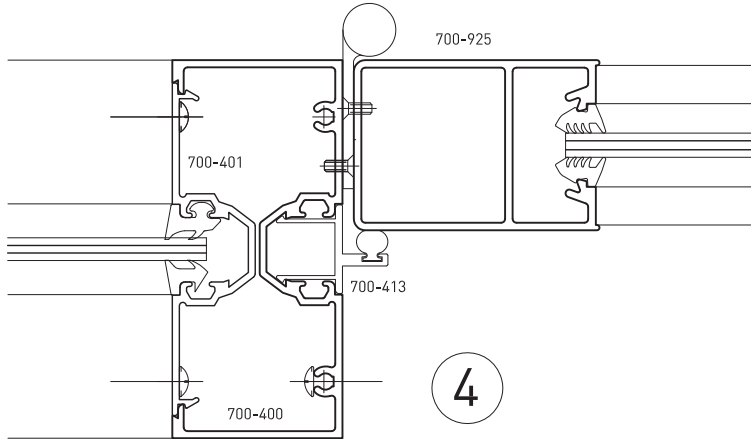
© 2013 Lidco Corporation Pty Ltd

Your nearest supplier:

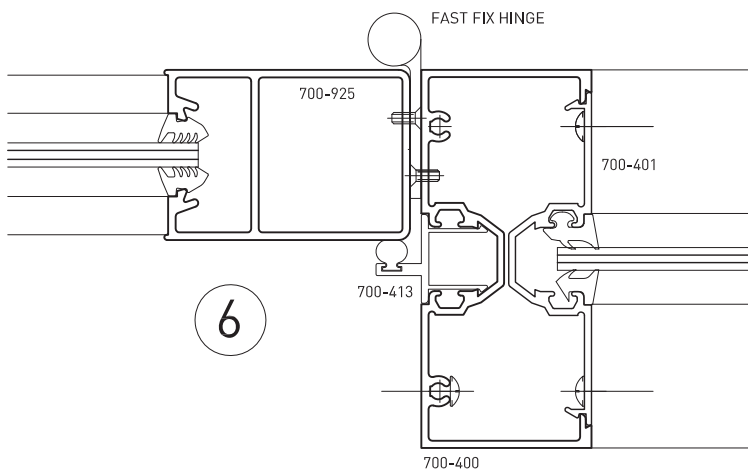
**Typical Configurations**



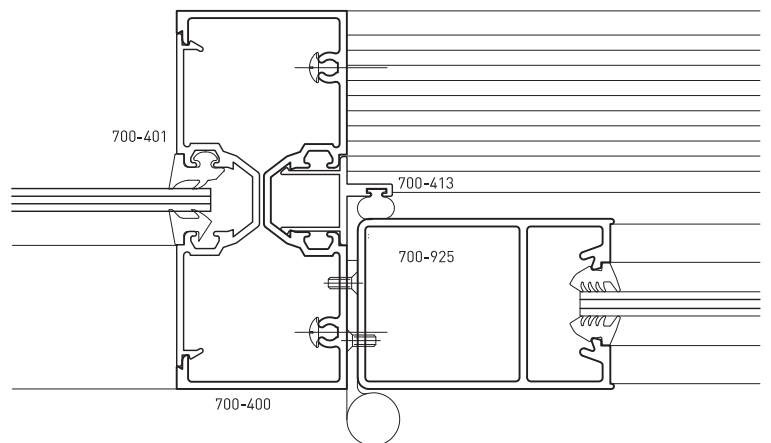
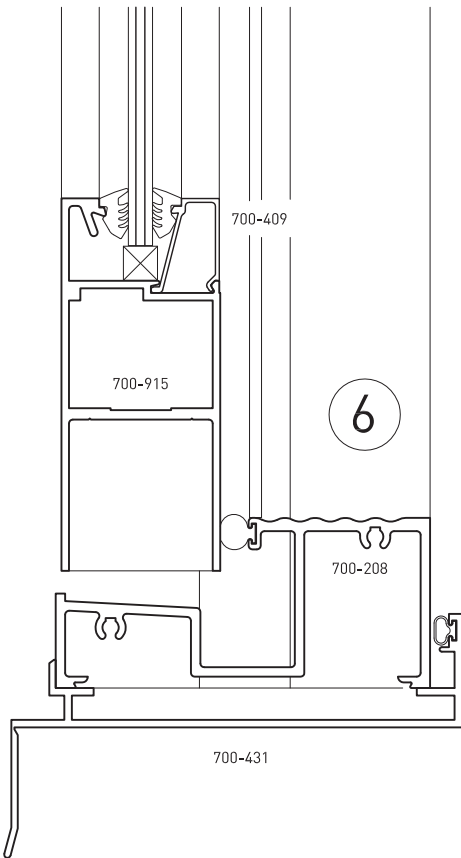
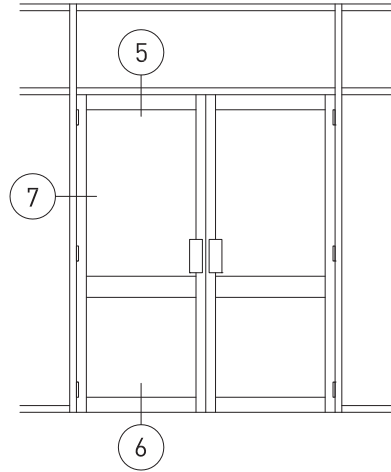
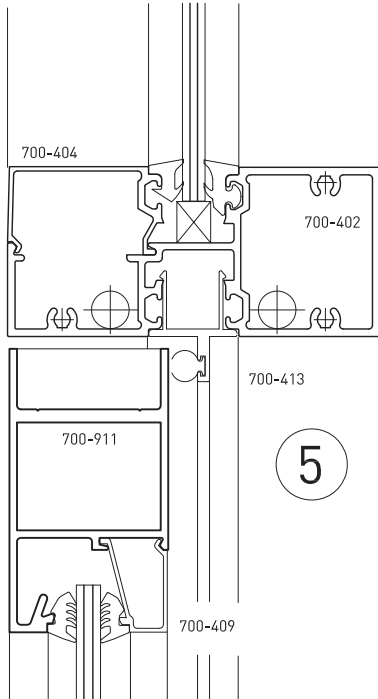
### Typical Configurations



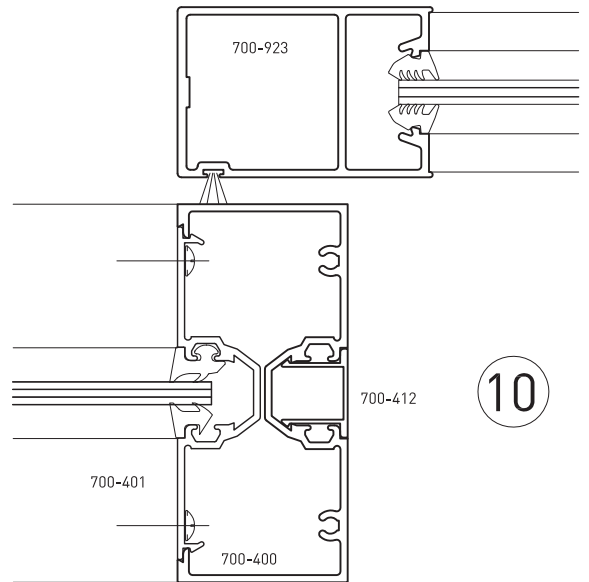
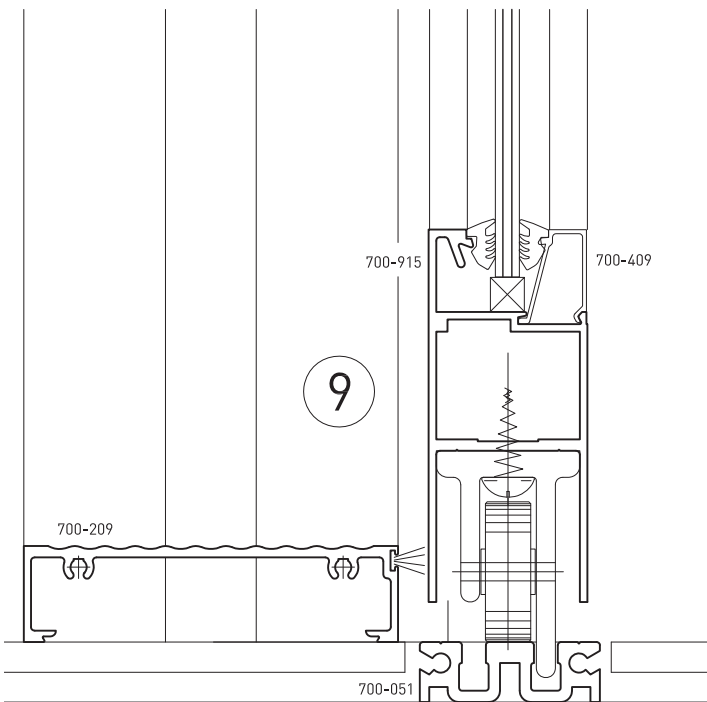
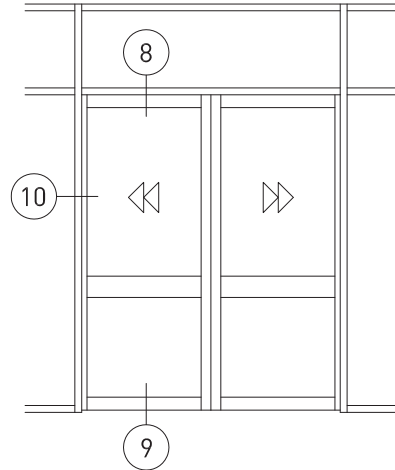
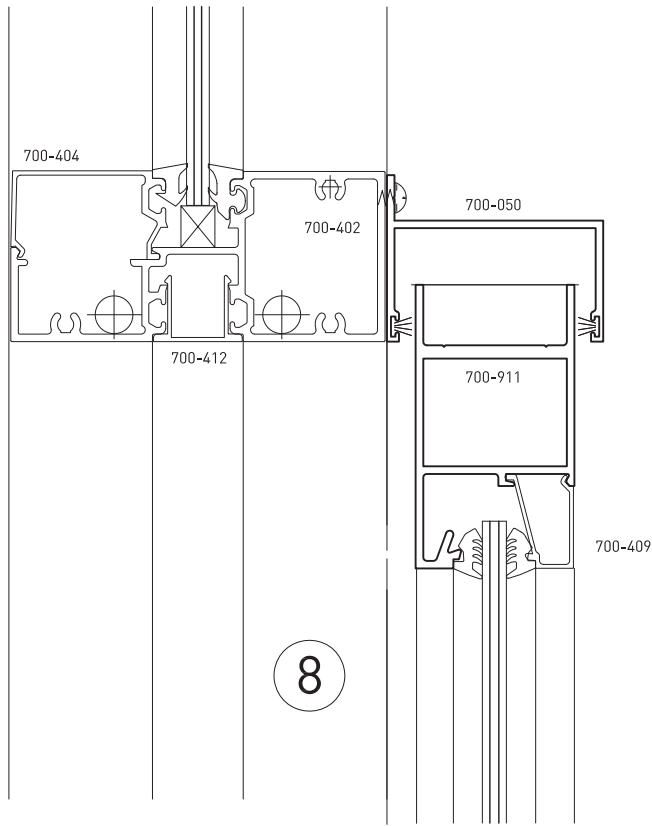
5



**Typical Configurations**

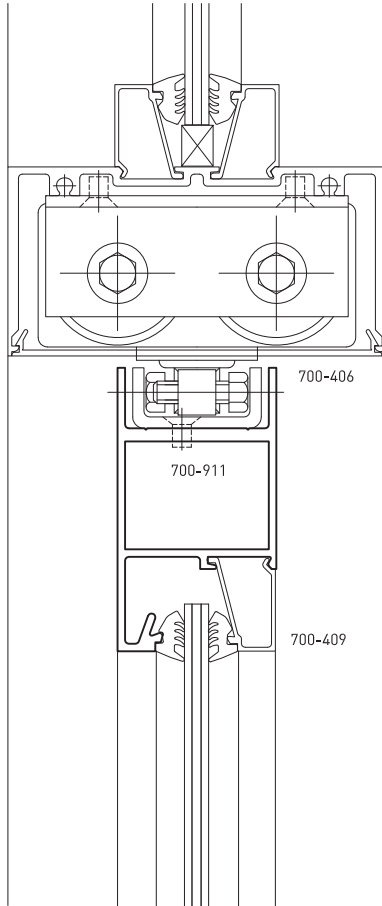


### Typical Configurations

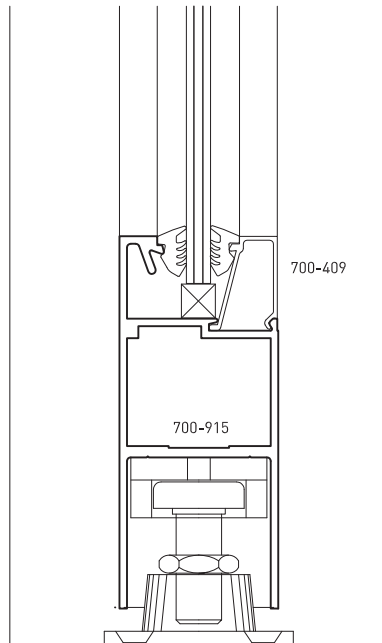
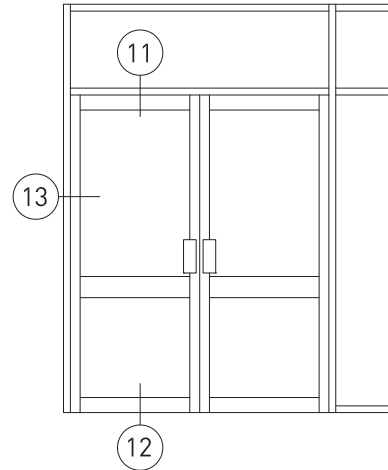


NOTE: USE BOTTOM ROLLER 01-243

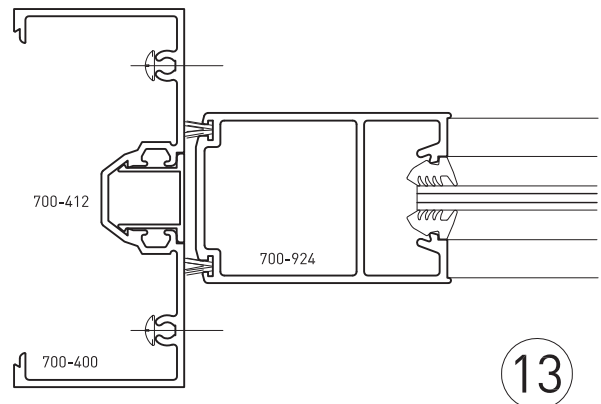
**Typical Configurations**



11



12



13



# COMMERCIAL RANGE 717 SYSTEM

## Emporia™ Pocket Glazed Door



Date: Jan 2013  
Replaces: Dec 2012

### Typical Configurations

NOTE: USE 01-244 TOP HUNG ROLLER

