

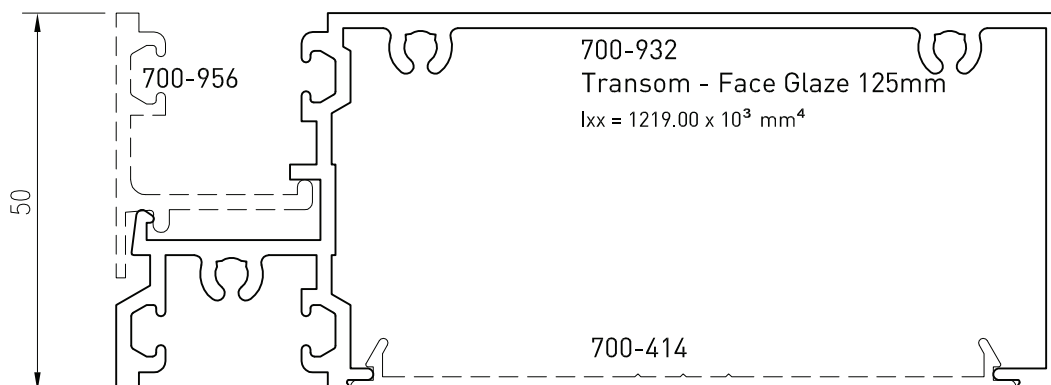
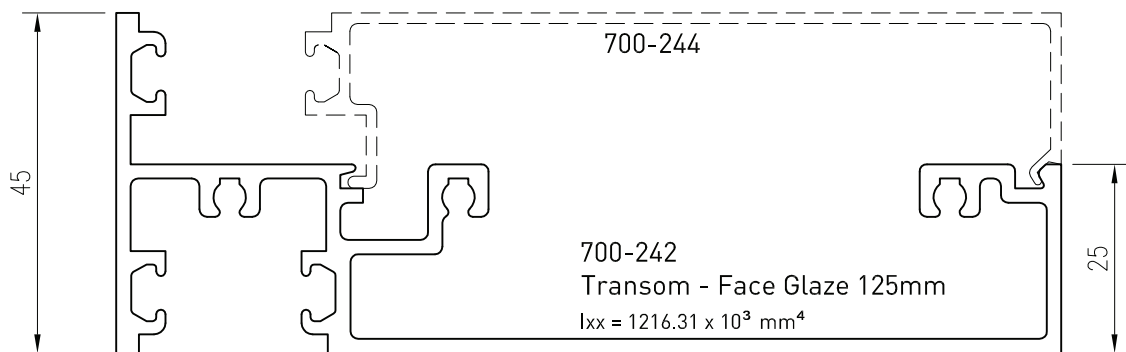
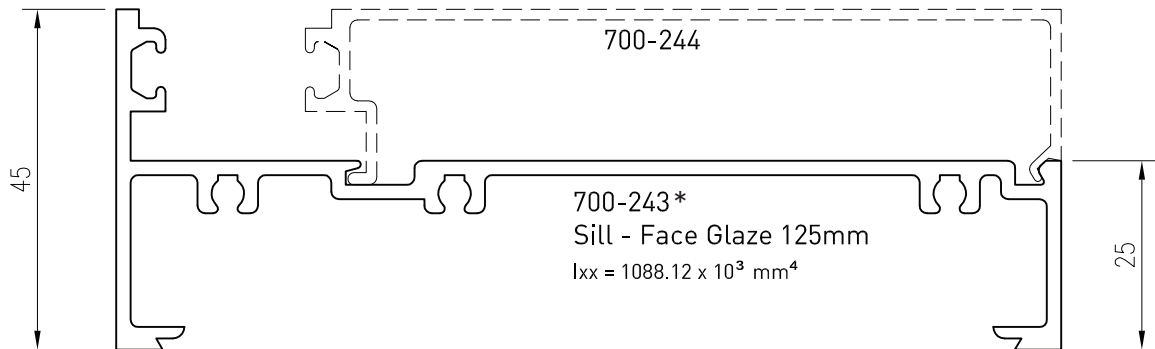
NOTE: When using male and female mullions all openings must have 1 deep and 1 shallow pocket

# COMMERCIAL RANGE 718 SYSTEM

Emporia™ 125mm Face Glazed



Date: Feb 2013  
Replaces: Apr 2012

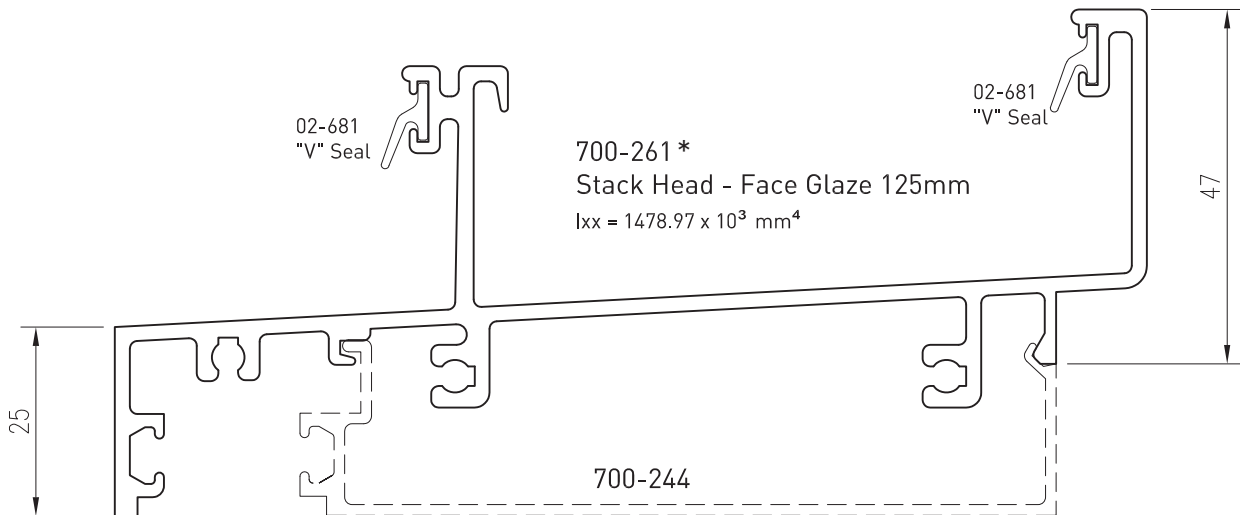
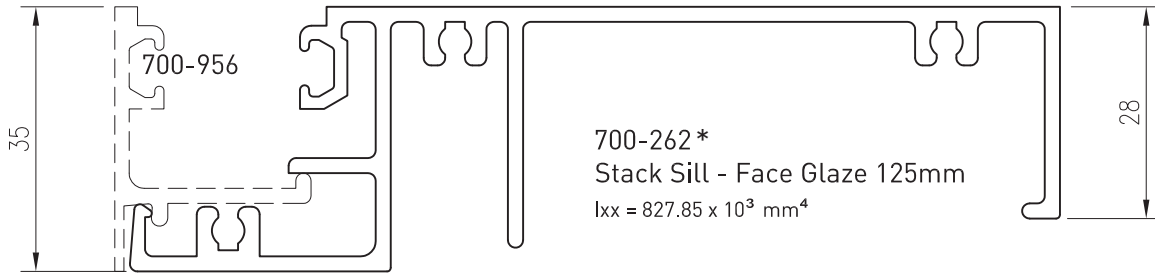


\*Lead times may apply

Up to date stock availability can be viewed at [www.lidco.com.au/indices](http://www.lidco.com.au/indices)

SALES ORDERS [orders@lidco.com.au](mailto:orders@lidco.com.au) F 1300 937 713

TECHNICAL SUPPORT [techsupport@lidco.com.au](mailto:techsupport@lidco.com.au) T 1300 663 848



\*Lead times may apply

Up to date stock availability can be viewed at [www.lidco.com.au/indices](http://www.lidco.com.au/indices)

**SALES ORDERS** [orders@lidco.com.au](mailto:orders@lidco.com.au) F 1300 937 713

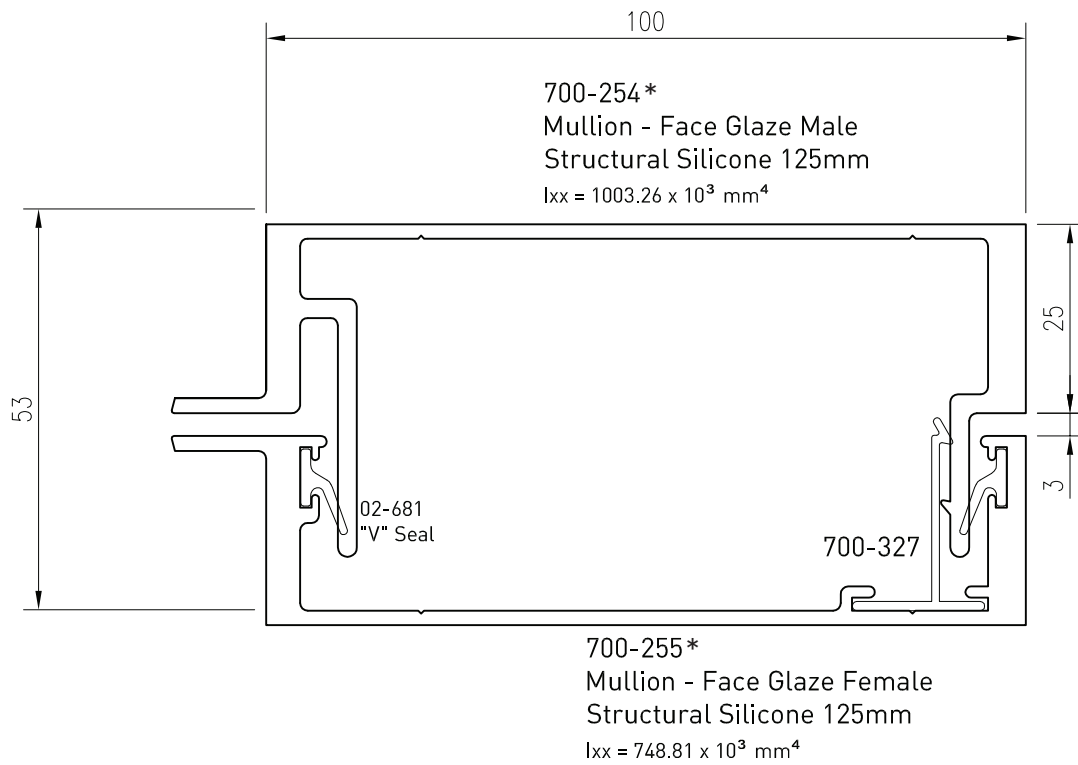
**TECHNICAL SUPPORT** [techsupport@lidco.com.au](mailto:techsupport@lidco.com.au) T 1300 663 848

# COMMERCIAL RANGE 718 SYSTEM

Emporia™ 125mm Face Glazed



Date: Feb 2013  
Replaces: Apr 2012

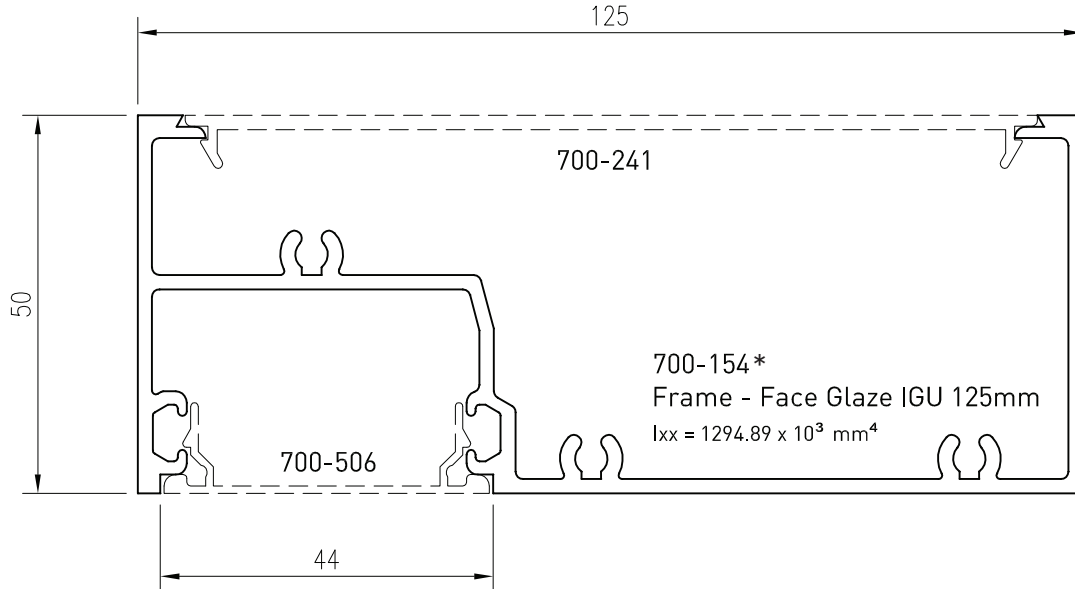


\*Lead times may apply

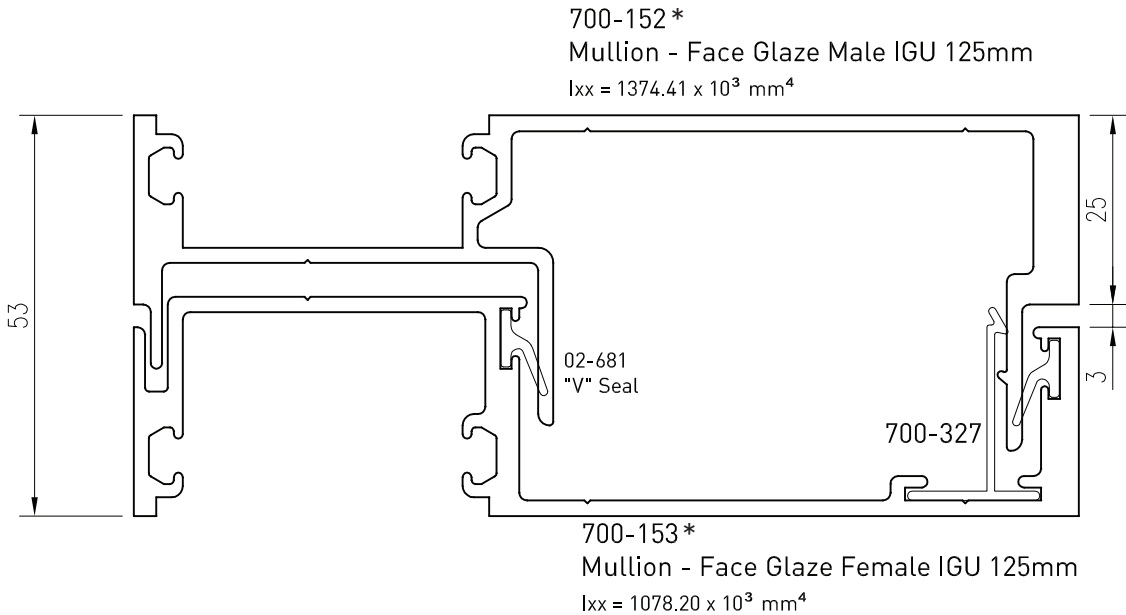
Up to date stock availability can be viewed at [www.lidco.com.au/indices](http://www.lidco.com.au/indices)

SALES ORDERS [orders@lidco.com.au](mailto:orders@lidco.com.au) F 1300 937 713

TECHNICAL SUPPORT [techsupport@lidco.com.au](mailto:techsupport@lidco.com.au) T 1300 663 848



NOTE: When using male and female mullions all openings must have 1 deep and 1 shallow pocket



\*Lead times may apply

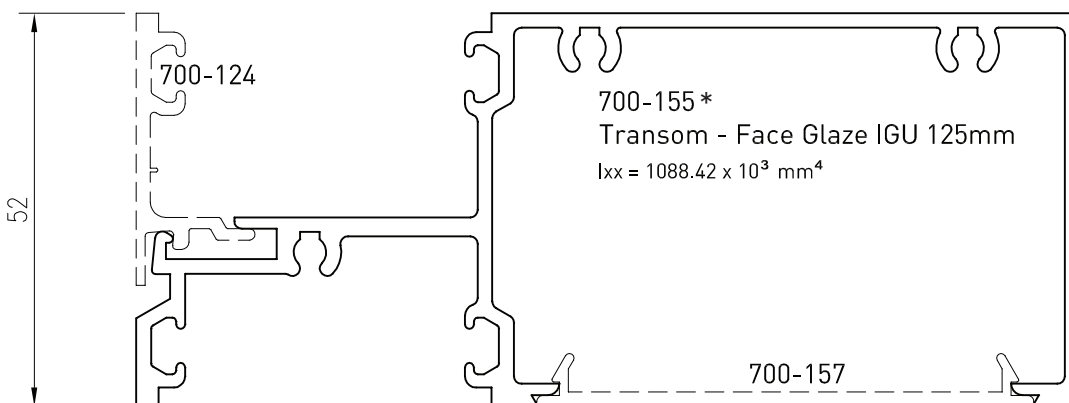
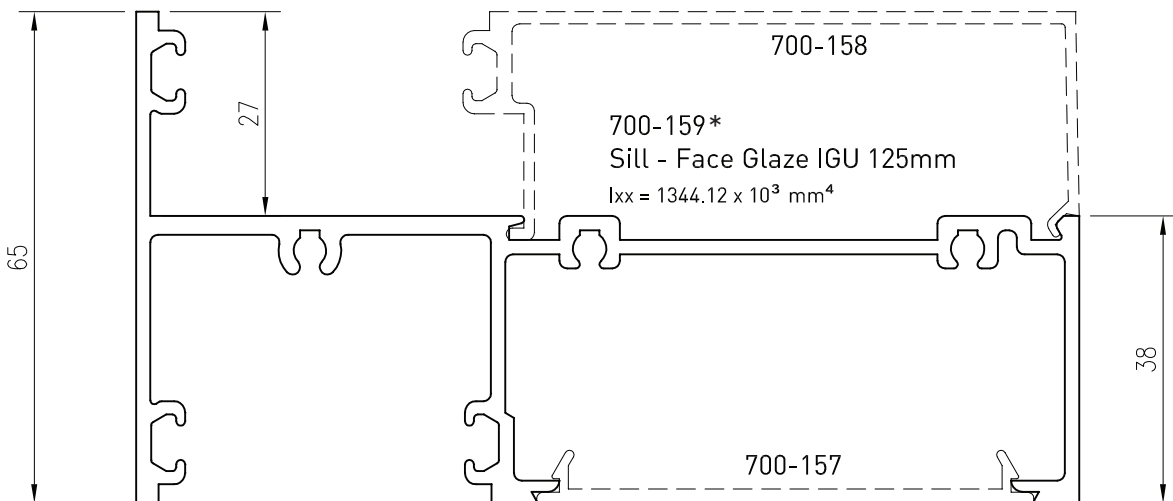
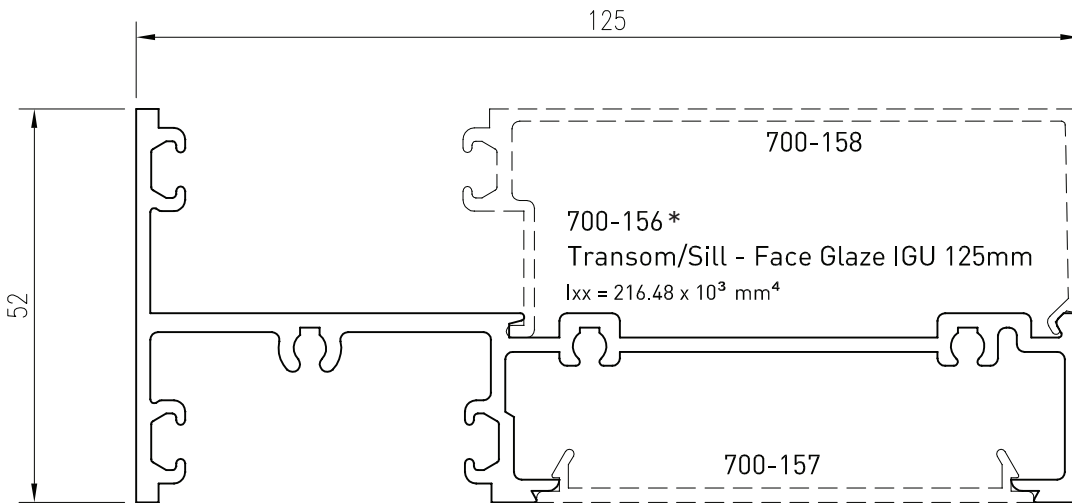
Up to date stock availability can be viewed at [www.lidco.com.au/indices](http://www.lidco.com.au/indices)

# COMMERCIAL RANGE 718 SYSTEM

## Emporia™ 125mm Face Glazed



Date: Feb 2013  
Replaces: Apr 2012

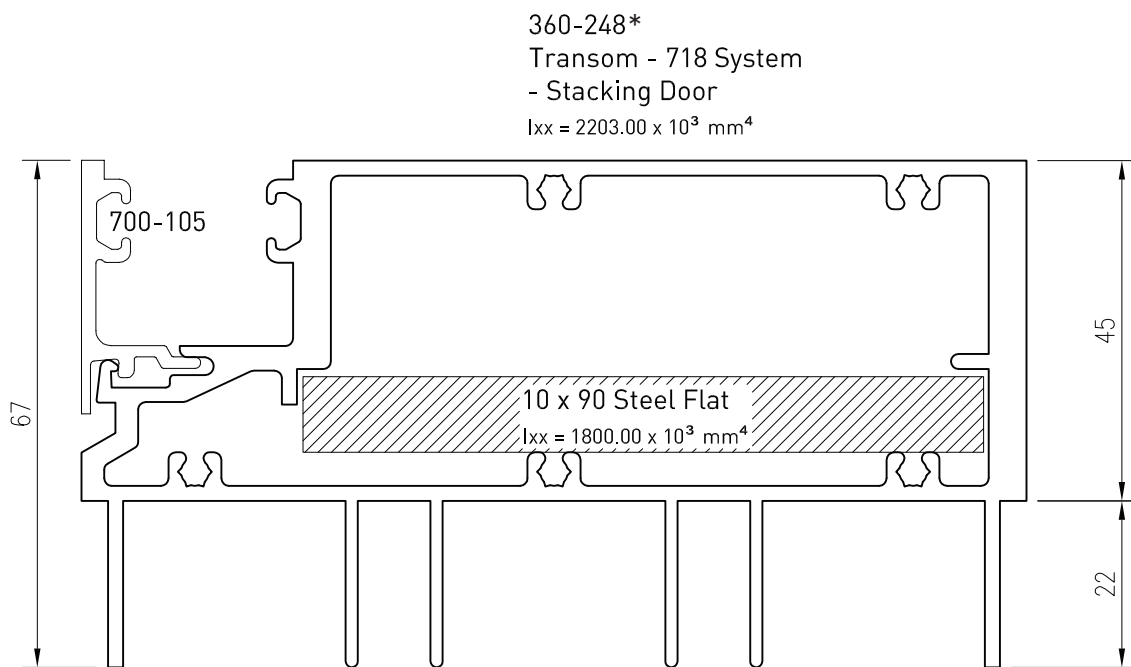


\*Lead times may apply

Up to date stock availability can be viewed at [www.lidco.com.au/indices](http://www.lidco.com.au/indices)

SALES ORDERS [orders@lidco.com.au](mailto:orders@lidco.com.au) F 1300 937 713

TECHNICAL SUPPORT [techsupport@lidco.com.au](mailto:techsupport@lidco.com.au) T 1300 663 848



\*Lead times may apply

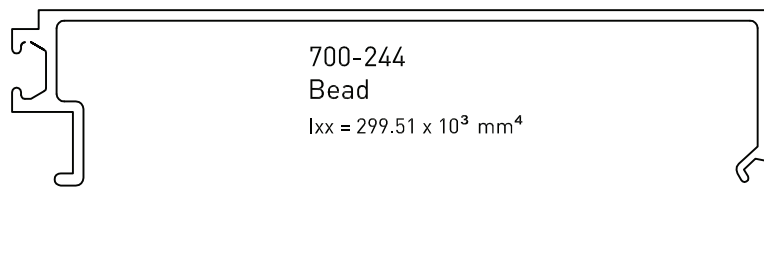
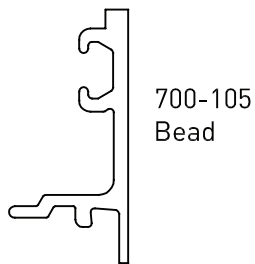
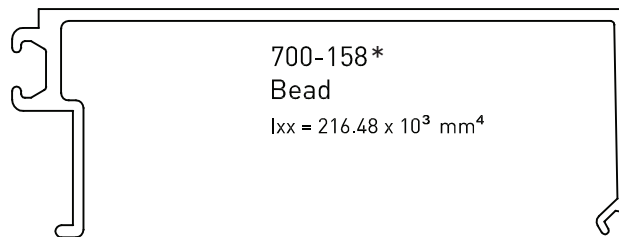
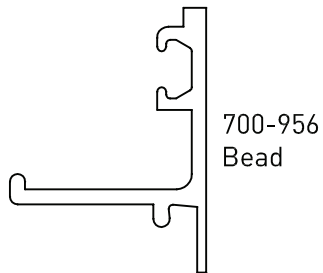
Up to date stock availability can be viewed at [www.lidco.com.au/indices](http://www.lidco.com.au/indices)

# COMMERCIAL RANGE 718 SYSTEM

Emporia™ 125mm Face Glazed



Date: Feb 2013  
Replaces: Apr 2012



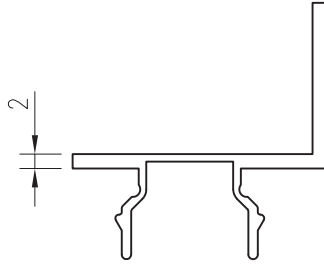
\*Lead times may apply

Up to date stock availability can be viewed at [www.lidco.com.au/indices](http://www.lidco.com.au/indices)

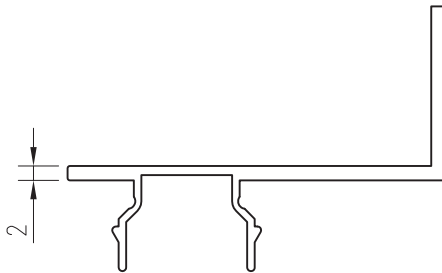
SALES ORDERS [orders@lidco.com.au](mailto:orders@lidco.com.au) F 1300 937 713

TECHNICAL SUPPORT [techsupport@lidco.com.au](mailto:techsupport@lidco.com.au) T 1300 663 848

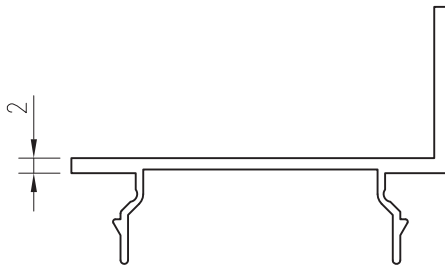




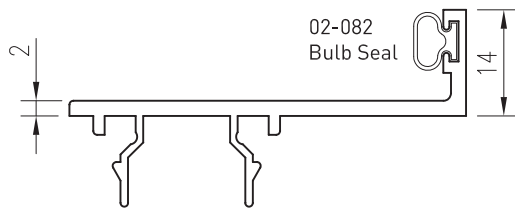
700-966  
Adaptor - 413 System  
Sash



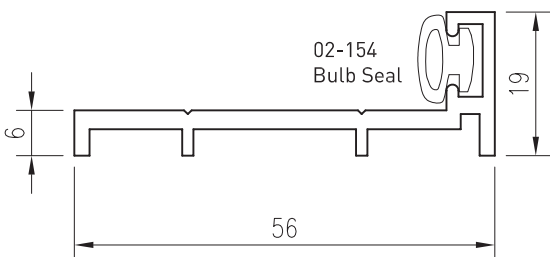
700-960  
Adaptor - 373 System  
Sash



700-128  
Adaptor - 373 System  
Sash



700-127  
Door Stop - Clip In  
45mm



700-130\*  
Door Stop - Plant On



400-931  
Door Stop - Plant On

\*Lead times may apply

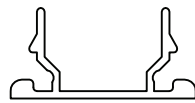
Up to date stock availability can be viewed at [www.lidco.com.au/indices](http://www.lidco.com.au/indices)

# COMMERCIAL RANGE 718 SYSTEM

Emporia™ 125mm Face Glazed



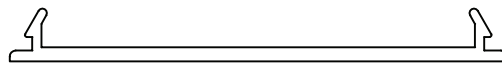
Date: Feb 2013  
Replaces: Apr 2012



700-964  
Infill - Pocket Filler



700-506  
Infill - Pocket Filler



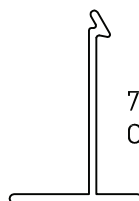
700-157 \*  
Infill - Flat



700-414  
Infill - Flat  
 $I_{xx} = 126.77 \times 10^3 \text{ mm}^4$



700-241  
Infill - Flat  
 $I_{xx} = 262.67 \times 10^3 \text{ mm}^4$



700-327  
Clip - Anti Buckle

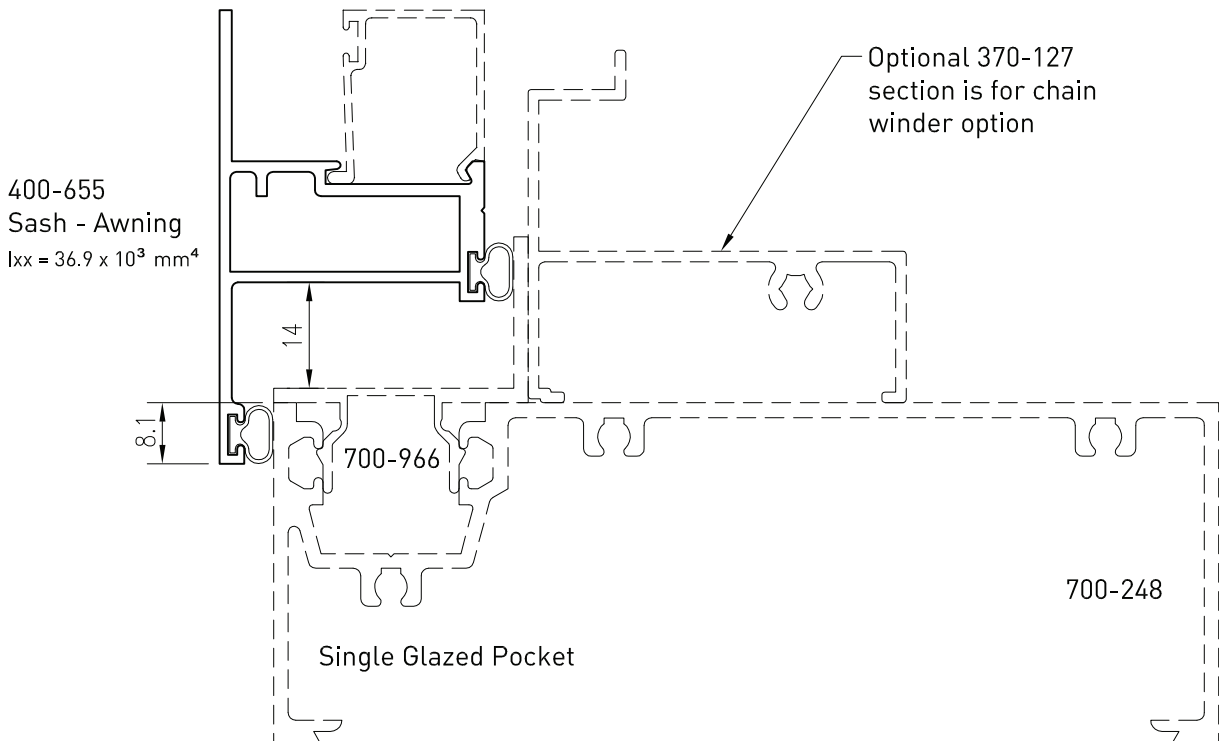
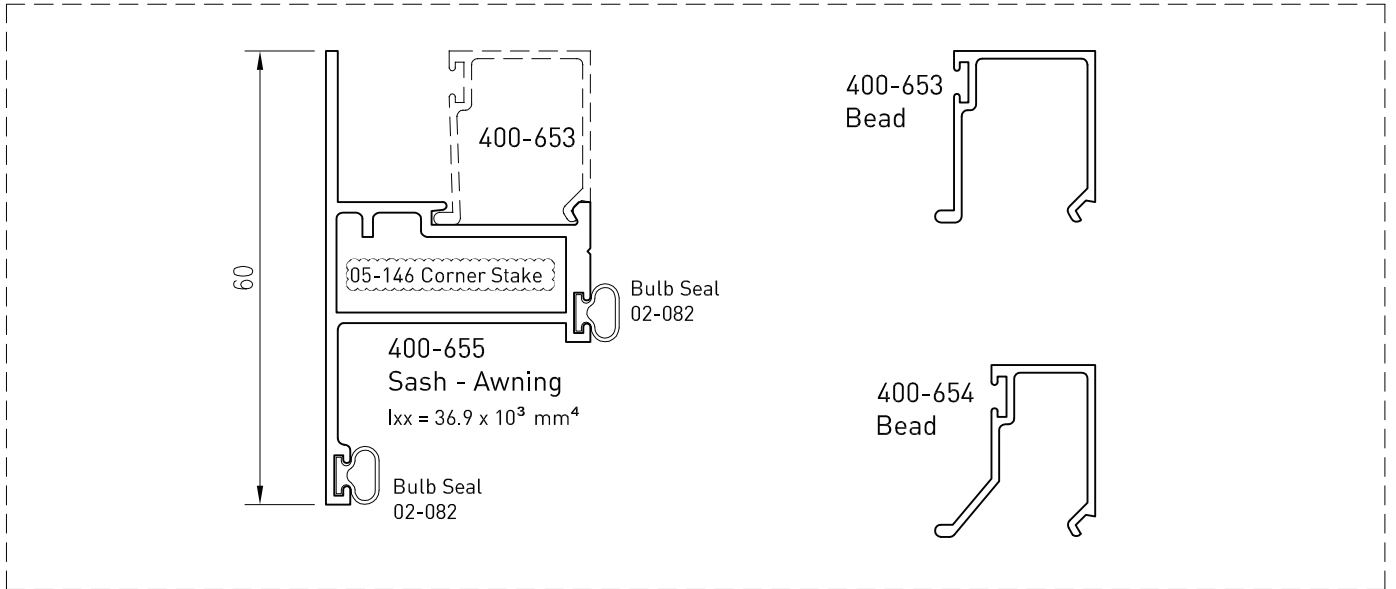
\*Lead times may apply

Up to date stock availability can be viewed at [www.lidco.com.au/indices](http://www.lidco.com.au/indices)

SALES ORDERS [orders@lidco.com.au](mailto:orders@lidco.com.au) F 1300 937 713

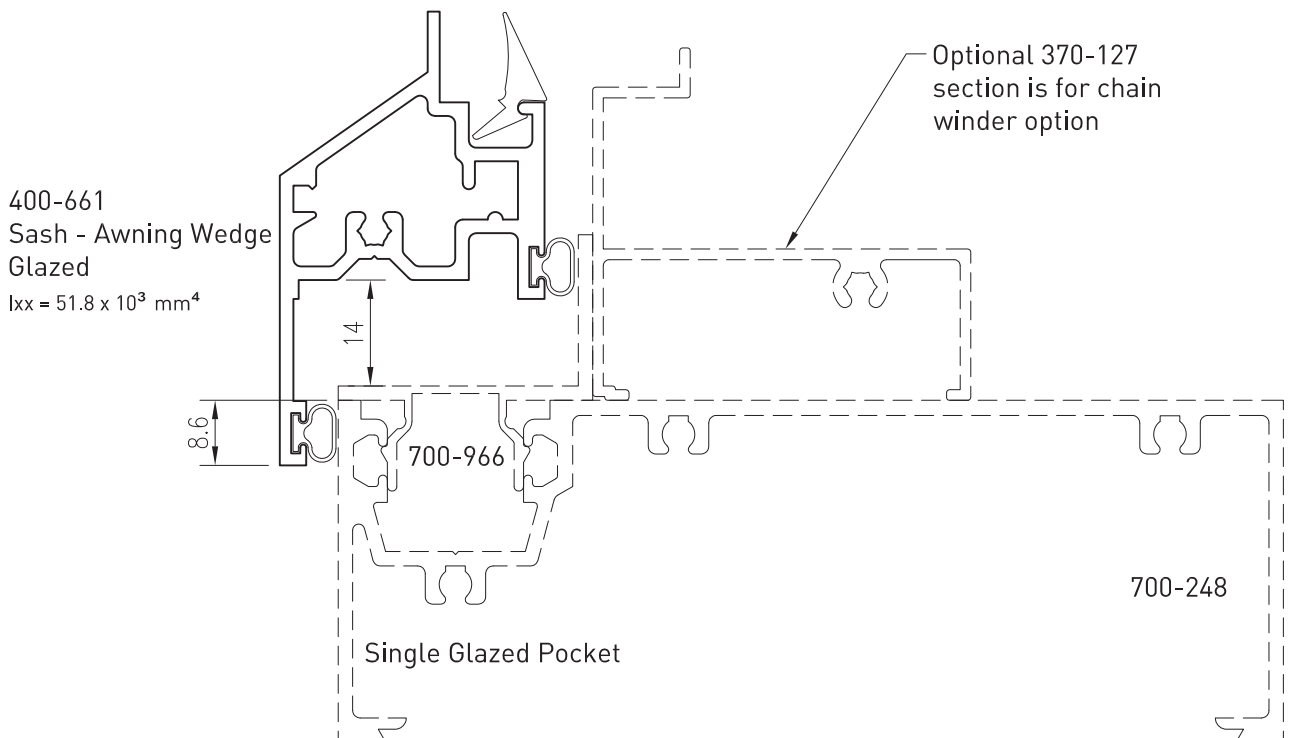
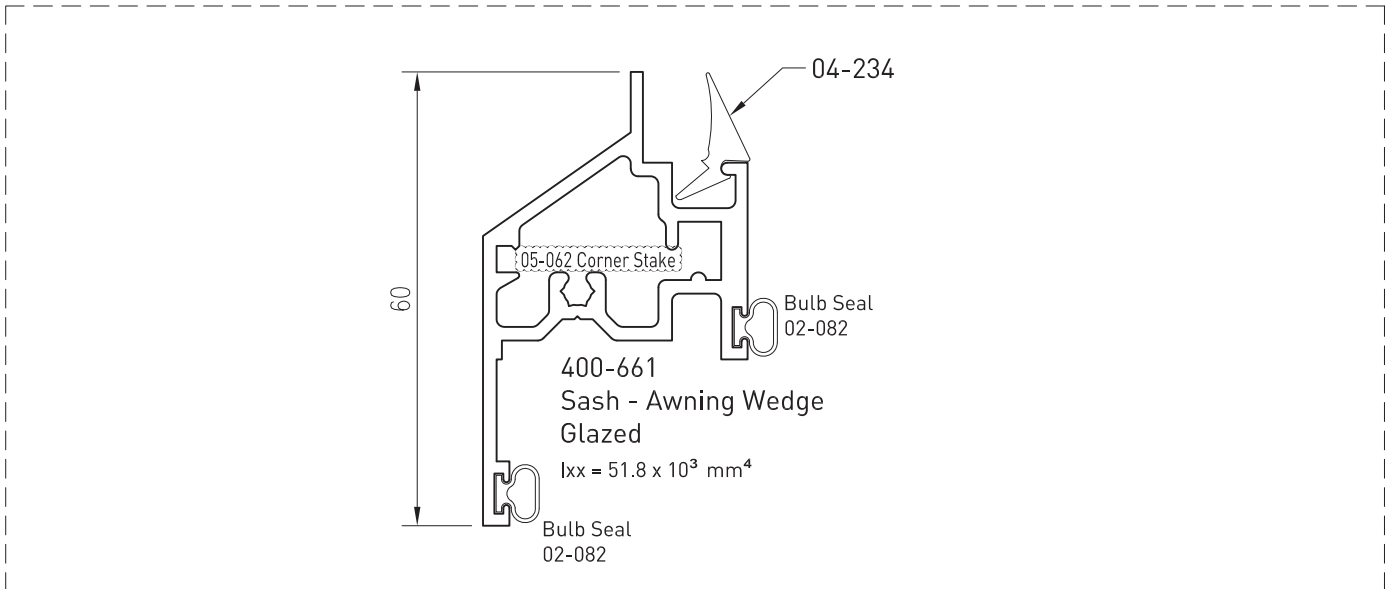
TECHNICAL SUPPORT [techsupport@lidco.com.au](mailto:techsupport@lidco.com.au) T 1300 663 848

**413 SYSTEM - Awning/Casement Sash - Overlap (Flat)  
(Single Glazed up to 10mm)**



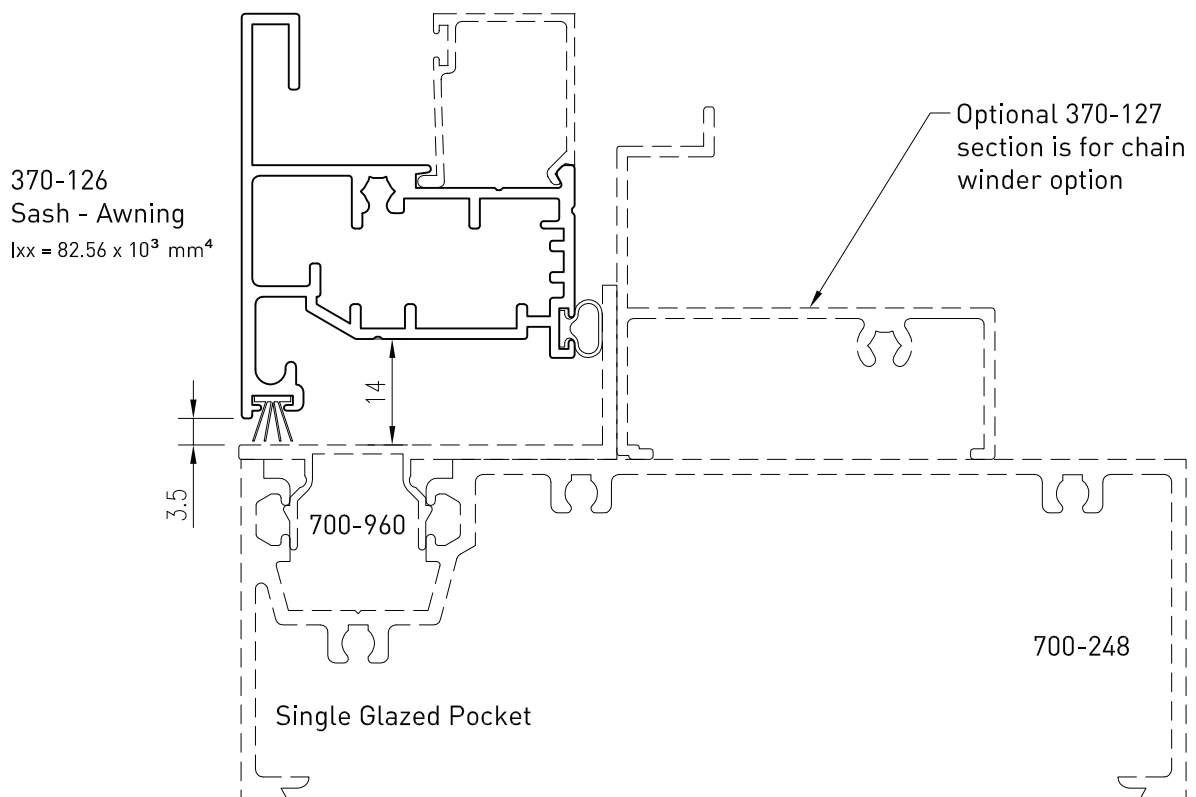
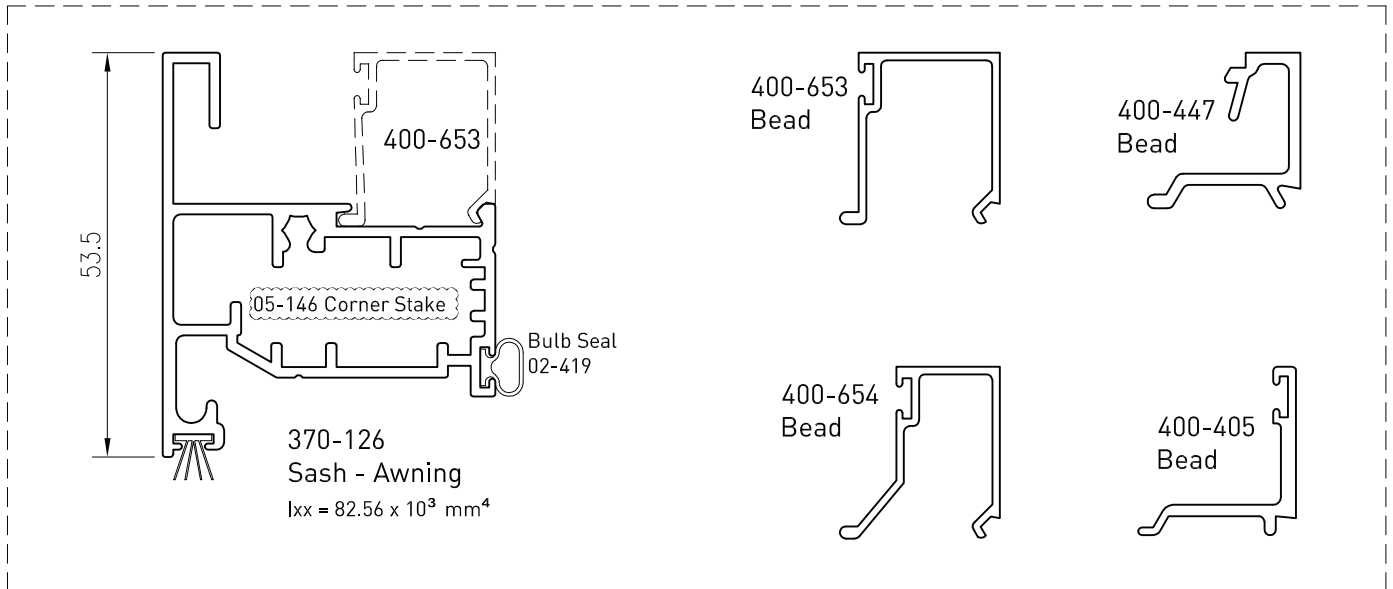
Up to date stock availability can be viewed at [www.lidco.com.au/indices](http://www.lidco.com.au/indices)

413 SYSTEM - Awning/Casement Sash - Overlap (Beveled)  
(Single Glazed up to 6.38mm)



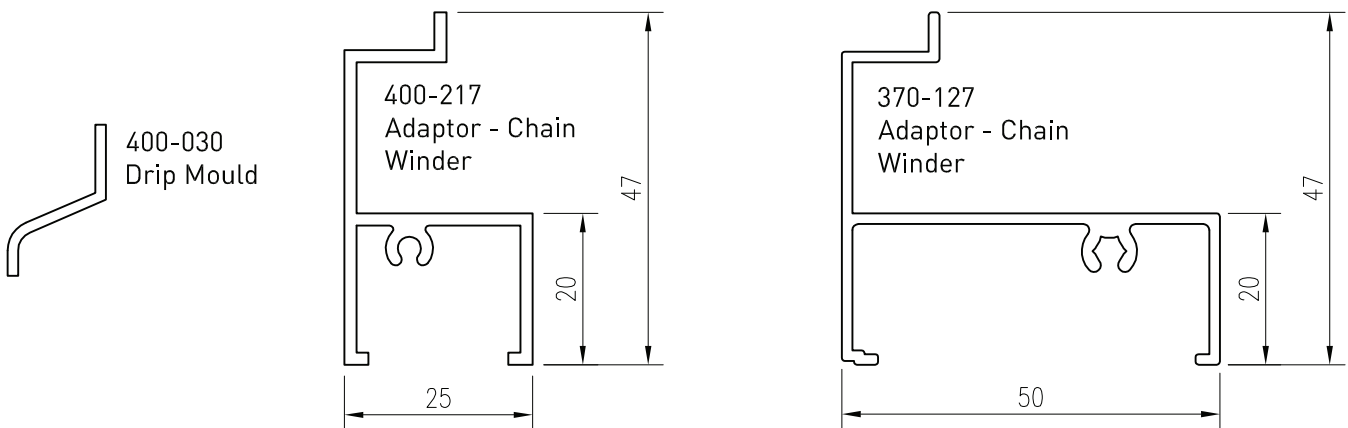
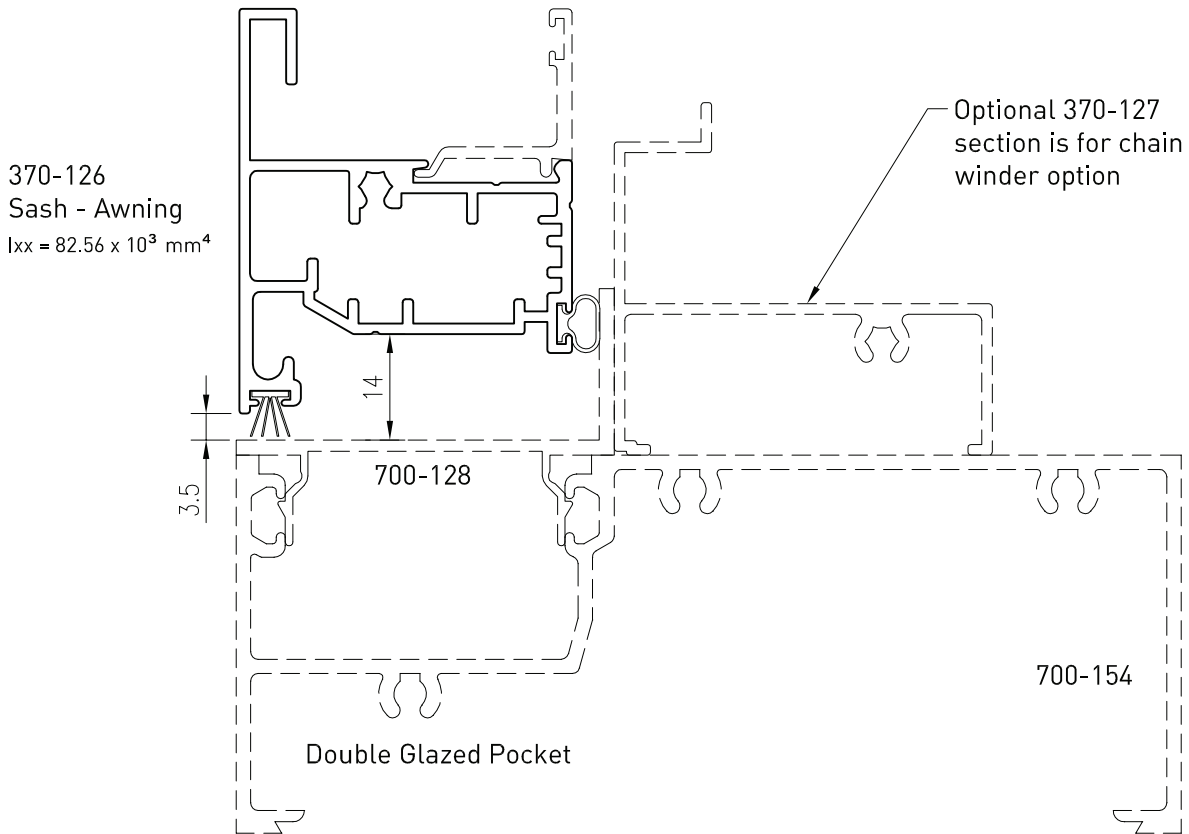
Up to date stock availability can be viewed at [www.lidco.com.au/indices](http://www.lidco.com.au/indices)

**373 SYSTEM - Awning/Casement Sash - Flush**  
**(Single Glazed up to 10mm & Double Glazed up to 25mm)**



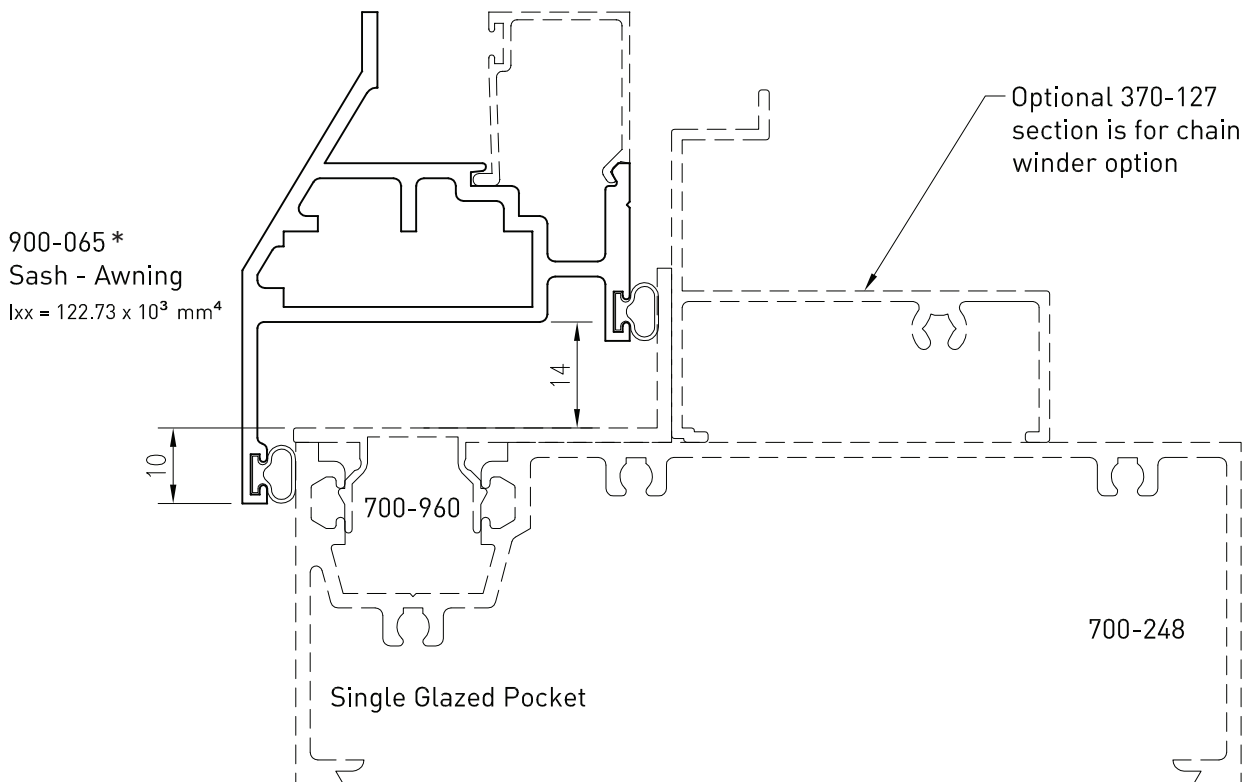
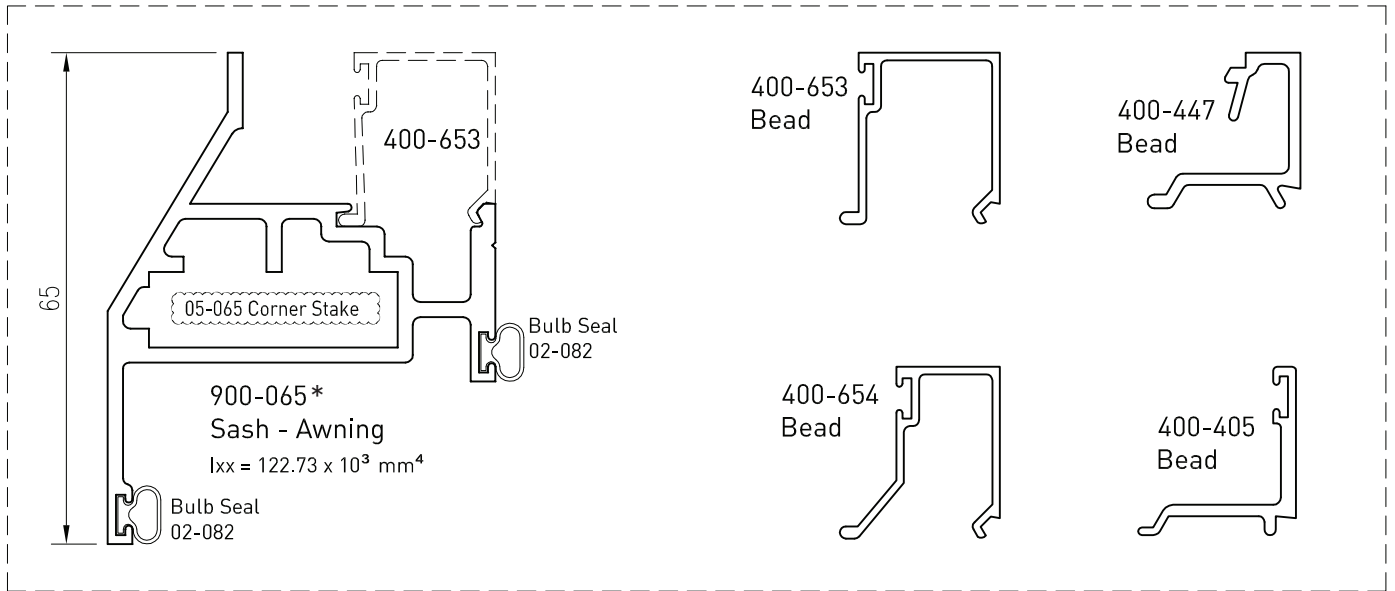
Up to date stock availability can be viewed at [www.lidco.com.au/indices](http://www.lidco.com.au/indices)

**373 SYSTEM - Awning/Casement Sash - Flush**  
(Single Glazed up to 10mm & Double Glazed up to 25mm)



Up to date stock availability can be viewed at [www.lidco.com.au/indices](http://www.lidco.com.au/indices)

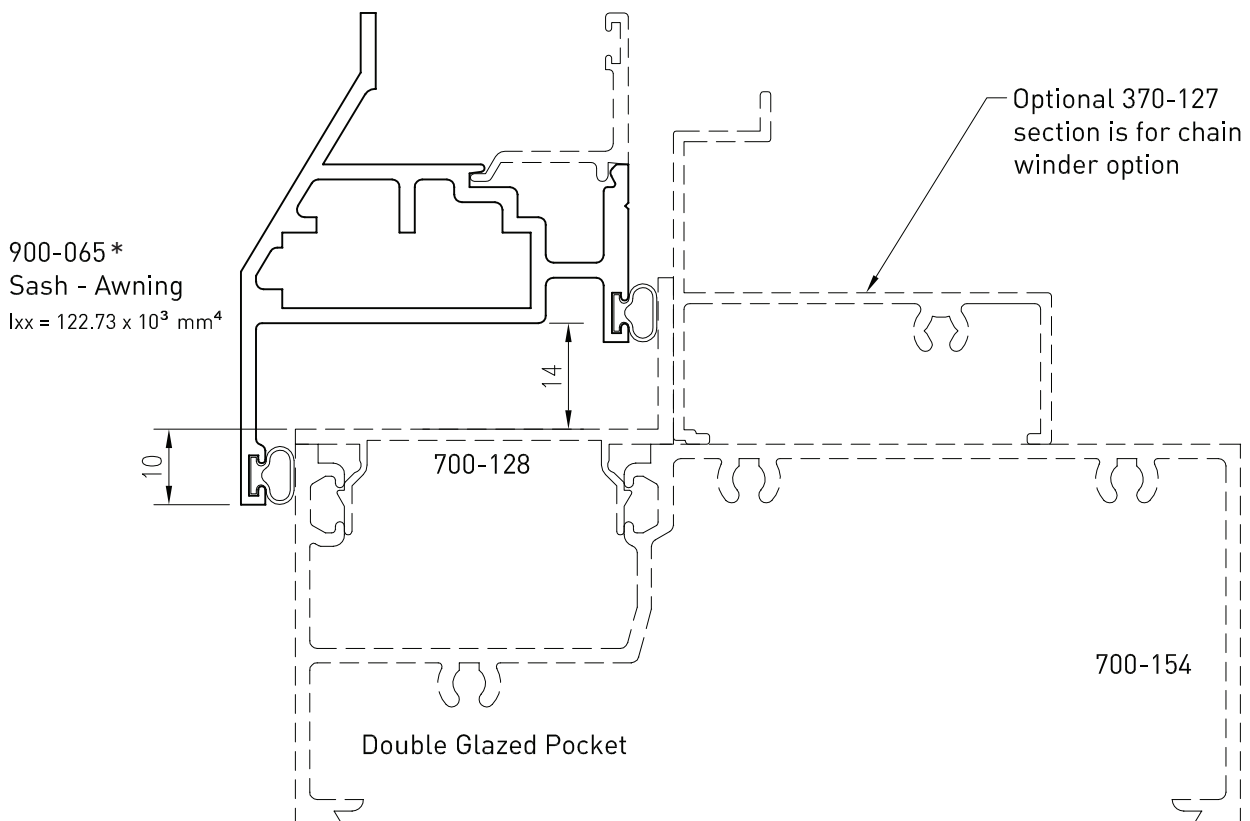
**900 SERIES - Awning/Casement Sash - (Beveled)**  
**(Single Glazed up to 10mm & Double Glazed up to 22mm)**



\*Lead times may apply

Up to date stock availability can be viewed at [www.lidco.com.au/indices](http://www.lidco.com.au/indices)

### 900 SERIES - Awning/Casement Sash - (Beveled) (Single Glazed up to 10mm & Double Glazed up to 22mm)

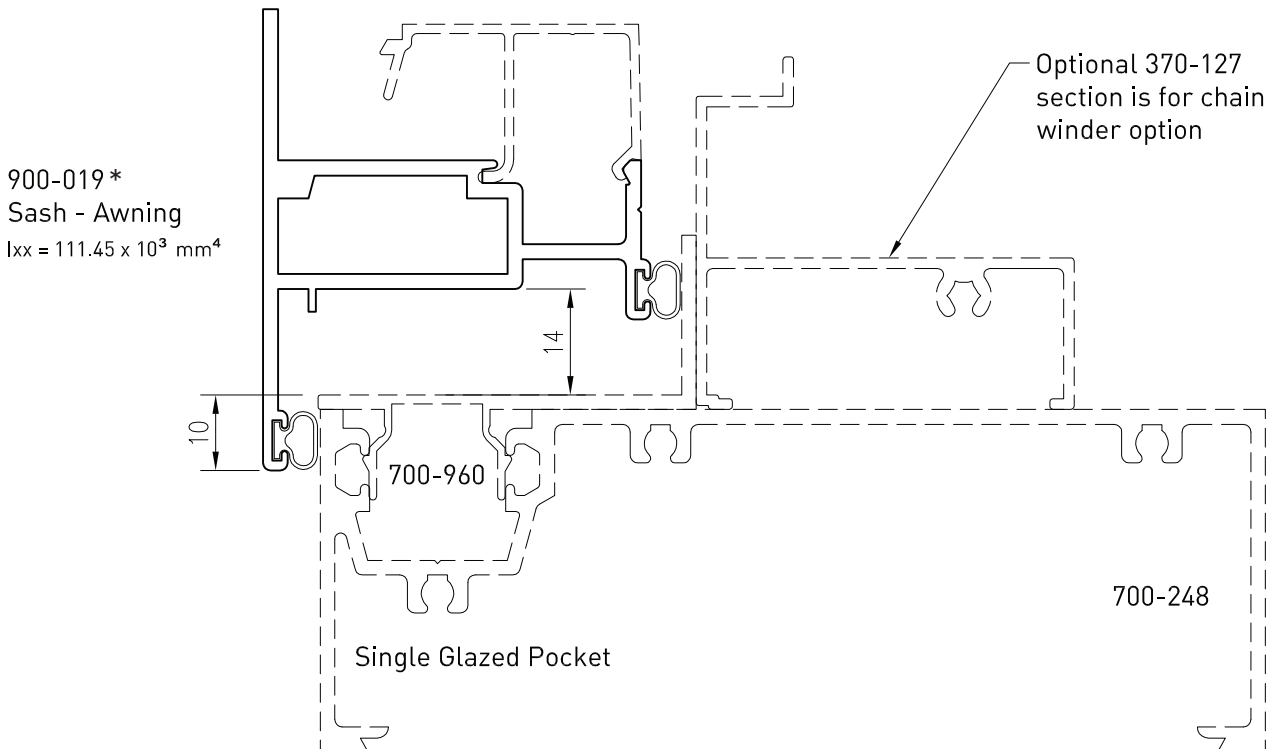
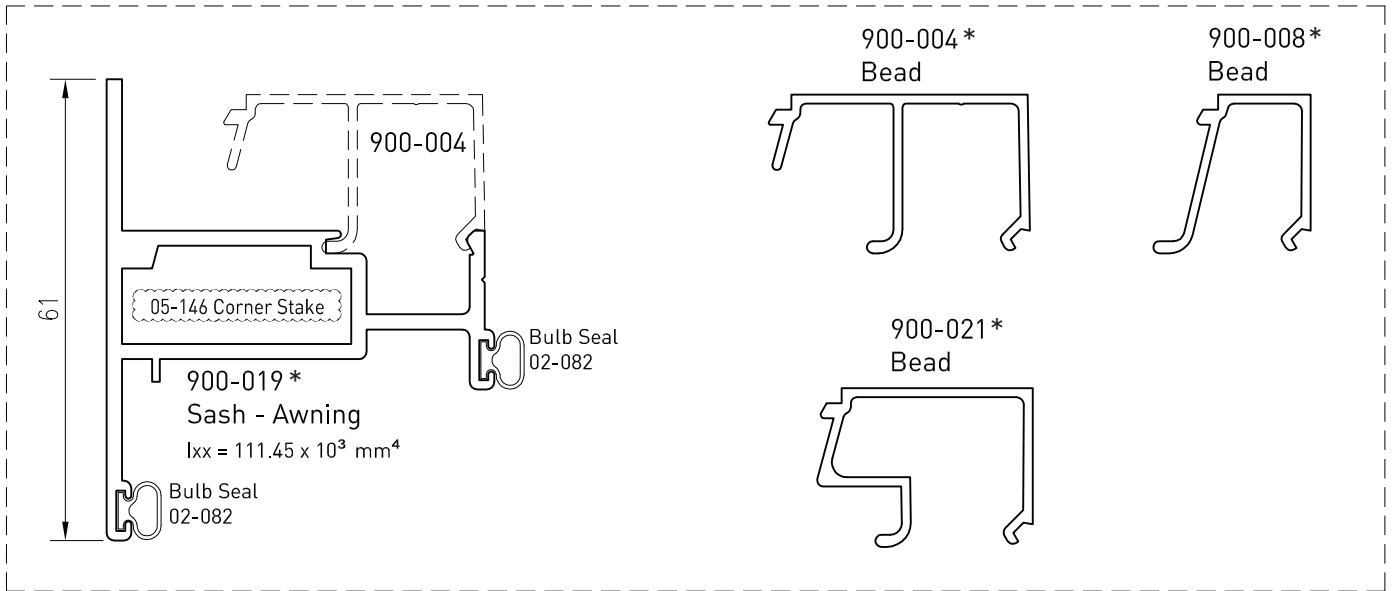


\*Lead times may apply

Up to date stock availability can be viewed at [www.lidco.com.au/indices](http://www.lidco.com.au/indices)



**900 SERIES - Awning/Casement Sash - (Flat)**  
**(Single Glazed up to 10mm & Double Glazed up to 25mm)**

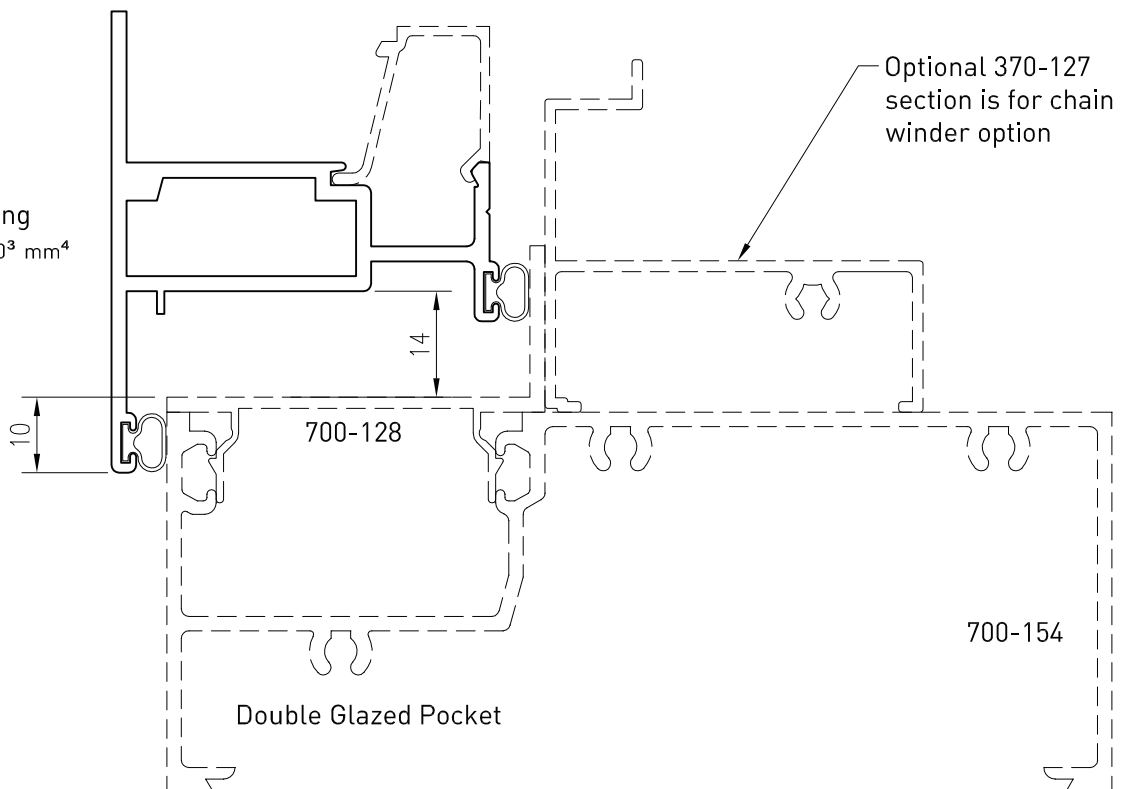


\*Lead times may apply

Up to date stock availability can be viewed at [www.lidco.com.au/indices](http://www.lidco.com.au/indices)

900 SERIES - Awning/Casement Sash - (Flat)  
(Single Glazed up to 10mm & Double Glazed up to 25mm)

900-019 \*  
Sash - Awning  
 $I_{xx} = 111.45 \times 10^3 \text{ mm}^4$



\*Lead times may apply

Up to date stock availability can be viewed at [www.lidco.com.au/indices](http://www.lidco.com.au/indices)