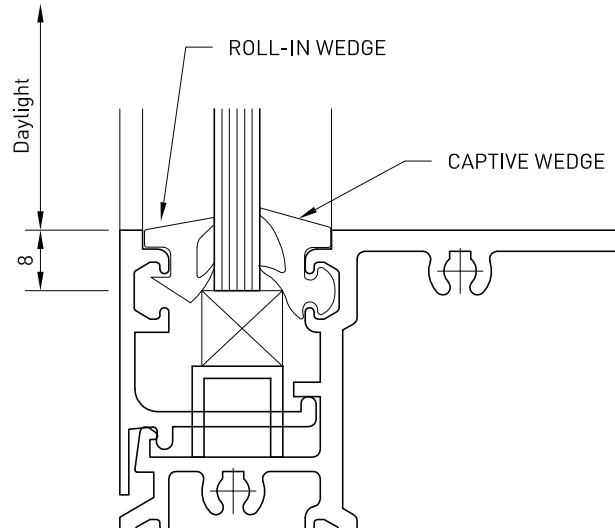


Glazing Details



PART SECTION THROUGH SILL

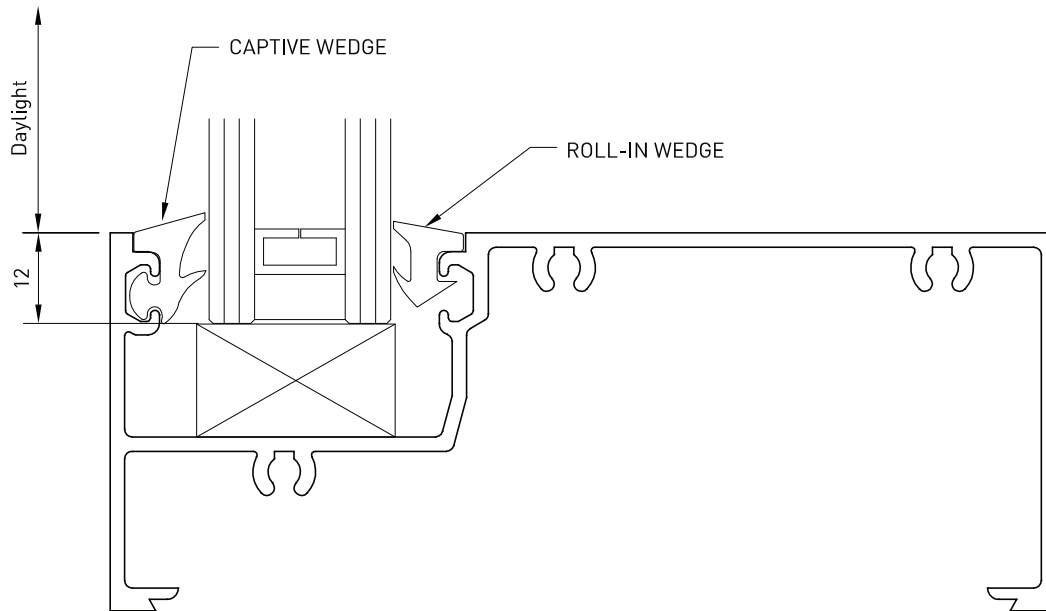
Glass Thickness	Roll-in Wedge	Captive Wedge	Material
5mm	04-235E	04-223E	EPDM
6mm/6.38mm	04-224E	04-223E	EPDM
	04-224	04-223	PVC
8mm	04-235E	04-222E	EPDM
10mm	04-224E	04-222E	EPDM
	04-224	04-222	PVC

Notes:

Due to tolerances on glass, metal and glazing materials, these recommendations should be taken as an indicative guide only and should be verified by test glazing.

EPDM Material is recommended for high rise building.

Glazing Details



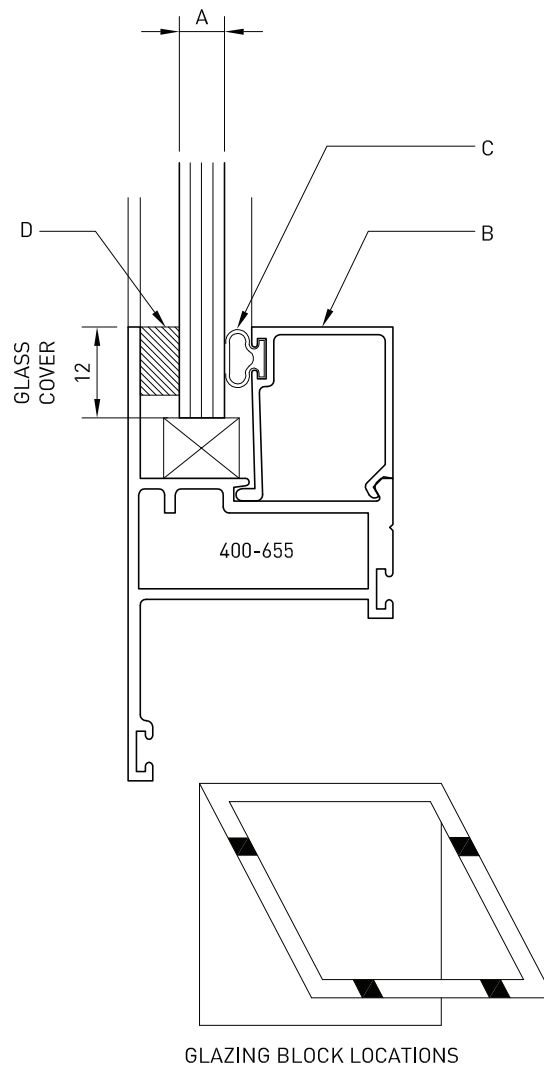
Glass Thickness	Roll-in Wedge	Captive Wedge	Material
24mm	04-235E	04-223E	EPDM
25mm	04-224E	04-223E	EPDM
	04-224	04-223	PVC
28mm	04-230E	04-222E	EPDM
30mm	04-233E	04-222E	EPDM
	04-233	04-222	PVC

Notes:

Due to tolerances on glass, metal and glazing materials, these recommendations should be taken as an indicative guide only and should be verified by test glazing.

EPDM Material is recommended for high rise building.

Glazing Details

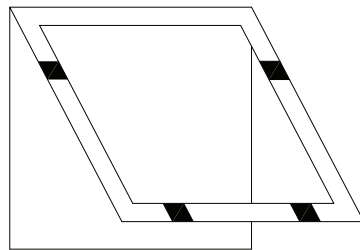
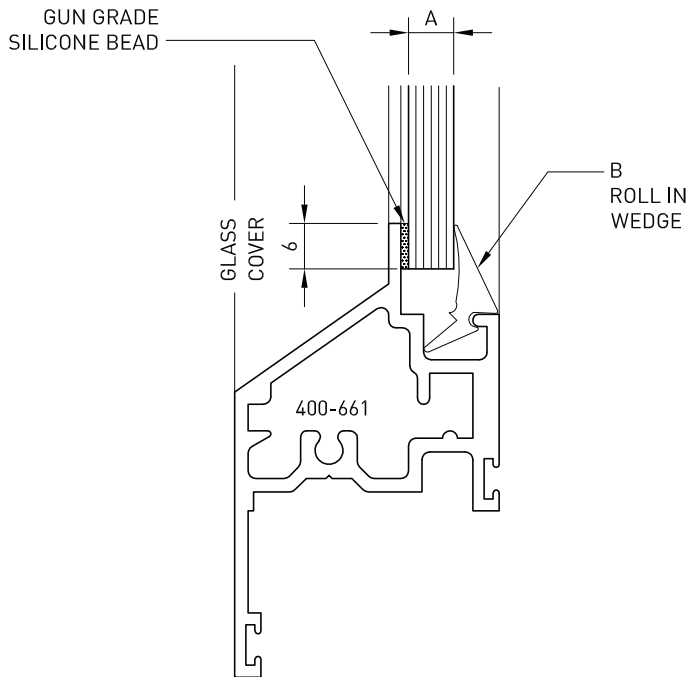


A (Glass Thickness)	B (Bead)	C (Glazing Wedge)	D (Glazing Tape)
4mm	400-653	02-082	6.4x9mm
5mm	400-653	02-082	4.8x9mm
6mm/6.38mm	400-653	02-082	4.8x9mm
8mm	400-654	02-082	6.4x9mm
10mm	400-654	02-082	4.8x9mm

Notes:

Due to tolerances on glass, metal and glazing materials, these recommendations should be taken as an indicative guide only and should be verified by test glazing.

Glazing Details



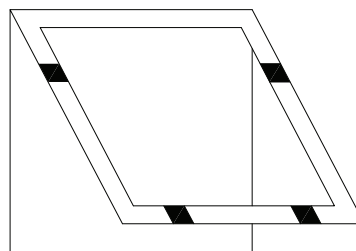
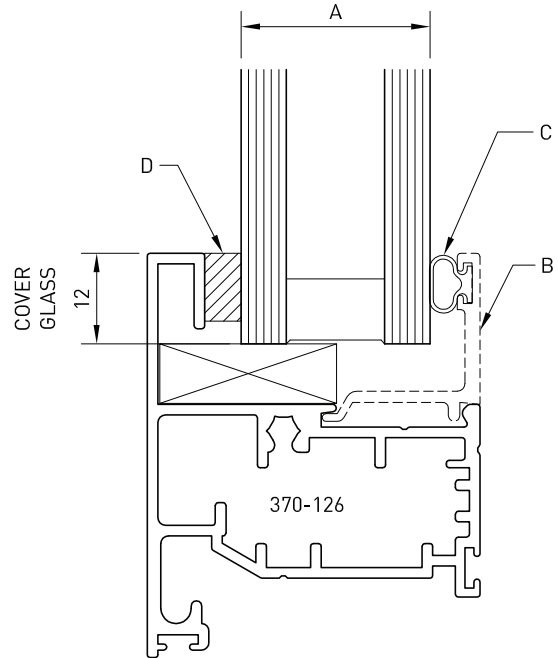
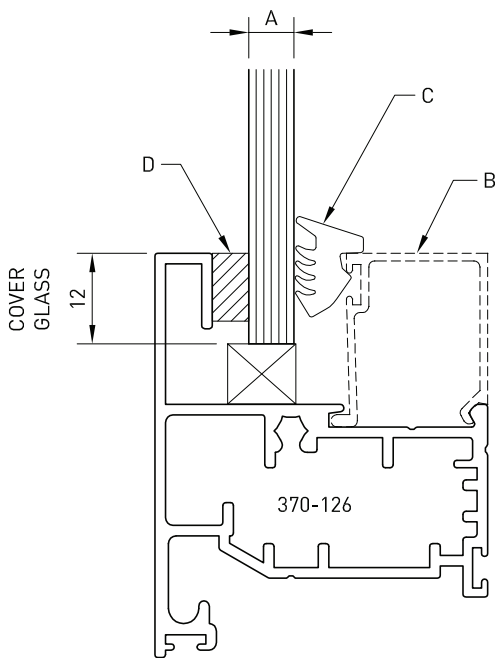
GLAZING BLOCK LOCATIONS

A (Glass Thickness)	B (Glazing Wedge)	Material
5mm-6.38mm	04-234	PVC

Notes:

Due to tolerances on glass, metal and glazing materials, these recommendations should be taken as an indicative guide only and should be verified by test glazing.

Glazing Details



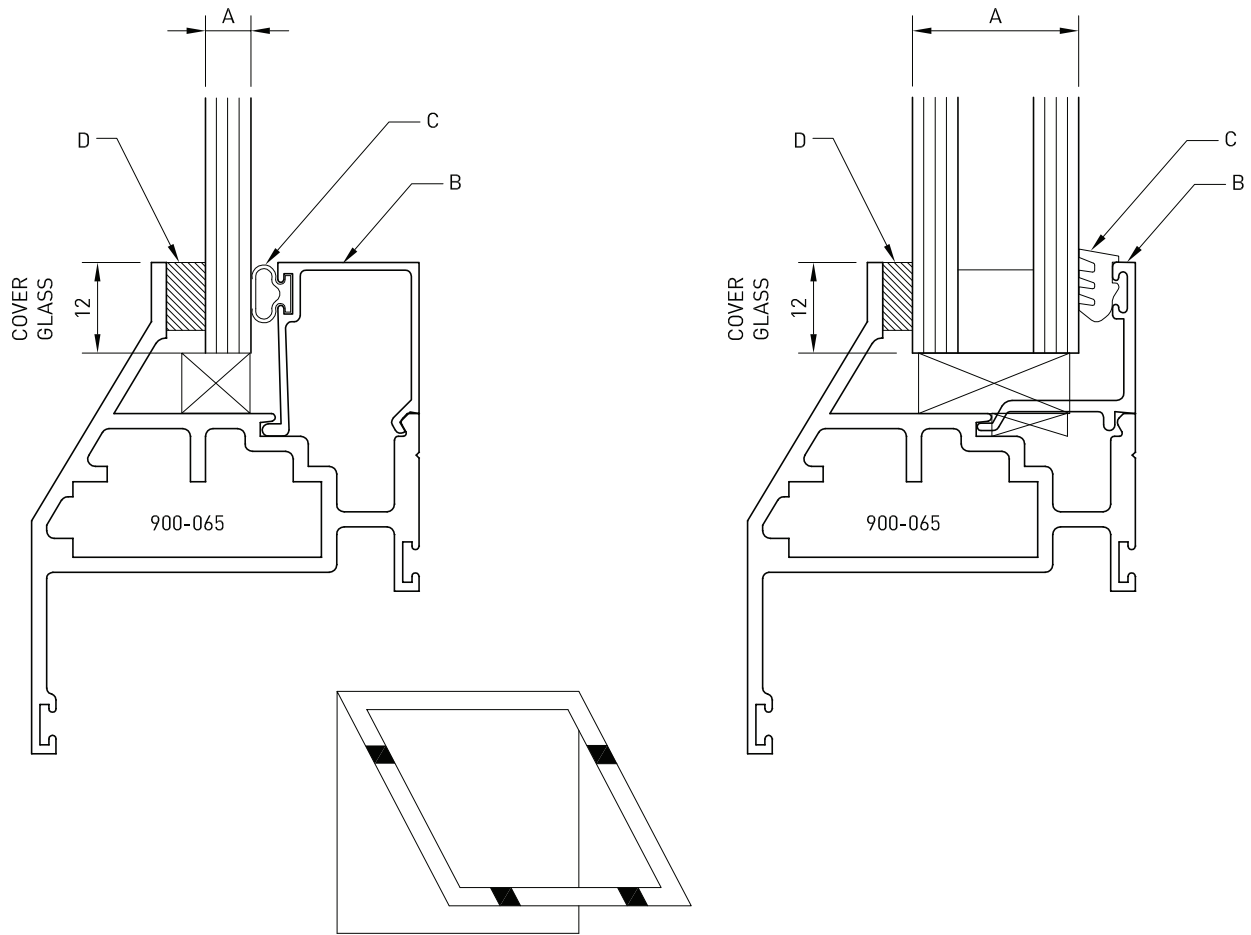
GLAZING BLOCK LOCATIONS

A (Glass Thickness)	B (Bead)	C (Glazing Wedge)	D (Glazing Tape)
5mm	400-653	04-142	6.4x9mm
6mm/6.38mm	400-653	04-108	4.8x9mm
8mm	400-653	04-142	1.6x9mm
10mm	400-653	04-108	1.6x9mm
20mm	400-447	04-116	1.6x9mm
25mm	400-405	02-082	4.8x9mm

Notes:

Due to tolerances on glass, metal and glazing materials, these recommendations should be taken as an indicative guide only and should be verified by test glazing.

Glazing Details



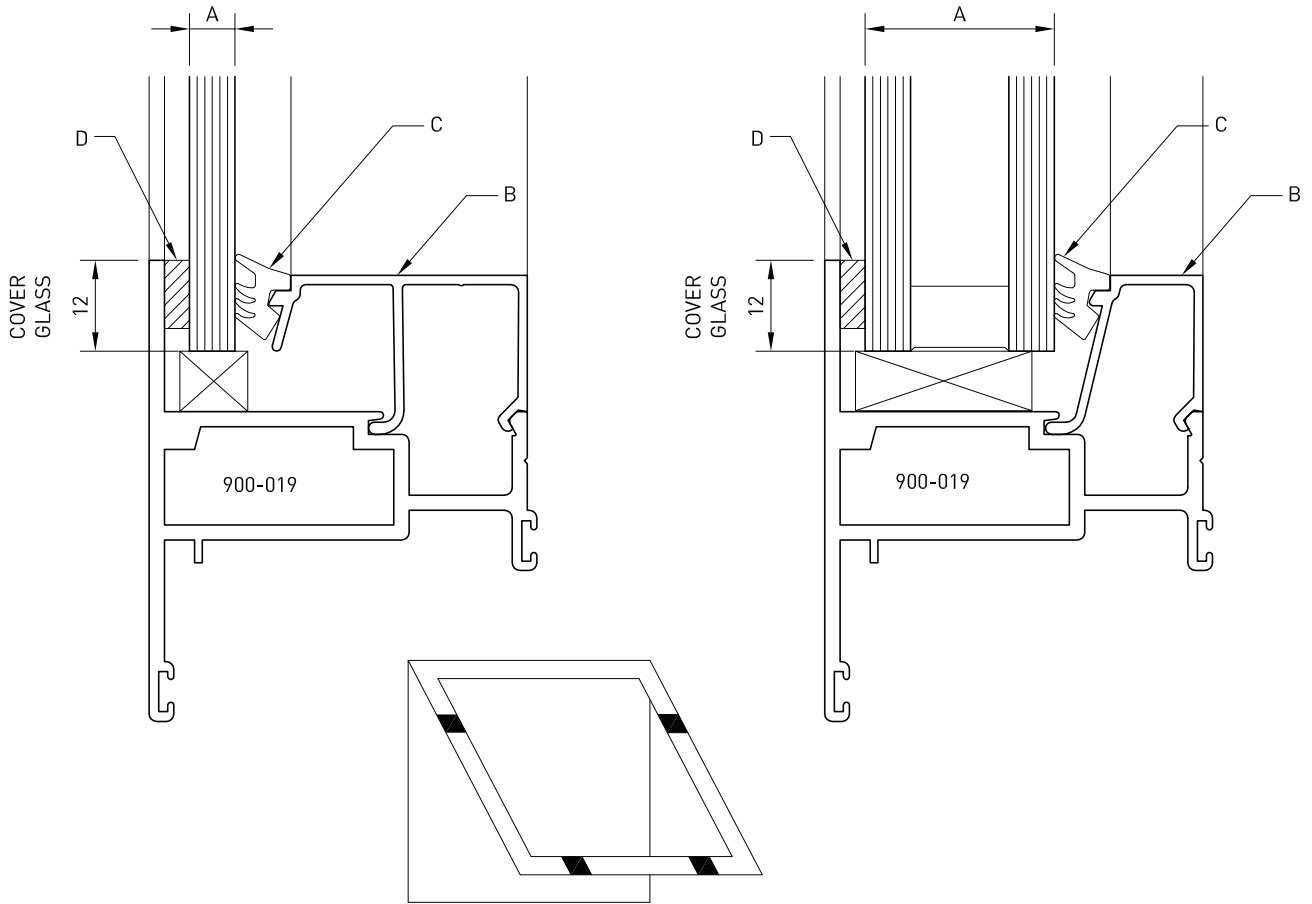
GLAZING BLOCK LOCATIONS

A (Glass Thickness)	B (Bead)	C (Roll-in Wedge)	D (Glazing Tape)
4mm	400-653	02-082	6.4x9mm
5mm	400-653	02-082	4.8x9mm
6mm/6.38mm	400-653	02-082	4.8x9mm
8mm	400-654	02-082	6.4x9mm
10mm	400-654	02-082	4.8x9mm
18mm	400-447	04-118	3.2x9mm
22mm	400-405	04-108	3.2x9mm

Notes:

Due to tolerances on glass, metal and glazing materials, these recommendations should be taken as an indicative guide only and should be verified by test glazing.

Glazing Details



GLAZING BLOCK LOCATIONS

A (Glass Thickness)	B (Bead)	C (Roll-in Wedge)	D (Glazing Tape)
5mm	900-004	04-108	3.2x9mm
6mm/6.38mm	900-004	04-108	3.2x9mm
10mm	900-021	04-108	3.2x9mm
25mm	900-008	04-108	3.2x9mm

Notes:

Due to tolerances on glass, metal and glazing materials, these recommendations should be taken as an indicative guide only and should be verified by test glazing.