



## COMMERCIAL RANGE 719 SYSTEM

Emporia™ External Cap – 100mm and 150mm

### Specifier Guide

---

The Lidco Specifier's Guide contains technical information, maximum permissible sizes, typical configurations, energy ratings and key design features and benefits.





**COMMERCIAL RANGE 719 SYSTEM**  
**Emporia™ External Cap 100/150mm Commercial Framing**

## Overview

A 100mm framing system where the glass is set nearly flush with the external face of the frame. The Emporia™ External Cap Framing System is ideal for low rise offices, showrooms, commercial buildings and feature glazed walls spanning up to two floors. A 150mm system is available on a per project basis, as is a thermal break option to further improve the energy rating of the system. The system can be either single or double glazed.

There is a range of glazing suites available that are used to fix glazing units to other structures such as steel, timber etc. The glass can be either single or double glazed.



## Features

- Single glazing options range from 5mm to 10.38mm
- The double glazed option is designed to accept a 25mm IGU
- Usually an external cap is used to secure the glass to the frame – there is also the option to structurally glaze the mullions in order to obtain a truly flush appearance
- By virtue of the external snap-on cap, this system provides the designer with the option of choosing different colours for the internal and external faces
- A screw on cap frame is available on a per project basis
- Various sub-sill and sub-head options are available to aid on-site installation

Maximum Glass Thickness	≤25mm IGU
-------------------------	-----------



## How to Specify

- Aluminium frames to be manufactured using Lidco 719 System: Emporia™ External Cap Commercial Framing
- Selected framing to be engineered, manufactured and installed in accordance with:
  - AS 2047-2048 (Windows in Buildings)
  - AS/NZS 1170 (Loading Code)
  - AS/NZS 1664 (Aluminium Structures Code)
- Selected glazing to be in line with performance requirements as set out in AS 1288 (Glass in Buildings)
- Size limitations are governed by design intent, glass selection and local wind load and deflection requirements



For any specification assistance please call to speak to one of our friendly and knowledgeable technical sales team on 1300 663 848 or email [techsupport@lidco.com.au](mailto:techsupport@lidco.com.au)



719 System Specifier Guide, CAD, PDF files and more are available at [www.lidco.com.au](http://www.lidco.com.au)



**Lidco Corporation Pty Ltd**  
T 1300 663 848  
[techsupport@lidco.com.au](mailto:techsupport@lidco.com.au)  
[www.lidco.com.au](http://www.lidco.com.au)

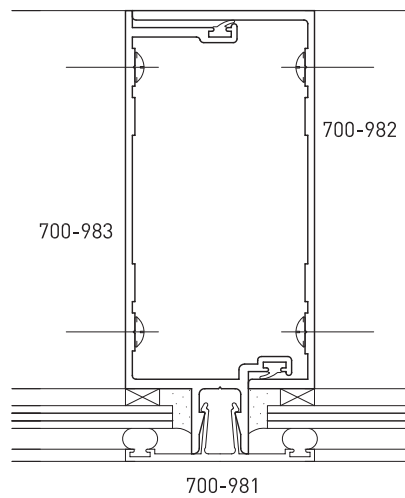
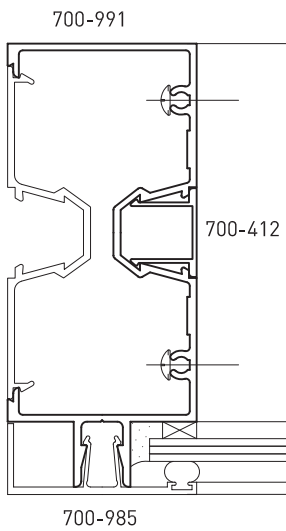
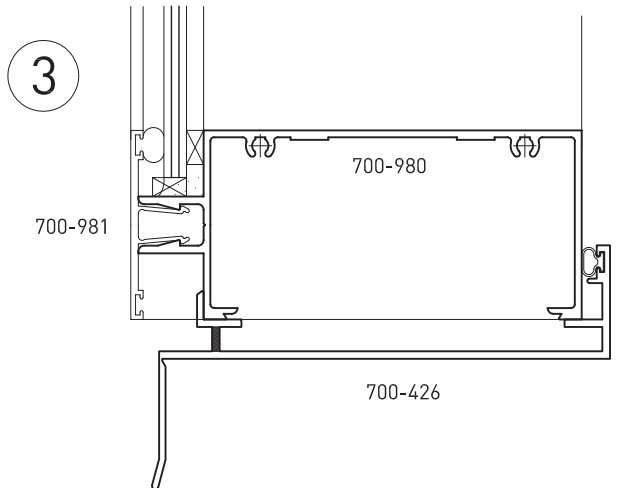
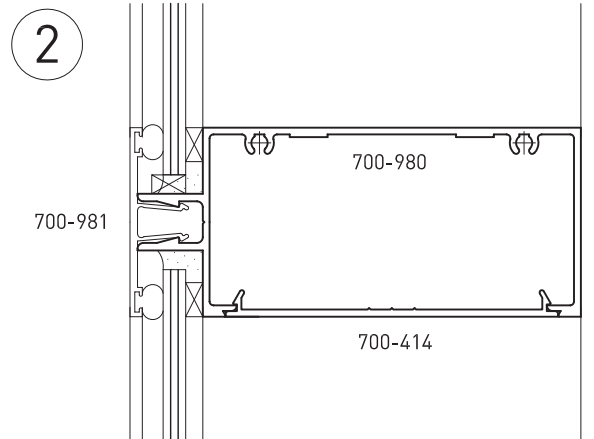
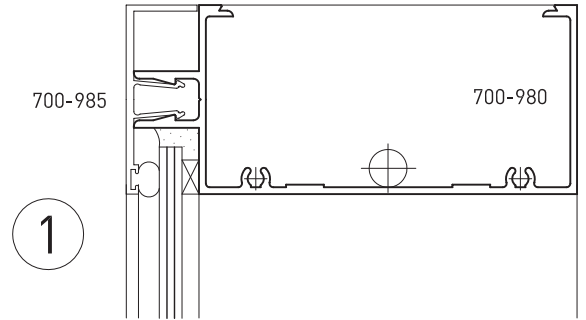
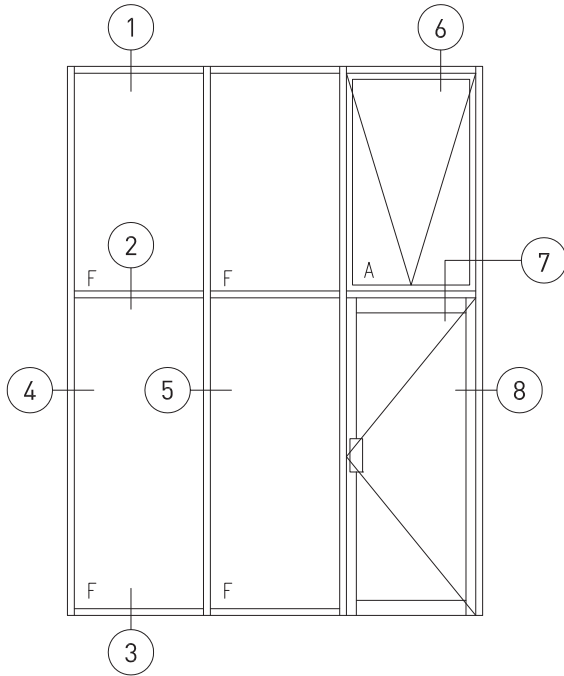
Founded in Australia over 65 years ago Lidco is a leading designer and supplier of contemporary and high performance residential and commercial aluminium window and door systems

© 2013 Lidco Corporation Pty Ltd

Your nearest supplier:

A large rectangular area enclosed by a dashed border, intended for a user to specify their nearest supplier.

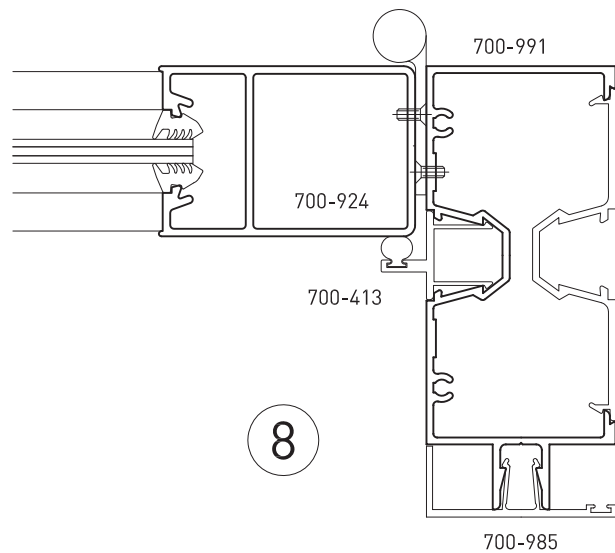
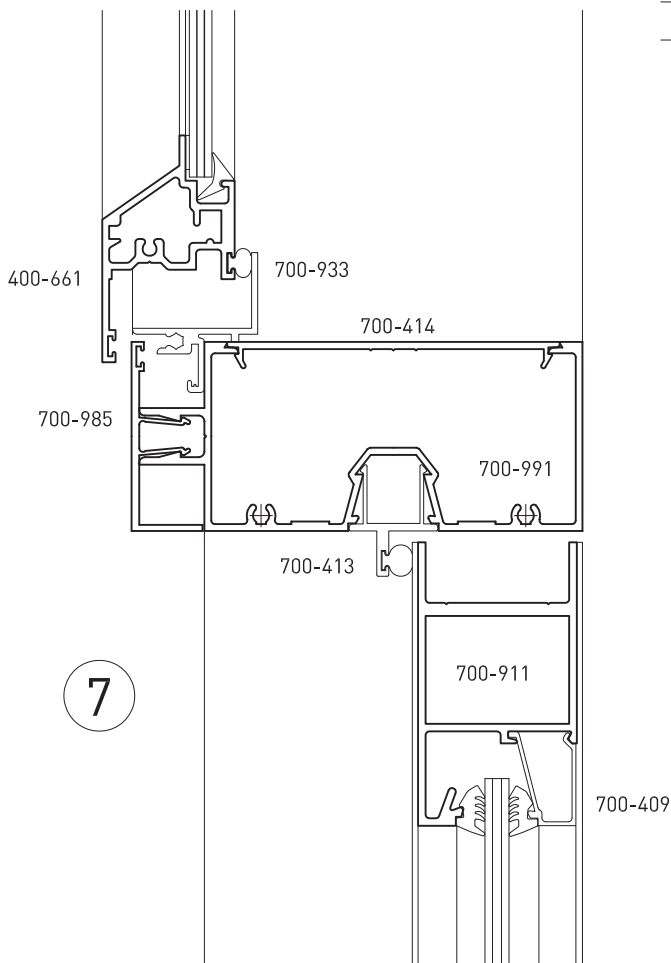
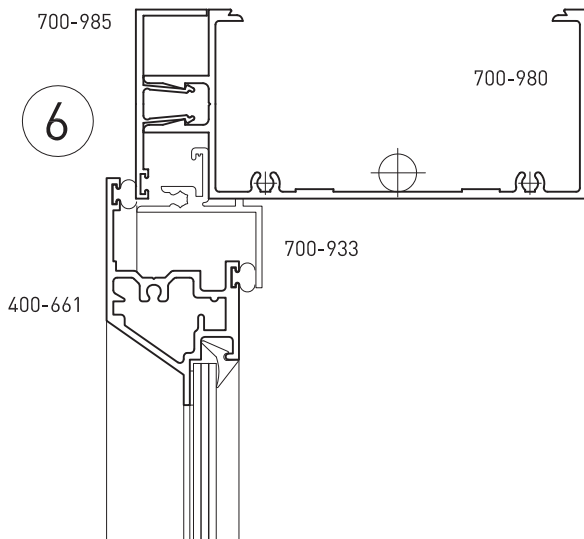
**Typical Configurations**



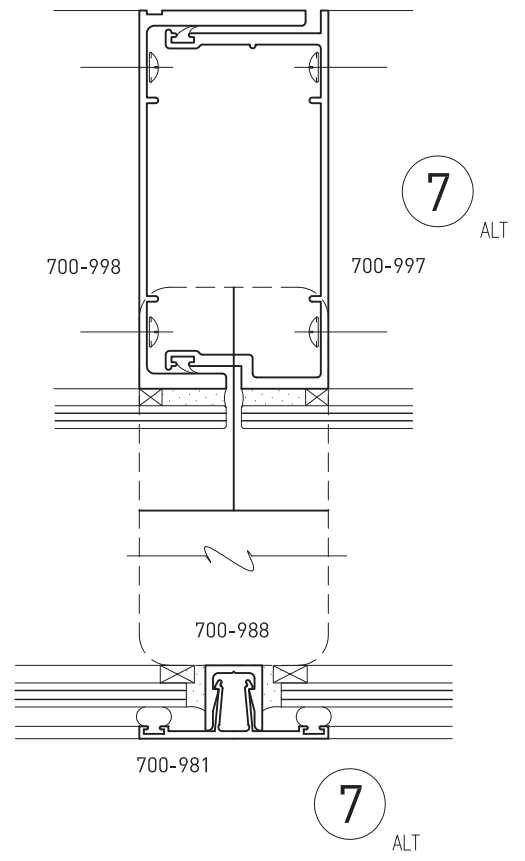
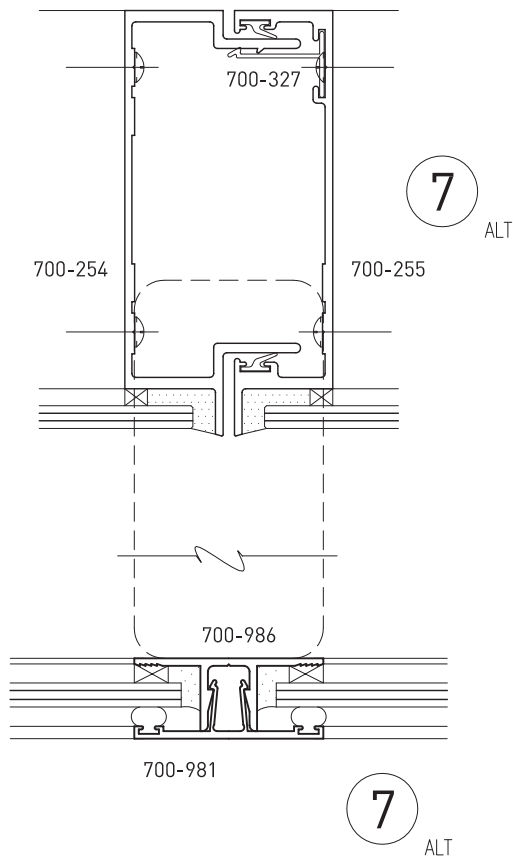
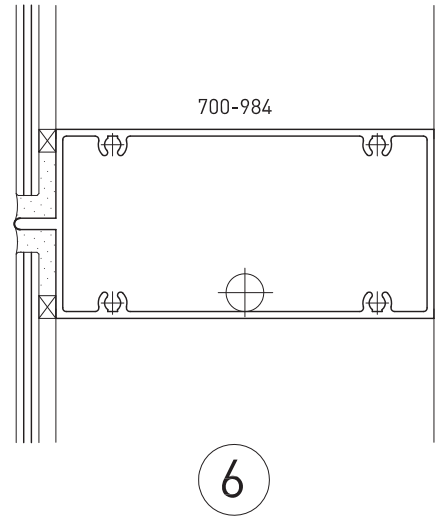
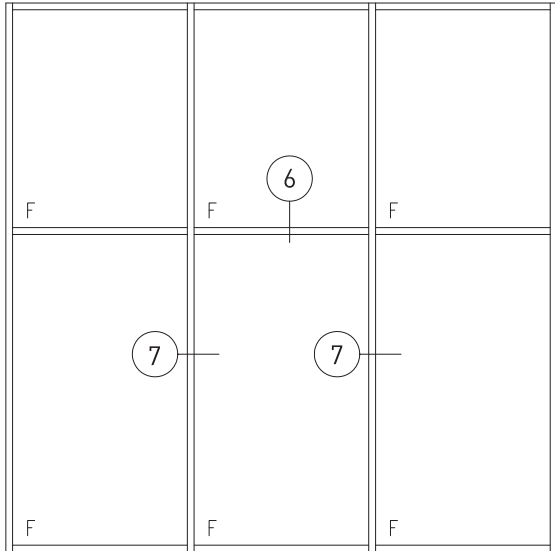
4

5

### Typical Configurations



**Typical Configurations**



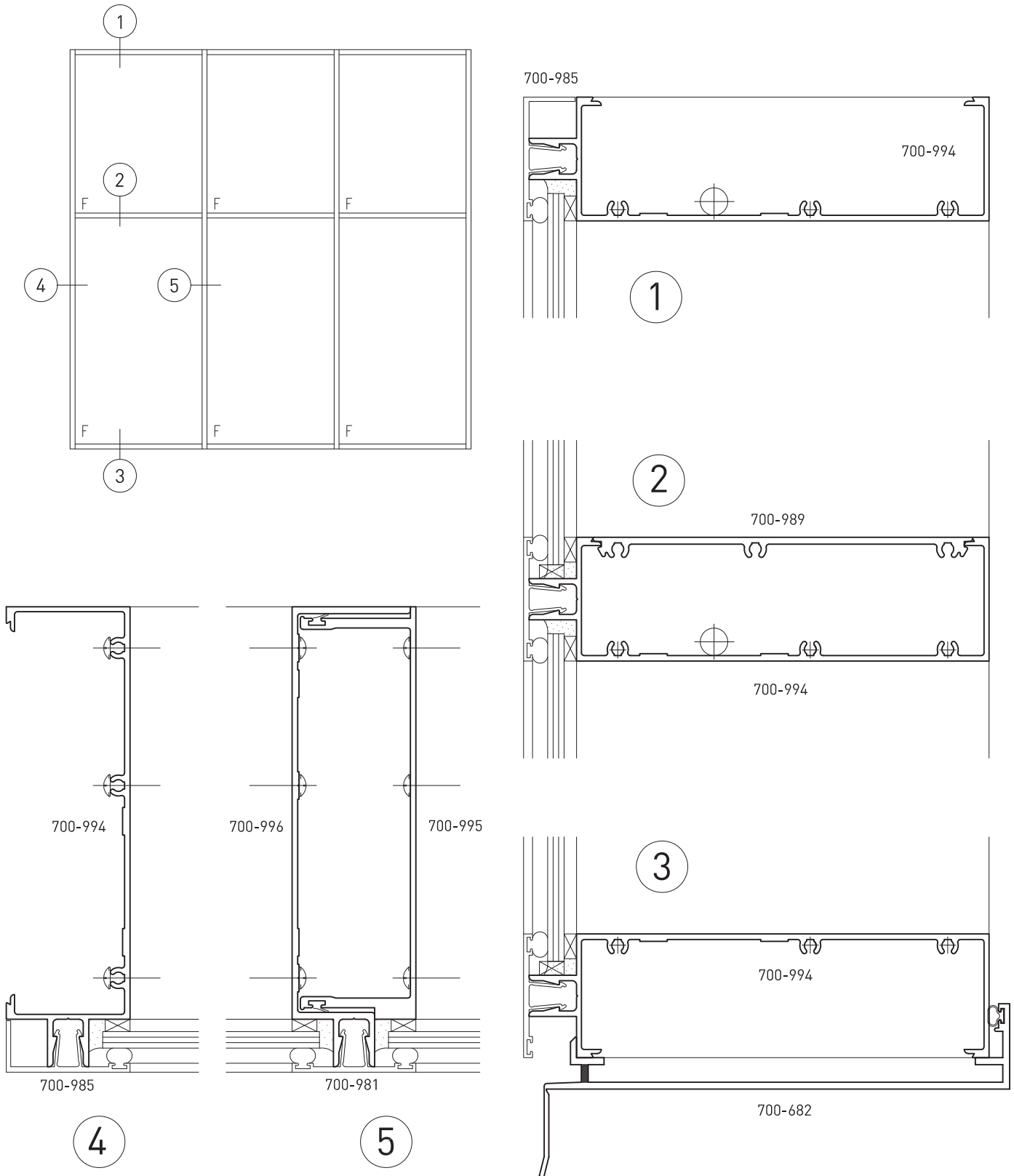
# COMMERCIAL RANGE 719 SYSTEM

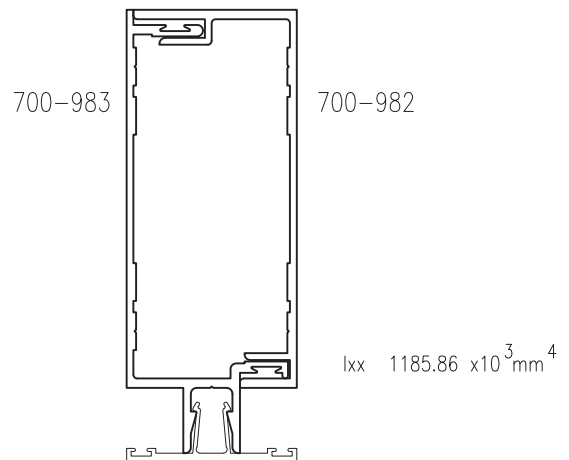
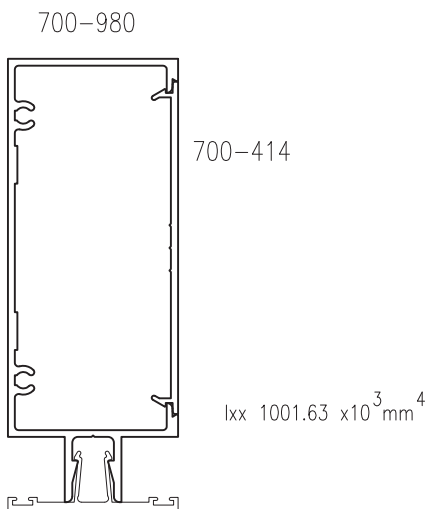
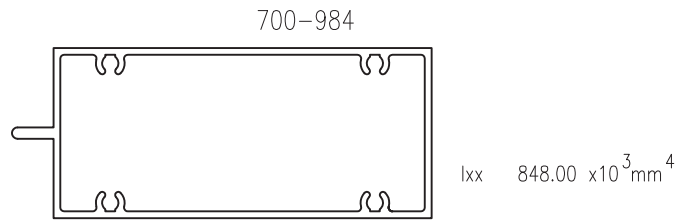
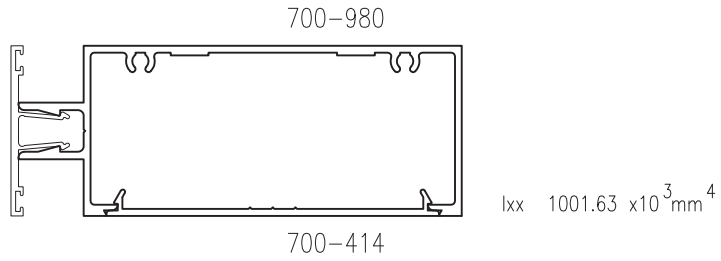
## Emporia™ 100mm/150mm External Cap



Date: Jan 2013  
Replaces: Dec 2012

### Typical Configurations

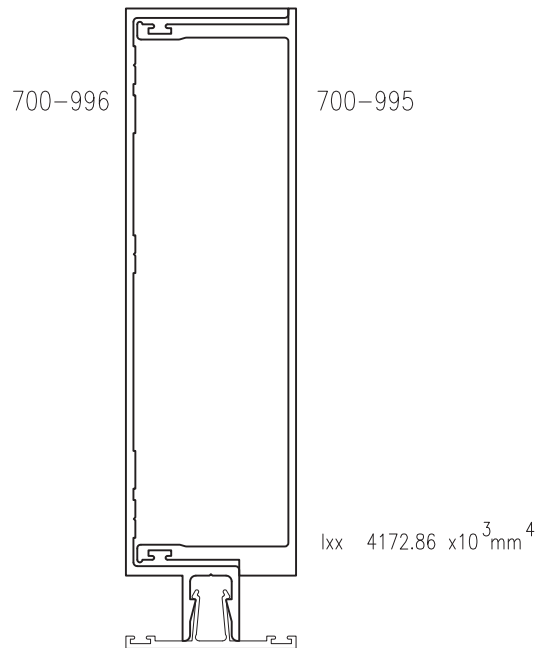
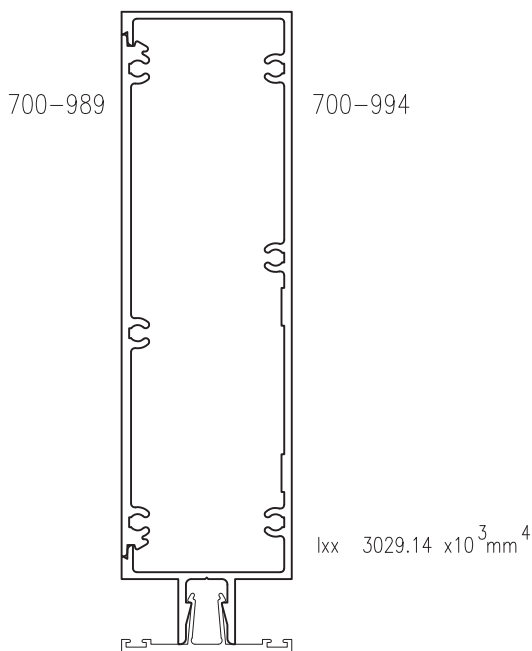
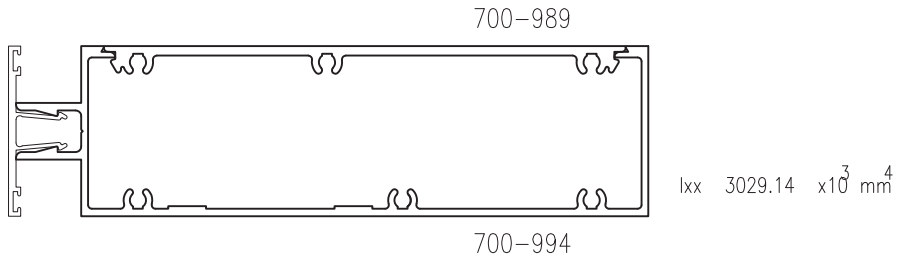


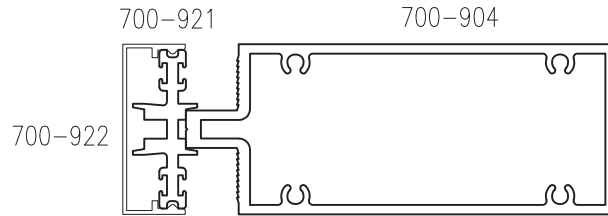




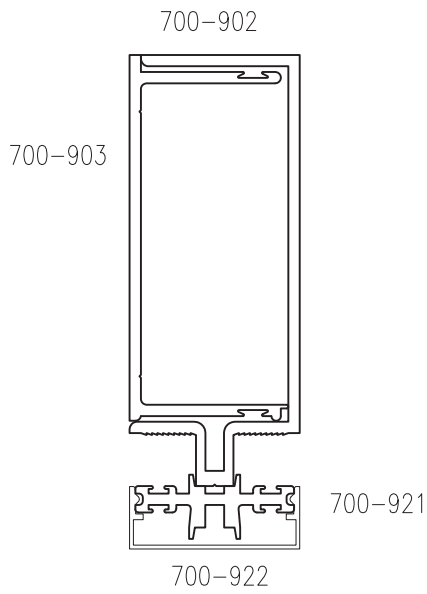
# COMMERCIAL RANGE 719 SYSTEM

## Emporia™ 100mm/150mm External Cap

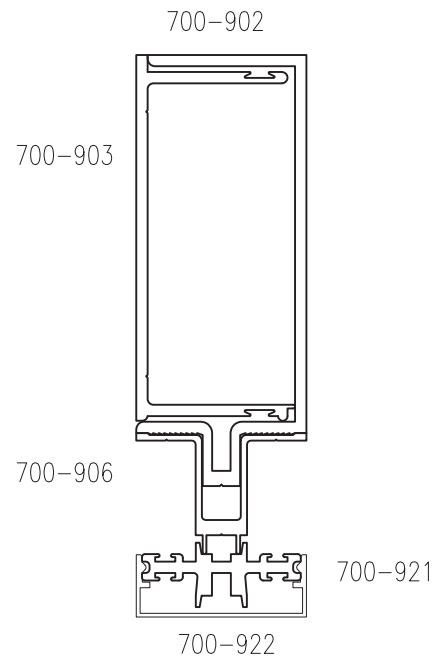




$I_{xx} \quad 1356.76 \times 10^3 \text{ mm}^4$



$I_{xx} \quad 1684.20 \times 10^3 \text{ mm}^4$



$I_{xx} \quad 1704.87 \times 10^3 \text{ mm}^4$