



## COMMERCIAL RANGE 710 SYSTEM

Emporia™ Centre Glazed – 100mm and 150mm

### Specifier Guide

---

The Lidco Specifier's Guide contains technical information, maximum permissible sizes, typical configurations, energy ratings and key design features and benefits.





## Overview

A 100mm and 150mm centre glazed commercial framing system ideally suited for shopping centres, offices, showrooms and commercial buildings. Can be either single or double glazed\*. Glass can be fitted to the frame using external captive and internal roll-in glazing wedges or roll-in wedges on both sides. The use of an external captive glazing wedge and an internal roll-in wedge prevents vandalism in ground floor applications.

There are a number of hinged doors available which can also be set up as sliding doors. As sliding doors they can either be top hung (in order to provide as level transition through the entrance as possible) or bottom rolling track mounted.

There are a number of awning/casement windows that can be incorporated into the 100mm frame and the sash options include flat and bevelled faces.

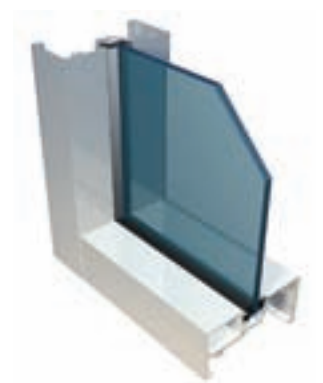
Two sliding windows systems and a double hung system have been designed to be incorporated into the 100mm frame.

A unique 100mm three-way coupling post is available to provide a seamless connection at 90° and/or 180°. Infill glazing adaptors permit both single glazing and double glazed IGU's to be recessed into the post, thereby avoiding the bulk associated with unnecessary additional jambs. The coupling post can also be used to couple together Lidco's vast range of 100mm systems including windows and doors.

A number of Lidco bifold and sliding door systems and can be coupled to this system.

Adjustable Klimat Lanai Louvres™ can be easily fitted to this system.

Sub-sill, sub-head and sub-jamb options are available to aid on-site installation.



Maximum Glass Thickness
≤25mm IGU

## Features

- Single glazing options range from 5mm to 10.38mm and the double glazed option is designed to accept a 25mm IGU
- In high wind load areas added structural strength is achieved with the use of heavy duty mullions and there is a choice of transoms for fabricators to choose from
- All double glazed fixed frame sections can take up to 32mm IGU glass thickness utilising the wet glaze (silicone) technique
- The 27mm deep glazing pocket is designed to provide sufficient depth to allow the glass to be inserted easily without damage
- Lidco Emporia™ Commercial Doors (716 and 717 Systems) can be incorporated into the 710 System both in hinged and sliding configurations
- The following Lidco awning/casement sashes can be incorporated into the 100mm frame:
  - DuoTherm™ awning flush sash from the 373 System
  - Thermaview™ awning overlap sash from the 413 system (flat face and beveled sashes available\*\*)
- The Pinnacle™ stacking door can be coupled to the 150mm frame
- The following Lidco window systems can be incorporated into the 100mm frame:
  - Architectural sliding window - 772 System
  - Pinnacle™ sliding window - 746 System
  - Pinnacle™ double hung window - 748 System
  - Adjustable Klimat Lanai Louvres™ can be fitted to the reveals of both 100mm and 150mm frames using top and bottom weather bars
- The following Lidco bifold doors can be coupled to the 100mm frame:
  - Pinnacle™ bifold door - 744 System
  - Lifestyle™ bifold door - 615 System
- The following Lidco sliding doors can be coupled to the 100mm frame:
  - Lifestyle™ sliding door - 130 System
  - Alto™ sliding door - 360 System
  - Pinnacle™ sliding door - 735 System

\*150mm double glazed frame subject to lead times  
\*\*Single glazed only

## How to Specify

- Aluminium frames to be manufactured using Lidco 710 System: Emporia™ Centre Glazed Commercial Framing
- Selected framing to be engineered, manufactured and installed in accordance with:
  - AS 2047-2048 (Windows in Buildings)
  - AS/NZS 1170 (Loading Code)
  - AS/NZS 1664 (Aluminium Structures Code)
- Selected glazing to be in line with performance requirements as set out in AS 1288 (Glass in Buildings)
- Size limitations are governed by design intent, glass selection and local wind load and deflection requirements



For any specification assistance please call to speak to one of our friendly and knowledgeable technical sales team on 1300 663 848 or email [techsupport@lidco.com.au](mailto:techsupport@lidco.com.au)



710 System Specifier Guide, CAD, PDF files and more are available at [www.lidco.com.au](http://www.lidco.com.au)

## WERS Energy Ratings



Glazing	Cooling	Heating	Uw*	SHGC*	Tvw*
6mm Clear	27%	14%	6.1	0.72	0.77
6.38mm ComfortPlus	46%	21%	4.3	0.45	0.51
10mm Clear	31%	15%	6.0	0.66	0.74
10.38mm Laminate	31%	16%	6.0	0.67	0.76
6.38mm Lam / 12mm Air / 6.38mm CP	50%	41%	2.9	0.52	0.45
10.38mm Lam / 12mm Ar / 8.38mm CP	50%	43%	2.7	0.51	0.44

\*Notes: **Uw** is the whole window U-value  
**SHGC** is the whole window solar heat gain coefficient  
**Tvw** is the whole window visible (light) transmittance  
 More energy ratings available at [www.lidco.com.au/energy-ratings](http://www.lidco.com.au/energy-ratings)



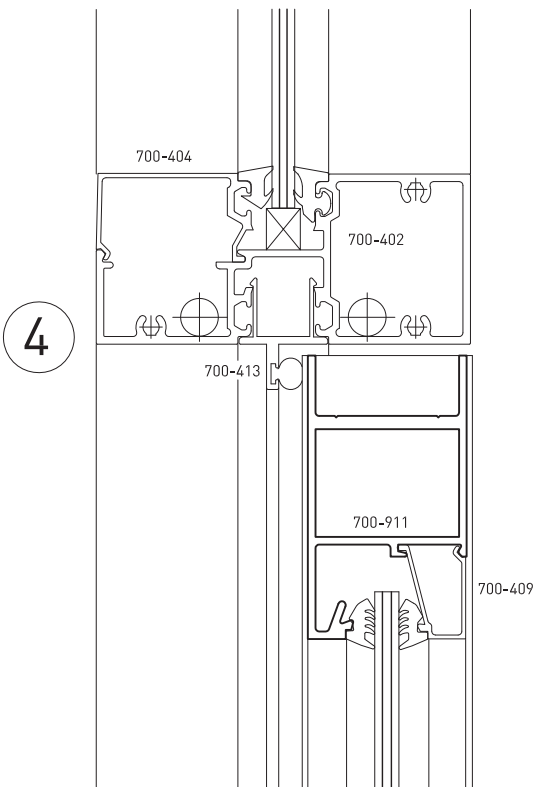
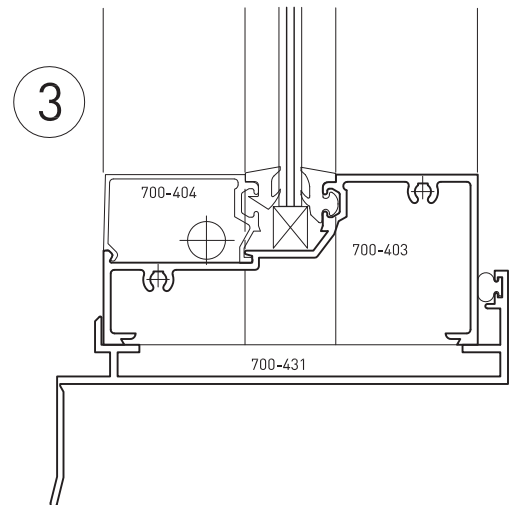
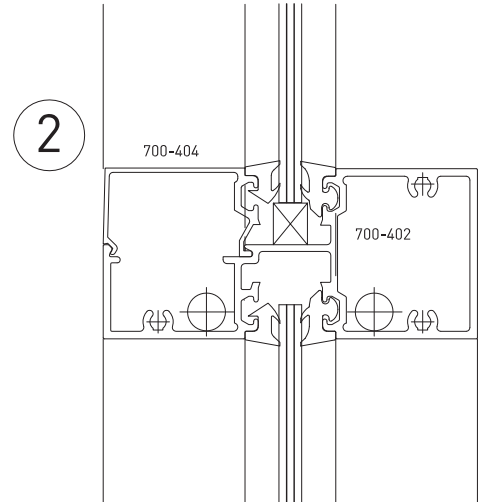
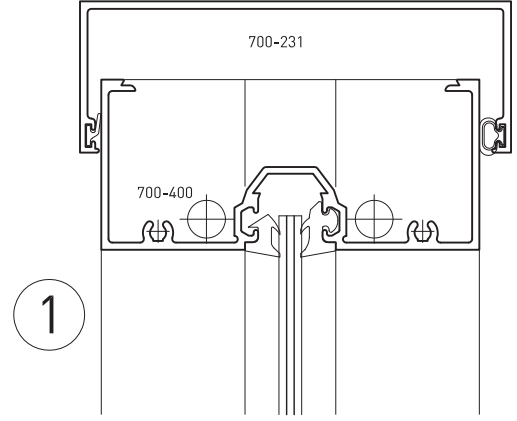
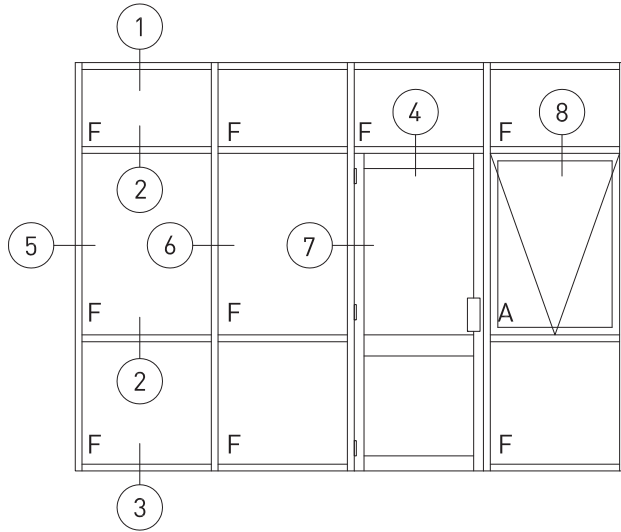
Lidco Corporation Pty Ltd  
 T 1300 663 848  
[techsupport@lidco.com.au](mailto:techsupport@lidco.com.au)  
[www.lidco.com.au](http://www.lidco.com.au)

Founded in Australia over 65 years ago Lidco is a leading designer and supplier of contemporary and high performance residential and commercial aluminium window and door systems

© 2013 Lidco Corporation Pty Ltd

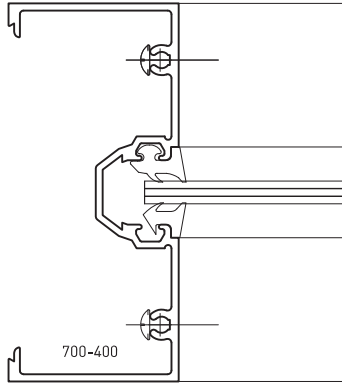
Your nearest supplier:

**Typical Configurations**

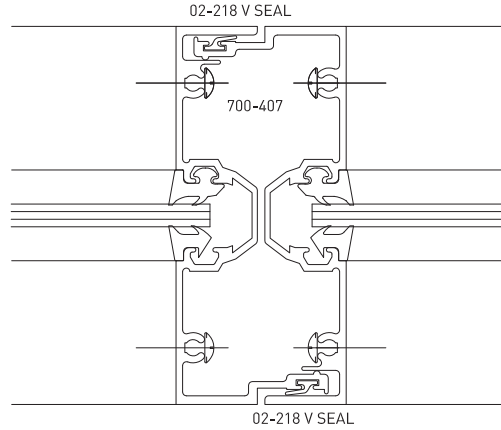


**NOTE:**  
FOR DESIGN END USE LIMITS AND  
STRUCTURAL PERFORMANCE, REFER  
TO SALES OFFICE

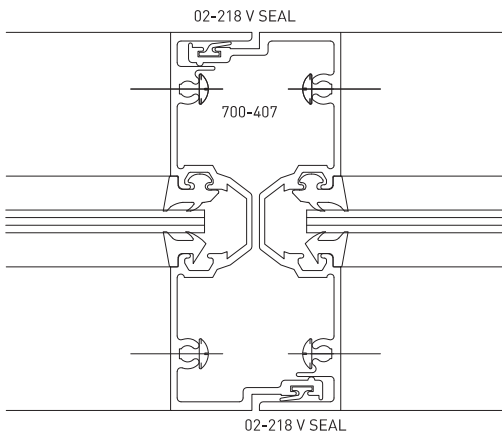
**Typical Configurations**



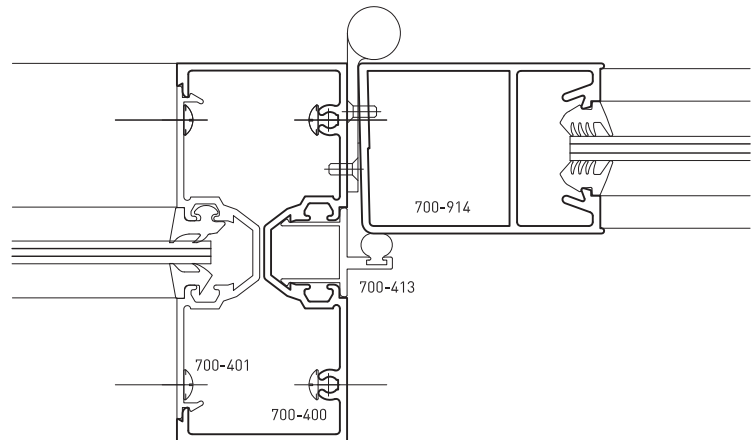
5



6



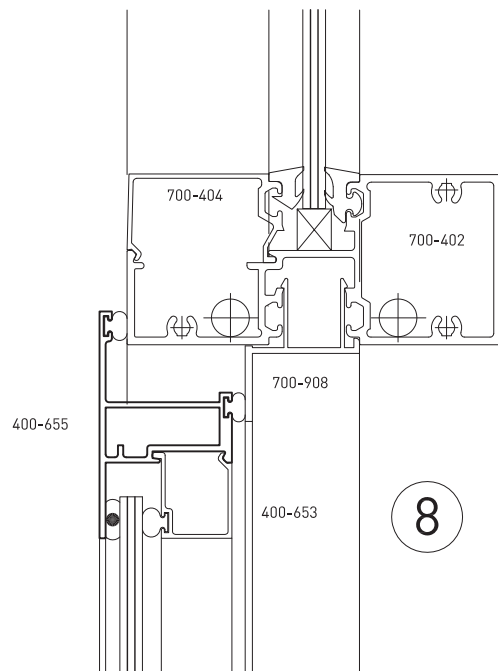
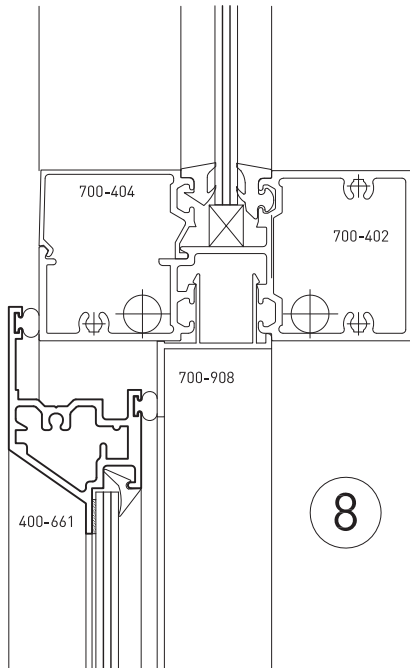
6



7

**NOTE:**  
 FOR DESIGN END USE LIMITS AND STRUCTURAL PERFORMANCE, REFER TO SALES OFFICE

### Typical Configurations



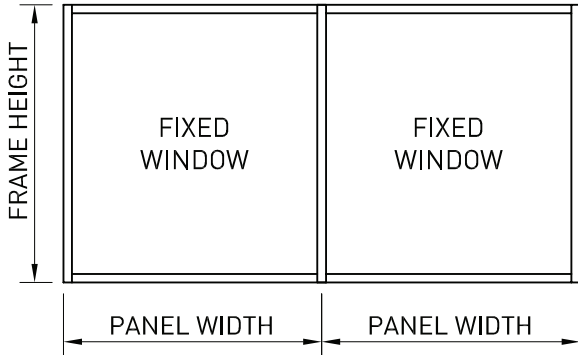
# COMMERCIAL RANGE 710 SYSTEM

## Emporia™ 100mm/150mm Centre Glazed



Date: Jan 2013  
Replaces: Dec 2012

### Loading Tables



The following calculations are based on theoretical section properties, not on approved tests as specified by AS2047. The Design Wind Pressure is used to calculate the theoretical maximum panel size and does not account for Water Penetration. For more detailed information on suitability please contact Lidco directly.

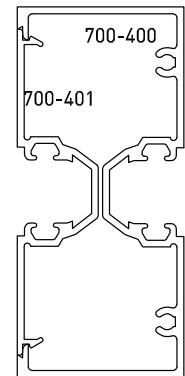
Residential Deflection ratio, K = 180  
Commercial Deflection ratio, K = 250

Note:  
The following figure is calculated based on fixed window only.

#### MULLION TYPE 1 - RESIDENTIAL (SINGLE GLAZED FIXED WINDOW)

Panel Width	500	600	700	800	900	1000	1100	1200	1300	1400	1500
Frame Height											
1800	3.0kPa	3.0kPa	3.0kPa	3.0kPa	3.0kPa	3.0kPa	3.0kPa	3.0kPa	3.0kPa	3.0kPa	3.0kPa
1900	3.0kPa	3.0kPa	3.0kPa	3.0kPa	3.0kPa	3.0kPa	3.0kPa	3.0kPa	3.0kPa	3.0kPa	3.0kPa
2000	3.0kPa	3.0kPa	3.0kPa	3.0kPa	3.0kPa	3.0kPa	3.0kPa	3.0kPa	3.0kPa	3.0kPa	3.0kPa
2100	3.0kPa	3.0kPa	3.0kPa	3.0kPa	3.0kPa	3.0kPa	3.0kPa	2.2kPa	2.2kPa	2.2kPa	2.2kPa
2200	3.0kPa	3.0kPa	3.0kPa	3.0kPa	3.0kPa	2.2kPa	2.2kPa	2.2kPa	2.2kPa	2.2kPa	1.5kPa
2300	3.0kPa	3.0kPa	3.0kPa	3.0kPa	2.2kPa	2.2kPa	2.2kPa	1.5kPa	1.5kPa	1.5kPa	1.5kPa
2400	3.0kPa	3.0kPa	2.2kPa	2.2kPa	2.2kPa	1.5kPa	1.5kPa	1.5kPa	1.5kPa	1.5kPa	1.5kPa
2500	3.0kPa	3.0kPa	2.2kPa	2.2kPa	1.5kPa	1.5kPa	1.5kPa	1.5kPa	1.5kPa	1.0kPa	1.0kPa
2600	3.0kPa	2.2kPa	2.2kPa	1.5kPa	1.5kPa	1.5kPa	1.5kPa	1.0kPa	1.0kPa	1.0kPa	1.0kPa
2700	2.2kPa	2.2kPa	1.5kPa	1.5kPa	1.5kPa	1.0kPa	1.0kPa	1.0kPa	1.0kPa	1.0kPa	1.0kPa
2800	2.2kPa	1.5kPa	1.5kPa	1.5kPa	1.0kPa	1.0kPa	1.0kPa	1.0kPa	1.0kPa	0.7kPa	0.7kPa
2900	2.2kPa	1.5kPa	1.5kPa	1.0kPa	1.0kPa	1.0kPa	1.0kPa	0.7kPa	0.7kPa	0.7kPa	0.7kPa
3000	1.5kPa	1.5kPa	1.0kPa	1.0kPa	1.0kPa	1.0kPa	0.7kPa	0.7kPa	0.7kPa	0.7kPa	0.7kPa

Single Glazed 100mm MULLION TYPE 1



Ixx 829.84 x 10<sup>3</sup> mm<sup>4</sup>

#### MULLION TYPE 1 - COMMERCIAL (SINGLE GLAZED FIXED WINDOW)

Panel Width	500	600	700	800	900	1000	1100	1200	1300	1400	1500
Frame Height											
1800	3.0kPa	3.0kPa	3.0kPa	3.0kPa	3.0kPa	3.0kPa	3.0kPa	3.0kPa	3.0kPa	3.0kPa	3.0kPa
1900	3.0kPa	3.0kPa	3.0kPa	3.0kPa	3.0kPa	3.0kPa	3.0kPa	3.0kPa	2.2kPa	2.2kPa	2.2kPa
2000	3.0kPa	3.0kPa	3.0kPa	3.0kPa	3.0kPa	2.2kPa	2.2kPa	2.2kPa	2.2kPa	2.2kPa	2.2kPa
2100	3.0kPa	3.0kPa	3.0kPa	2.2kPa	2.2kPa	2.2kPa	2.2kPa	1.5kPa	1.5kPa	1.5kPa	1.5kPa
2200	3.0kPa	3.0kPa	2.2kPa	2.2kPa	2.2kPa	1.5kPa	1.5kPa	1.5kPa	1.5kPa	1.5kPa	1.5kPa
2300	3.0kPa	2.2kPa	2.2kPa	1.5kPa	1.5kPa	1.5kPa	1.5kPa	1.5kPa	1.0kPa	1.0kPa	1.0kPa
2400	2.2kPa	2.2kPa	1.5kPa	1.5kPa	1.5kPa	1.5kPa	1.0kPa	1.0kPa	1.0kPa	1.0kPa	1.0kPa
2500	2.2kPa	1.5kPa	1.5kPa	1.5kPa	1.0kPa	1.0kPa	1.0kPa	1.0kPa	1.0kPa	1.0kPa	0.7kPa
2600	2.2kPa	1.5kPa	1.5kPa	1.0kPa	1.0kPa	1.0kPa	1.0kPa	1.0kPa	0.7kPa	0.7kPa	0.7kPa
2700	1.5kPa	1.5kPa	1.0kPa	1.0kPa	1.0kPa	1.0kPa	0.7kPa	0.7kPa	0.7kPa	0.7kPa	0.7kPa
2800	1.5kPa	1.5kPa	1.0kPa	1.0kPa	1.0kPa	0.7kPa	0.7kPa	0.7kPa	0.7kPa	0.7kPa	0.5kPa
2900	1.5kPa	1.0kPa	1.0kPa	1.0kPa	0.7kPa	0.7kPa	0.7kPa	0.7kPa	0.5kPa	0.5kPa	0.5kPa
3000	1.0kPa	1.0kPa	1.0kPa	0.7kPa	0.7kPa	0.7kPa	0.5kPa	0.5kPa	0.5kPa	0.5kPa	0.5kPa

### Loading Tables

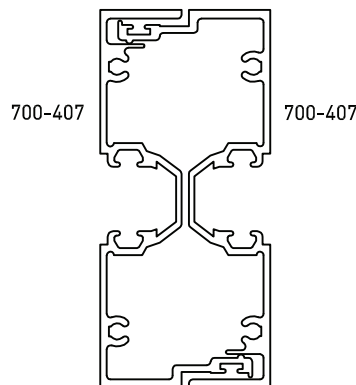
#### MULLION TYPE 2 - RESIDENTIAL (SINGLE GLAZED FIXED WINDOW)

Panel Width	500	600	700	800	900	1000	1100	1200	1300	1400	1500
Frame Height											
1800	3.0kPa	3.0kPa	3.0kPa	3.0kPa	3.0kPa	3.0kPa	3.0kPa	3.0kPa	3.0kPa	3.0kPa	3.0kPa
1900	3.0kPa	3.0kPa	3.0kPa	3.0kPa	3.0kPa	3.0kPa	3.0kPa	3.0kPa	3.0kPa	3.0kPa	3.0kPa
2000	3.0kPa	3.0kPa	3.0kPa	3.0kPa	3.0kPa	3.0kPa	3.0kPa	3.0kPa	3.0kPa	3.0kPa	3.0kPa
2100	3.0kPa	3.0kPa	3.0kPa	3.0kPa	3.0kPa	3.0kPa	3.0kPa	3.0kPa	3.0kPa	3.0kPa	3.0kPa
2200	3.0kPa	3.0kPa	3.0kPa	3.0kPa	3.0kPa	3.0kPa	3.0kPa	3.0kPa	3.0kPa	3.0kPa	2.2kPa
2300	3.0kPa	3.0kPa	3.0kPa	3.0kPa	3.0kPa	3.0kPa	3.0kPa	2.2kPa	2.2kPa	2.2kPa	2.2kPa
2400	3.0kPa	3.0kPa	3.0kPa	3.0kPa	3.0kPa	2.2kPa	2.2kPa	2.2kPa	2.2kPa	2.2kPa	1.5kPa
2500	3.0kPa	3.0kPa	3.0kPa	3.0kPa	2.2kPa	2.2kPa	2.2kPa	2.2kPa	1.5kPa	1.5kPa	1.5kPa
2600	3.0kPa	3.0kPa	3.0kPa	2.2kPa	2.2kPa	2.2kPa	1.5kPa	1.5kPa	1.5kPa	1.5kPa	1.5kPa
2700	3.0kPa	3.0kPa	2.2kPa	2.2kPa	2.2kPa	1.5kPa	1.5kPa	1.5kPa	1.5kPa	1.5kPa	1.0kPa
2800	3.0kPa	2.2kPa	2.2kPa	1.5kPa	1.5kPa	1.5kPa	1.5kPa	1.5kPa	1.0kPa	1.0kPa	1.0kPa
2900	3.0kPa	2.2kPa	2.2kPa	1.5kPa	1.5kPa	1.5kPa	1.0kPa	1.0kPa	1.0kPa	1.0kPa	1.0kPa
3000	2.2kPa	2.2kPa	1.5kPa	1.5kPa	1.5kPa	1.0kPa	1.0kPa	1.0kPa	1.0kPa	1.0kPa	1.0kPa

#### MULLION TYPE 2 - COMMERCIAL (SINGLE GLAZED FIXED WINDOW)

Panel Width	500	600	700	800	900	1000	1100	1200	1300	1400	1500
Frame Height											
1800	3.0kPa	3.0kPa	3.0kPa	3.0kPa	3.0kPa	3.0kPa	3.0kPa	3.0kPa	3.0kPa	3.0kPa	3.0kPa
1900	3.0kPa	3.0kPa	3.0kPa	3.0kPa	3.0kPa	3.0kPa	3.0kPa	3.0kPa	3.0kPa	3.0kPa	3.0kPa
2000	3.0kPa	3.0kPa	3.0kPa	3.0kPa	3.0kPa	3.0kPa	3.0kPa	3.0kPa	3.0kPa	3.0kPa	3.0kPa
2100	3.0kPa	3.0kPa	3.0kPa	3.0kPa	3.0kPa	3.0kPa	3.0kPa	2.2kPa	2.2kPa	2.2kPa	2.2kPa
2200	3.0kPa	3.0kPa	3.0kPa	3.0kPa	3.0kPa	2.2kPa	2.2kPa	2.2kPa	2.2kPa	2.2kPa	1.5kPa
2300	3.0kPa	3.0kPa	3.0kPa	2.2kPa	2.2kPa	2.2kPa	2.2kPa	1.5kPa	1.5kPa	1.5kPa	1.5kPa
2400	3.0kPa	3.0kPa	2.2kPa	2.2kPa	2.2kPa	1.5kPa	1.5kPa	1.5kPa	1.5kPa	1.5kPa	1.5kPa
2500	3.0kPa	2.2kPa	2.2kPa	2.2kPa	1.5kPa	1.5kPa	1.5kPa	1.5kPa	1.5kPa	1.0kPa	1.0kPa
2600	3.0kPa	2.2kPa	2.2kPa	1.5kPa	1.5kPa	1.5kPa	1.5kPa	1.0kPa	1.0kPa	1.0kPa	1.0kPa
2700	2.2kPa	2.2kPa	1.5kPa	1.5kPa	1.5kPa	1.0kPa	1.0kPa	1.0kPa	1.0kPa	1.0kPa	1.0kPa
2800	2.2kPa	1.5kPa	1.5kPa	1.5kPa	1.0kPa	1.0kPa	1.0kPa	1.0kPa	1.0kPa	0.7kPa	0.7kPa
2900	2.2kPa	1.5kPa	1.5kPa	1.0kPa	1.0kPa	1.0kPa	1.0kPa	0.7kPa	0.7kPa	0.7kPa	0.7kPa
3000	1.5kPa	1.5kPa	1.0kPa	1.0kPa	1.0kPa	1.0kPa	0.7kPa	0.7kPa	0.7kPa	0.7kPa	0.7kPa

#### Single Glazed 100mm MULLION TYPE 2



1 x 1133.6 x 10<sup>3</sup> mm<sup>4</sup>



Loading Tables

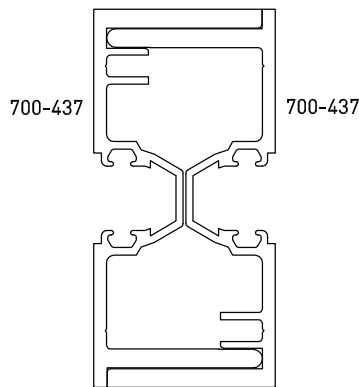
MULLION TYPE 3 - RESIDENTIAL (SINGLE GLAZED FIXED WINDOW)

Panel Width	500	600	700	800	900	1000	1100	1200	1300	1400	1500
Frame Height											
3000	3.0kPa	3.0kPa	3.0kPa	3.0kPa	3.0kPa	2.2kPa	2.2kPa	2.2kPa	2.2kPa	2.2kPa	1.5kPa
3100	3.0kPa	3.0kPa	3.0kPa	3.0kPa	2.2kPa	2.2kPa	2.2kPa	2.2kPa	1.5kPa	1.5kPa	1.5kPa
3200	3.0kPa	3.0kPa	3.0kPa	2.2kPa	2.2kPa	2.2kPa	1.5kPa	1.5kPa	1.5kPa	1.5kPa	1.5kPa
3300	3.0kPa	3.0kPa	3.0kPa	2.2kPa	2.2kPa	1.5kPa	1.5kPa	1.5kPa	1.5kPa	1.5kPa	1.5kPa
3400	3.0kPa	3.0kPa	2.2kPa	2.2kPa	1.5kPa	1.5kPa	1.5kPa	1.5kPa	1.5kPa	1.0kPa	1.0kPa
3500	3.0kPa	2.2kPa	2.2kPa	2.2kPa	1.5kPa	1.5kPa	1.5kPa	1.5kPa	1.0kPa	1.0kPa	1.0kPa
3600	3.0kPa	2.2kPa	2.2kPa	1.5kPa	1.5kPa	1.5kPa	1.5kPa	1.0kPa	1.0kPa	1.0kPa	1.0kPa
3700	2.2kPa	2.2kPa	1.5kPa	1.5kPa	1.5kPa	1.5kPa	1.0kPa	1.0kPa	1.0kPa	1.0kPa	1.0kPa
3800	2.2kPa	2.2kPa	1.5kPa	1.5kPa	1.5kPa	1.0kPa	1.0kPa	1.0kPa	1.0kPa	1.0kPa	0.7kPa
3900	2.2kPa	1.5kPa	1.5kPa	1.5kPa	1.0kPa	1.0kPa	1.0kPa	1.0kPa	1.0kPa	0.7kPa	0.7kPa
4000	2.2kPa	1.5kPa	1.5kPa	1.0kPa	1.0kPa	1.0kPa	1.0kPa	0.7kPa	0.7kPa	0.7kPa	0.7kPa
4100	1.5kPa	1.5kPa	1.5kPa	1.0kPa	1.0kPa	1.0kPa	1.0kPa	0.7kPa	0.7kPa	0.7kPa	0.7kPa
4200	1.5kPa	1.5kPa	1.0kPa	1.0kPa	1.0kPa	1.0kPa	0.7kPa	0.7kPa	0.7kPa	0.7kPa	0.5kPa

MULLION TYPE 3 - COMMERCIAL (SINGLE GLAZED FIXED WINDOW)

Panel Width	500	600	700	800	900	1000	1100	1200	1300	1400	1500
Frame Height											
3000	3.0kPa	3.0kPa	2.2kPa	2.2kPa	2.2kPa	1.5kPa	1.5kPa	1.5kPa	1.5kPa	1.5kPa	1.5kPa
3100	3.0kPa	3.0kPa	2.2kPa	2.2kPa	1.5kPa	1.5kPa	1.5kPa	1.5kPa	1.5kPa	1.0kPa	1.0kPa
3200	3.0kPa	2.2kPa	2.2kPa	2.2kPa	1.5kPa	1.5kPa	1.5kPa	1.0kPa	1.0kPa	1.0kPa	1.0kPa
3300	3.0kPa	2.2kPa	1.5kPa	1.5kPa	1.5kPa	1.5kPa	1.0kPa	1.0kPa	1.0kPa	1.0kPa	1.0kPa
3400	2.2kPa	2.2kPa	1.5kPa	1.5kPa	1.5kPa	1.0kPa	1.0kPa	1.0kPa	1.0kPa	1.0kPa	0.7kPa
3500	2.2kPa	1.5kPa	1.5kPa	1.5kPa	1.0kPa	1.0kPa	1.0kPa	1.0kPa	1.0kPa	0.7kPa	0.7kPa
3600	2.2kPa	1.5kPa	1.5kPa	1.0kPa	1.0kPa	1.0kPa	1.0kPa	1.0kPa	0.7kPa	0.7kPa	0.7kPa
3700	1.5kPa	1.5kPa	1.5kPa	1.0kPa	1.0kPa	1.0kPa	0.7kPa	0.7kPa	0.7kPa	0.7kPa	0.7kPa
3800	1.5kPa	1.5kPa	1.0kPa	1.0kPa	1.0kPa	1.0kPa	0.7kPa	0.7kPa	0.7kPa	0.7kPa	0.5kPa
3900	1.5kPa	1.5kPa	1.0kPa	1.0kPa	1.0kPa	0.7kPa	0.7kPa	0.7kPa	0.7kPa	0.5kPa	0.5kPa
4000	1.5kPa	1.0kPa	1.0kPa	1.0kPa	0.7kPa	0.7kPa	0.7kPa	0.7kPa	0.5kPa	0.5kPa	0.5kPa
4100	1.5kPa	1.0kPa	1.0kPa	0.7kPa	0.7kPa	0.7kPa	0.7kPa	0.5kPa	0.5kPa	0.5kPa	0.5kPa
4200	1.0kPa	1.0kPa	1.0kPa	0.7kPa	0.7kPa	0.7kPa	0.5kPa	0.5kPa	0.5kPa	0.5kPa	0.5kPa

Single Glazed 100mm  
MULLION TYPE 3



Ixx 2325.4 x10<sup>3</sup> mm<sup>4</sup>

### Loading Tables

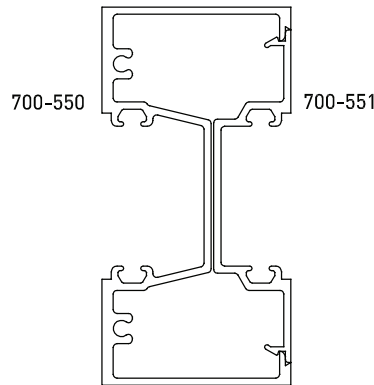
#### MULLION TYPE 1 - RESIDENTIAL (DOUBLE GLAZED FIXED WINDOW)

Panel Width	500	600	700	800	900	1000	1100	1200	1300	1400	1500
Frame Height											
1800	3.0kPa	3.0kPa	3.0kPa	3.0kPa	3.0kPa	3.0kPa	3.0kPa	3.0kPa	3.0kPa	3.0kPa	3.0kPa
1900	3.0kPa	3.0kPa	3.0kPa	3.0kPa	3.0kPa	3.0kPa	3.0kPa	3.0kPa	3.0kPa	3.0kPa	3.0kPa
2000	3.0kPa	3.0kPa	3.0kPa	3.0kPa	3.0kPa	3.0kPa	3.0kPa	3.0kPa	3.0kPa	3.0kPa	3.0kPa
2100	3.0kPa	3.0kPa	3.0kPa	3.0kPa	3.0kPa	3.0kPa	3.0kPa	3.0kPa	3.0kPa	3.0kPa	3.0kPa
2200	3.0kPa	3.0kPa	3.0kPa	3.0kPa	3.0kPa	3.0kPa	3.0kPa	3.0kPa	3.0kPa	2.2kPa	2.2kPa
2300	3.0kPa	3.0kPa	3.0kPa	3.0kPa	3.0kPa	3.0kPa	2.2kPa	2.2kPa	2.2kPa	2.2kPa	2.2kPa
2400	3.0kPa	3.0kPa	3.0kPa	3.0kPa	2.2kPa	2.2kPa	2.2kPa	2.2kPa	2.2kPa	1.5kPa	1.5kPa
2500	3.0kPa	3.0kPa	3.0kPa	2.2kPa	2.2kPa	2.2kPa	1.5kPa	1.5kPa	1.5kPa	1.5kPa	1.5kPa
2600	3.0kPa	3.0kPa	2.2kPa	2.2kPa	2.2kPa	1.5kPa	1.5kPa	1.5kPa	1.5kPa	1.5kPa	1.0kPa
2700	3.0kPa	2.2kPa	2.2kPa	2.2kPa	1.5kPa	1.5kPa	1.5kPa	1.5kPa	1.0kPa	1.0kPa	1.0kPa
2800	3.0kPa	2.2kPa	2.2kPa	1.5kPa	1.5kPa	1.5kPa	1.0kPa	1.0kPa	1.0kPa	1.0kPa	1.0kPa
2900	2.2kPa	2.2kPa	1.5kPa	1.5kPa	1.5kPa	1.0kPa	1.0kPa	1.0kPa	1.0kPa	1.0kPa	1.0kPa
3000	2.2kPa	1.5kPa	1.5kPa	1.5kPa	1.0kPa	1.0kPa	1.0kPa	1.0kPa	1.0kPa	0.7kPa	0.7kPa

#### MULLION TYPE 1 - COMMERCIAL (DOUBLE GLAZED FIXED WINDOW)

Panel Width	500	600	700	800	900	1000	1100	1200	1300	1400	1500
Frame Height											
1800	3.0kPa	3.0kPa	3.0kPa	3.0kPa	3.0kPa	3.0kPa	3.0kPa	3.0kPa	3.0kPa	3.0kPa	3.0kPa
1900	3.0kPa	3.0kPa	3.0kPa	3.0kPa	3.0kPa	3.0kPa	3.0kPa	3.0kPa	3.0kPa	3.0kPa	3.0kPa
2000	3.0kPa	3.0kPa	3.0kPa	3.0kPa	3.0kPa	3.0kPa	3.0kPa	3.0kPa	2.2kPa	2.2kPa	2.2kPa
2100	3.0kPa	3.0kPa	3.0kPa	3.0kPa	3.0kPa	3.0kPa	2.2kPa	2.2kPa	2.2kPa	2.2kPa	2.2kPa
2200	3.0kPa	3.0kPa	3.0kPa	3.0kPa	2.2kPa	2.2kPa	2.2kPa	2.2kPa	1.5kPa	1.5kPa	1.5kPa
2300	3.0kPa	3.0kPa	3.0kPa	2.2kPa	2.2kPa	2.2kPa	1.5kPa	1.5kPa	1.5kPa	1.5kPa	1.5kPa
2400	3.0kPa	3.0kPa	2.2kPa	2.2kPa	1.5kPa	1.5kPa	1.5kPa	1.5kPa	1.5kPa	1.0kPa	1.0kPa
2500	3.0kPa	2.2kPa	2.2kPa	1.5kPa	1.5kPa	1.5kPa	1.5kPa	1.0kPa	1.0kPa	1.0kPa	1.0kPa
2600	2.2kPa	2.2kPa	1.5kPa	1.5kPa	1.5kPa	1.0kPa	1.0kPa	1.0kPa	1.0kPa	1.0kPa	1.0kPa
2700	2.2kPa	1.5kPa	1.5kPa	1.5kPa	1.0kPa	1.0kPa	1.0kPa	1.0kPa	1.0kPa	0.7kPa	0.7kPa
2800	2.2kPa	1.5kPa	1.5kPa	1.0kPa	1.0kPa	1.0kPa	1.0kPa	0.7kPa	0.7kPa	0.7kPa	0.7kPa
2900	1.5kPa	1.5kPa	1.0kPa	1.0kPa	1.0kPa	1.0kPa	0.7kPa	0.7kPa	0.7kPa	0.7kPa	0.7kPa
3000	1.5kPa	1.5kPa	1.0kPa	1.0kPa	1.0kPa	0.7kPa	0.7kPa	0.7kPa	0.7kPa	0.7kPa	0.5kPa

Double Glazed 100mm  
MULLION TYPE 1



$I_{xx} 1025.0 \times 10^3 \text{ mm}^4$

### Loading Tables

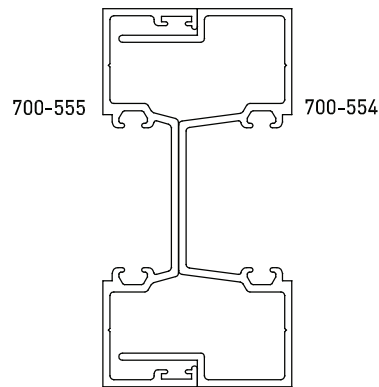
#### MULLION TYPE 2 - RESIDENTIAL (DOUBLE GLAZED FIXED WINDOW)

Panel Width	500	600	700	800	900	1000	1100	1200	1300	1400	1500
Frame Height											
1800	3.0kPa	3.0kPa	3.0kPa	3.0kPa	3.0kPa	3.0kPa	3.0kPa	3.0kPa	3.0kPa	3.0kPa	3.0kPa
1900	3.0kPa	3.0kPa	3.0kPa	3.0kPa	3.0kPa	3.0kPa	3.0kPa	3.0kPa	3.0kPa	3.0kPa	3.0kPa
2000	3.0kPa	3.0kPa	3.0kPa	3.0kPa	3.0kPa	3.0kPa	3.0kPa	3.0kPa	3.0kPa	3.0kPa	3.0kPa
2100	3.0kPa	3.0kPa	3.0kPa	3.0kPa	3.0kPa	3.0kPa	3.0kPa	3.0kPa	3.0kPa	3.0kPa	3.0kPa
2200	3.0kPa	3.0kPa	3.0kPa	3.0kPa	3.0kPa	3.0kPa	3.0kPa	3.0kPa	3.0kPa	3.0kPa	2.2kPa
2300	3.0kPa	3.0kPa	3.0kPa	3.0kPa	3.0kPa	3.0kPa	3.0kPa	2.2kPa	2.2kPa	2.2kPa	2.2kPa
2400	3.0kPa	3.0kPa	3.0kPa	3.0kPa	3.0kPa	2.2kPa	2.2kPa	2.2kPa	2.2kPa	2.2kPa	1.5kPa
2500	3.0kPa	3.0kPa	3.0kPa	3.0kPa	2.2kPa	2.2kPa	2.2kPa	1.5kPa	1.5kPa	1.5kPa	1.5kPa
2600	3.0kPa	3.0kPa	3.0kPa	2.2kPa	2.2kPa	2.2kPa	1.5kPa	1.5kPa	1.5kPa	1.5kPa	1.5kPa
2700	3.0kPa	3.0kPa	2.2kPa	2.2kPa	1.5kPa	1.5kPa	1.5kPa	1.5kPa	1.5kPa	1.0kPa	1.0kPa
2800	3.0kPa	2.2kPa	2.2kPa	1.5kPa	1.5kPa	1.5kPa	1.5kPa	1.0kPa	1.0kPa	1.0kPa	1.0kPa
2900	2.2kPa	2.2kPa	1.5kPa	1.5kPa	1.5kPa	1.5kPa	1.0kPa	1.0kPa	1.0kPa	1.0kPa	1.0kPa
3000	2.2kPa	2.2kPa	1.5kPa	1.5kPa	1.5kPa	1.0kPa	1.0kPa	1.0kPa	1.0kPa	1.0kPa	0.7kPa

#### MULLION TYPE 2 - COMMERCIAL (DOUBLE GLAZED FIXED WINDOW)

Panel Width	500	600	700	800	900	1000	1100	1200	1300	1400	1500
Frame Height											
1800	3.0kPa	3.0kPa	3.0kPa	3.0kPa	3.0kPa	3.0kPa	3.0kPa	3.0kPa	3.0kPa	3.0kPa	3.0kPa
1900	3.0kPa	3.0kPa	3.0kPa	3.0kPa	3.0kPa	3.0kPa	3.0kPa	3.0kPa	3.0kPa	3.0kPa	3.0kPa
2000	3.0kPa	3.0kPa	3.0kPa	3.0kPa	3.0kPa	3.0kPa	3.0kPa	3.0kPa	3.0kPa	3.0kPa	3.0kPa
2100	3.0kPa	3.0kPa	3.0kPa	3.0kPa	3.0kPa	3.0kPa	3.0kPa	2.2kPa	2.2kPa	2.2kPa	2.2kPa
2200	3.0kPa	3.0kPa	3.0kPa	3.0kPa	3.0kPa	2.2kPa	2.2kPa	2.2kPa	2.2kPa	1.5kPa	1.5kPa
2300	3.0kPa	3.0kPa	3.0kPa	2.2kPa	2.2kPa	2.2kPa	2.2kPa	1.5kPa	1.5kPa	1.5kPa	1.5kPa
2400	3.0kPa	3.0kPa	2.2kPa	2.2kPa	2.2kPa	1.5kPa	1.5kPa	1.5kPa	1.5kPa	1.5kPa	1.5kPa
2500	3.0kPa	2.2kPa	2.2kPa	2.2kPa	1.5kPa	1.5kPa	1.5kPa	1.5kPa	1.0kPa	1.0kPa	1.0kPa
2600	3.0kPa	2.2kPa	2.2kPa	1.5kPa	1.5kPa	1.5kPa	1.0kPa	1.0kPa	1.0kPa	1.0kPa	1.0kPa
2700	2.2kPa	2.2kPa	1.5kPa	1.5kPa	1.5kPa	1.0kPa	1.0kPa	1.0kPa	1.0kPa	1.0kPa	1.0kPa
2800	2.2kPa	1.5kPa	1.5kPa	1.5kPa	1.0kPa	1.0kPa	1.0kPa	1.0kPa	1.0kPa	0.7kPa	0.7kPa
2900	1.5kPa	1.5kPa	1.5kPa	1.0kPa	1.0kPa	1.0kPa	1.0kPa	0.7kPa	0.7kPa	0.7kPa	0.7kPa
3000	1.5kPa	1.5kPa	1.0kPa	1.0kPa	1.0kPa	1.0kPa	0.7kPa	0.7kPa	0.7kPa	0.7kPa	0.7kPa

Double Glazed 100mm  
MULLION TYPE 2



$I_{xx} 1100.0 \times 10^3 \text{ mm}^4$

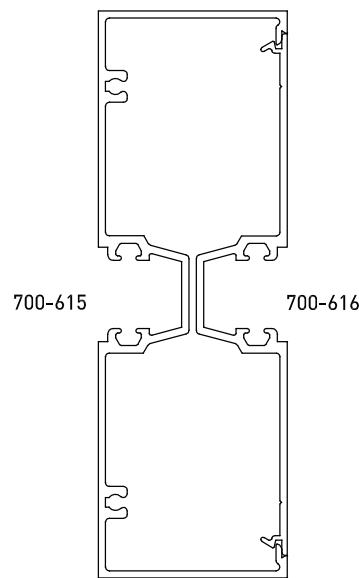
### Loading Tables

#### MULLION TYPE 1 - RESIDENTIAL (SINGLE GLAZED FIXED WINDOW)

Panel Width	500	600	700	800	900	1000	1100	1200	1300	1400	1500
Frame Height											
3000	3.0kPa	3.0kPa	3.0kPa	3.0kPa	3.0kPa	3.0kPa	2.2kPa	2.2kPa	2.2kPa	2.2kPa	1.5kPa
3100	3.0kPa	3.0kPa	3.0kPa	3.0kPa	3.0kPa	2.2kPa	2.2kPa	2.2kPa	1.5kPa	1.5kPa	1.5kPa
3200	3.0kPa	3.0kPa	3.0kPa	3.0kPa	2.2kPa	2.2kPa	2.2kPa	1.5kPa	1.5kPa	1.5kPa	1.5kPa
3300	3.0kPa	3.0kPa	3.0kPa	2.2kPa	2.2kPa	2.2kPa	1.5kPa	1.5kPa	1.5kPa	1.5kPa	1.5kPa
3400	3.0kPa	3.0kPa	2.2kPa	2.2kPa	2.2kPa	1.5kPa	1.5kPa	1.5kPa	1.5kPa	1.5kPa	1.0kPa
3500	3.0kPa	3.0kPa	2.2kPa	2.2kPa	1.5kPa	1.5kPa	1.5kPa	1.5kPa	1.0kPa	1.0kPa	1.0kPa
3600	3.0kPa	2.2kPa	2.2kPa	1.5kPa	1.5kPa	1.5kPa	1.5kPa	1.0kPa	1.0kPa	1.0kPa	1.0kPa
3700	3.0kPa	2.2kPa	2.2kPa	1.5kPa	1.5kPa	1.5kPa	1.0kPa	1.0kPa	1.0kPa	1.0kPa	1.0kPa
3800	2.2kPa	2.2kPa	1.5kPa	1.5kPa	1.5kPa	1.0kPa	1.0kPa	1.0kPa	1.0kPa	1.0kPa	0.7kPa
3900	2.2kPa	1.5kPa	1.5kPa	1.5kPa	1.0kPa	1.0kPa	1.0kPa	1.0kPa	1.0kPa	0.7kPa	0.7kPa
4000	2.2kPa	1.5kPa	1.5kPa	1.5kPa	1.0kPa	1.0kPa	1.0kPa	1.0kPa	0.7kPa	0.7kPa	0.7kPa
4100	2.2kPa	1.5kPa	1.5kPa	1.0kPa	1.0kPa	1.0kPa	1.0kPa	0.7kPa	0.7kPa	0.7kPa	0.7kPa
4200	1.5kPa	1.5kPa	1.0kPa	1.0kPa	1.0kPa	1.0kPa	0.7kPa	0.7kPa	0.7kPa	0.7kPa	0.7kPa

#### MULLION TYPE 1 - COMMERCIAL (SINGLE GLAZED FIXED WINDOW)

Panel Width	500	600	700	800	900	1000	1100	1200	1300	1400	1500
Frame Height											
3000	3.0kPa	3.0kPa	3.0kPa	2.2kPa	2.2kPa	1.5kPa	1.5kPa	1.5kPa	1.5kPa	1.5kPa	1.5kPa
3100	3.0kPa	3.0kPa	2.2kPa	2.2kPa	1.5kPa	1.5kPa	1.5kPa	1.5kPa	1.5kPa	1.0kPa	1.0kPa
3200	3.0kPa	2.2kPa	2.2kPa	2.2kPa	1.5kPa	1.5kPa	1.5kPa	1.5kPa	1.0kPa	1.0kPa	1.0kPa
3300	3.0kPa	2.2kPa	2.2kPa	1.5kPa	1.5kPa	1.5kPa	1.0kPa	1.0kPa	1.0kPa	1.0kPa	1.0kPa
3400	2.2kPa	2.2kPa	1.5kPa	1.5kPa	1.5kPa	1.0kPa	1.0kPa	1.0kPa	1.0kPa	1.0kPa	1.0kPa
3500	2.2kPa	1.5kPa	1.5kPa	1.5kPa	1.0kPa	1.0kPa	1.0kPa	1.0kPa	1.0kPa	0.7kPa	0.7kPa
3600	2.2kPa	1.5kPa	1.5kPa	1.5kPa	1.0kPa	1.0kPa	1.0kPa	1.0kPa	0.7kPa	0.7kPa	0.7kPa
3700	2.2kPa	1.5kPa	1.5kPa	1.0kPa	1.0kPa	1.0kPa	1.0kPa	0.7kPa	0.7kPa	0.7kPa	0.7kPa
3800	1.5kPa	1.5kPa	1.0kPa	1.0kPa	1.0kPa	1.0kPa	0.7kPa	0.7kPa	0.7kPa	0.7kPa	0.7kPa
3900	1.5kPa	1.5kPa	1.0kPa	1.0kPa	1.0kPa	0.7kPa	0.7kPa	0.7kPa	0.7kPa	0.7kPa	0.5kPa
4000	1.5kPa	1.0kPa	1.0kPa	1.0kPa	0.7kPa	0.7kPa	0.7kPa	0.7kPa	0.5kPa	0.5kPa	0.5kPa
4100	1.5kPa	1.0kPa	1.0kPa	1.0kPa	0.7kPa	0.7kPa	0.7kPa	0.5kPa	0.5kPa	0.5kPa	0.5kPa
4200	1.0kPa	1.0kPa	1.0kPa	0.7kPa	0.7kPa	0.7kPa	0.5kPa	0.5kPa	0.5kPa	0.5kPa	0.5kPa



Single Glazed 150mm  
MULLION TYPE 1

1 x 2412.1 x 10<sup>3</sup> mm<sup>4</sup>

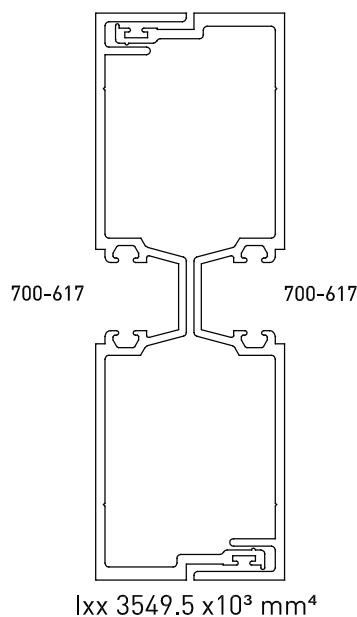
### Loading Tables

#### MULLION TYPE 2 - RESIDENTIAL (SINGLE GLAZED FIXED WINDOW)

Panel Width	500	600	700	800	900	1000	1100	1200	1300	1400	1500
3000	3.0kPa	3.0kPa	3.0kPa	3.0kPa	3.0kPa	3.0kPa	3.0kPa	3.0kPa	3.0kPa	3.0kPa	3.0kPa
3100	3.0kPa	3.0kPa	3.0kPa	3.0kPa	3.0kPa	3.0kPa	3.0kPa	3.0kPa	3.0kPa	3.0kPa	2.2kPa
3200	3.0kPa	3.0kPa	3.0kPa	3.0kPa	3.0kPa	3.0kPa	3.0kPa	3.0kPa	2.2kPa	2.2kPa	2.2kPa
3300	3.0kPa	3.0kPa	3.0kPa	3.0kPa	3.0kPa	3.0kPa	3.0kPa	2.2kPa	2.2kPa	2.2kPa	2.2kPa
3400	3.0kPa	3.0kPa	3.0kPa	3.0kPa	3.0kPa	3.0kPa	2.2kPa	2.2kPa	2.2kPa	2.2kPa	1.5kPa
3500	3.0kPa	3.0kPa	3.0kPa	3.0kPa	3.0kPa	2.2kPa	2.2kPa	2.2kPa	1.5kPa	1.5kPa	1.5kPa
3600	3.0kPa	3.0kPa	3.0kPa	3.0kPa	2.2kPa	2.2kPa	2.2kPa	1.5kPa	1.5kPa	1.5kPa	1.5kPa
3700	3.0kPa	3.0kPa	3.0kPa	2.2kPa	2.2kPa	2.2kPa	1.5kPa	1.5kPa	1.5kPa	1.5kPa	1.5kPa
3800	3.0kPa	3.0kPa	2.2kPa	2.2kPa	2.2kPa	1.5kPa	1.5kPa	1.5kPa	1.5kPa	1.5kPa	1.0kPa
3900	3.0kPa	3.0kPa	2.2kPa	2.2kPa	1.5kPa	1.5kPa	1.5kPa	1.5kPa	1.5kPa	1.0kPa	1.0kPa
4000	3.0kPa	2.2kPa	2.2kPa	2.2kPa	1.5kPa	1.5kPa	1.5kPa	1.5kPa	1.0kPa	1.0kPa	1.0kPa
4100	3.0kPa	2.2kPa	2.2kPa	1.5kPa	1.5kPa	1.5kPa	1.5kPa	1.0kPa	1.0kPa	1.0kPa	1.0kPa
4200	3.0kPa	2.2kPa	1.5kPa	1.5kPa	1.5kPa	1.5kPa	1.0kPa	1.0kPa	1.0kPa	1.0kPa	1.0kPa

#### MULLION TYPE 2 - COMMERCIAL (SINGLE GLAZED FIXED WINDOW)

Panel Width	500	600	700	800	900	1000	1100	1200	1300	1400	1500
3000	3.0kPa	3.0kPa	3.0kPa	3.0kPa	3.0kPa	3.0kPa	2.2kPa	2.2kPa	2.2kPa	2.2kPa	2.2kPa
3100	3.0kPa	3.0kPa	3.0kPa	3.0kPa	3.0kPa	2.2kPa	2.2kPa	2.2kPa	2.2kPa	1.5kPa	1.5kPa
3200	3.0kPa	3.0kPa	3.0kPa	3.0kPa	2.2kPa	2.2kPa	2.2kPa	2.2kPa	1.5kPa	1.5kPa	1.5kPa
3300	3.0kPa	3.0kPa	3.0kPa	2.2kPa	2.2kPa	2.2kPa	1.5kPa	1.5kPa	1.5kPa	1.5kPa	1.5kPa
3400	3.0kPa	3.0kPa	3.0kPa	2.2kPa	2.2kPa	1.5kPa	1.5kPa	1.5kPa	1.5kPa	1.5kPa	1.5kPa
3500	3.0kPa	3.0kPa	2.2kPa	2.2kPa	1.5kPa	1.5kPa	1.5kPa	1.5kPa	1.5kPa	1.0kPa	1.0kPa
3600	3.0kPa	2.2kPa	2.2kPa	2.2kPa	1.5kPa	1.5kPa	1.5kPa	1.5kPa	1.0kPa	1.0kPa	1.0kPa
3700	3.0kPa	2.2kPa	2.2kPa	1.5kPa	1.5kPa	1.5kPa	1.5kPa	1.0kPa	1.0kPa	1.0kPa	1.0kPa
3800	2.2kPa	2.2kPa	1.5kPa	1.5kPa	1.5kPa	1.5kPa	1.0kPa	1.0kPa	1.0kPa	1.0kPa	1.0kPa
3900	2.2kPa	2.2kPa	1.5kPa	1.5kPa	1.5kPa	1.0kPa	1.0kPa	1.0kPa	1.0kPa	1.0kPa	0.7kPa
4000	2.2kPa	1.5kPa	1.5kPa	1.5kPa	1.0kPa	1.0kPa	1.0kPa	1.0kPa	1.0kPa	0.7kPa	0.7kPa
4100	2.2kPa	1.5kPa	1.5kPa	1.0kPa	1.0kPa	1.0kPa	1.0kPa	1.0kPa	0.7kPa	0.7kPa	0.7kPa
4200	1.5kPa	1.5kPa	1.5kPa	1.0kPa	1.0kPa	1.0kPa	1.0kPa	0.7kPa	0.7kPa	0.7kPa	0.7kPa



Single Glazed 150mm  
MULLION TYPE 2

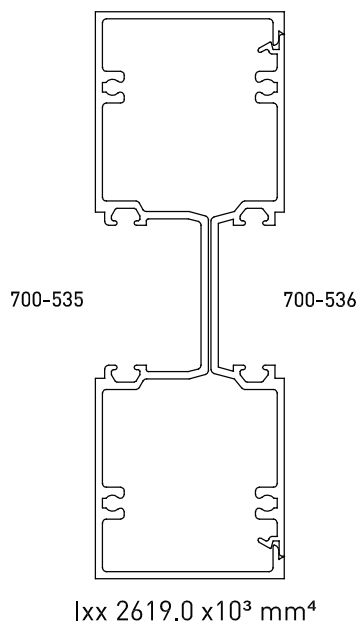
### Loading Tables

#### MULLION TYPE 1 - RESIDENTIAL (DOUBLE GLAZED FIXED WINDOW)

Panel Width	500	600	700	800	900	1000	1100	1200	1300	1400	1500
Frame Height											
3000	3.0kPa	3.0kPa	3.0kPa	3.0kPa	3.0kPa	3.0kPa	3.0kPa	2.2kPa	2.2kPa	2.2kPa	2.2kPa
3100	3.0kPa	3.0kPa	3.0kPa	3.0kPa	3.0kPa	2.2kPa	2.2kPa	2.2kPa	2.2kPa	2.2kPa	1.5kPa
3200	3.0kPa	3.0kPa	3.0kPa	3.0kPa	2.2kPa	2.2kPa	2.2kPa	2.2kPa	1.5kPa	1.5kPa	1.5kPa
3300	3.0kPa	3.0kPa	3.0kPa	3.0kPa	2.2kPa	2.2kPa	2.2kPa	1.5kPa	1.5kPa	1.5kPa	1.5kPa
3400	3.0kPa	3.0kPa	3.0kPa	2.2kPa	2.2kPa	2.2kPa	1.5kPa	1.5kPa	1.5kPa	1.5kPa	1.5kPa
3500	3.0kPa	3.0kPa	2.2kPa	2.2kPa	2.2kPa	1.5kPa	1.5kPa	1.5kPa	1.5kPa	1.5kPa	1.0kPa
3600	3.0kPa	3.0kPa	2.2kPa	2.2kPa	1.5kPa	1.5kPa	1.5kPa	1.5kPa	1.0kPa	1.0kPa	1.0kPa
3700	3.0kPa	2.2kPa	2.2kPa	1.5kPa	1.5kPa	1.5kPa	1.5kPa	1.0kPa	1.0kPa	1.0kPa	1.0kPa
3800	3.0kPa	2.2kPa	2.2kPa	1.5kPa	1.5kPa	1.5kPa	1.0kPa	1.0kPa	1.0kPa	1.0kPa	1.0kPa
3900	2.2kPa	2.2kPa	1.5kPa	1.5kPa	1.5kPa	1.0kPa	1.0kPa	1.0kPa	1.0kPa	1.0kPa	0.7kPa
4000	2.2kPa	1.5kPa	1.5kPa	1.5kPa	1.0kPa	1.0kPa	1.0kPa	1.0kPa	1.0kPa	0.7kPa	0.7kPa
4100	2.2kPa	1.5kPa	1.5kPa	1.5kPa	1.0kPa	1.0kPa	1.0kPa	1.0kPa	0.7kPa	0.7kPa	0.7kPa
4200	2.2kPa	1.5kPa	1.5kPa	1.0kPa	1.0kPa	1.0kPa	1.0kPa	0.7kPa	0.7kPa	0.7kPa	0.7kPa

#### MULLION TYPE 1 - COMMERCIAL (DOUBLE GLAZED FIXED WINDOW)

Panel Width	500	600	700	800	900	1000	1100	1200	1300	1400	1500
Frame Height											
3000	3.0kPa	3.0kPa	3.0kPa	2.2kPa	2.2kPa	2.2kPa	1.5kPa	1.5kPa	1.5kPa	1.5kPa	1.5kPa
3100	3.0kPa	3.0kPa	3.0kPa	2.2kPa	2.2kPa	1.5kPa	1.5kPa	1.5kPa	1.5kPa	1.5kPa	1.5kPa
3200	3.0kPa	3.0kPa	2.2kPa	2.2kPa	1.5kPa	1.5kPa	1.5kPa	1.5kPa	1.5kPa	1.0kPa	1.0kPa
3300	3.0kPa	2.2kPa	2.2kPa	1.5kPa	1.5kPa	1.5kPa	1.5kPa	1.0kPa	1.0kPa	1.0kPa	1.0kPa
3400	3.0kPa	2.2kPa	2.2kPa	1.5kPa	1.5kPa	1.5kPa	1.0kPa	1.0kPa	1.0kPa	1.0kPa	1.0kPa
3500	2.2kPa	2.2kPa	1.5kPa	1.5kPa	1.5kPa	1.0kPa	1.0kPa	1.0kPa	1.0kPa	1.0kPa	1.0kPa
3600	2.2kPa	1.5kPa	1.5kPa	1.5kPa	1.0kPa	1.0kPa	1.0kPa	1.0kPa	1.0kPa	0.7kPa	0.7kPa
3700	2.2kPa	1.5kPa	1.5kPa	1.5kPa	1.0kPa	1.0kPa	1.0kPa	1.0kPa	0.7kPa	0.7kPa	0.7kPa
3800	2.2kPa	1.5kPa	1.5kPa	1.0kPa	1.0kPa	1.0kPa	1.0kPa	1.0kPa	0.7kPa	0.7kPa	0.7kPa
3900	1.5kPa	1.5kPa	1.0kPa	1.0kPa	1.0kPa	1.0kPa	0.7kPa	0.7kPa	0.7kPa	0.7kPa	0.7kPa
4000	1.5kPa	1.5kPa	1.0kPa	1.0kPa	1.0kPa	0.7kPa	0.7kPa	0.7kPa	0.7kPa	0.7kPa	0.5kPa
4100	1.5kPa	1.0kPa	1.0kPa	1.0kPa	0.7kPa	0.7kPa	0.7kPa	0.7kPa	0.5kPa	0.5kPa	0.5kPa
4200	1.5kPa	1.0kPa	1.0kPa	1.0kPa	0.7kPa	0.7kPa	0.7kPa	0.5kPa	0.5kPa	0.5kPa	0.5kPa



Double Glazed 150mm  
MULLION TYPE 1

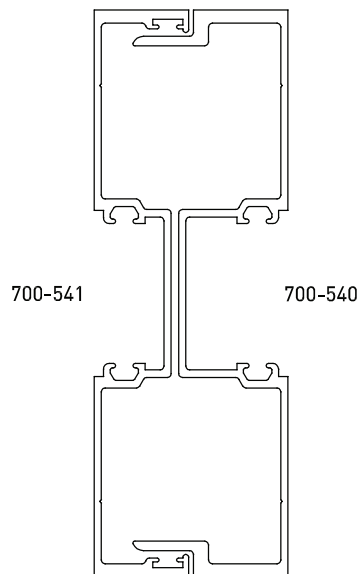
### Loading Tables

#### MULLION TYPE 2 - RESIDENTIAL (DOUBLE GLAZED FIXED WINDOW)

Panel Width	500	600	700	800	900	1000	1100	1200	1300	1400	1500
Frame Height											
3000	3.0kPa	3.0kPa	3.0kPa	3.0kPa	3.0kPa	3.0kPa	3.0kPa	3.0kPa	3.0kPa	3.0kPa	3.0kPa
3100	3.0kPa	3.0kPa	3.0kPa	3.0kPa	3.0kPa	3.0kPa	3.0kPa	3.0kPa	3.0kPa	2.2kPa	2.2kPa
3200	3.0kPa	3.0kPa	3.0kPa	3.0kPa	3.0kPa	3.0kPa	3.0kPa	3.0kPa	2.2kPa	2.2kPa	2.2kPa
3300	3.0kPa	3.0kPa	3.0kPa	3.0kPa	3.0kPa	3.0kPa	3.0kPa	2.2kPa	2.2kPa	2.2kPa	2.2kPa
3400	3.0kPa	3.0kPa	3.0kPa	3.0kPa	3.0kPa	2.2kPa	2.2kPa	2.2kPa	2.2kPa	2.2kPa	1.5kPa
3500	3.0kPa	3.0kPa	3.0kPa	3.0kPa	3.0kPa	2.2kPa	2.2kPa	2.2kPa	1.5kPa	1.5kPa	1.5kPa
3600	3.0kPa	3.0kPa	3.0kPa	3.0kPa	2.2kPa	2.2kPa	2.2kPa	1.5kPa	1.5kPa	1.5kPa	1.5kPa
3700	3.0kPa	3.0kPa	3.0kPa	2.2kPa	2.2kPa	2.2kPa	1.5kPa	1.5kPa	1.5kPa	1.5kPa	1.5kPa
3800	3.0kPa	3.0kPa	2.2kPa	2.2kPa	2.2kPa	1.5kPa	1.5kPa	1.5kPa	1.5kPa	1.5kPa	1.0kPa
3900	3.0kPa	3.0kPa	2.2kPa	2.2kPa	1.5kPa	1.5kPa	1.5kPa	1.5kPa	1.5kPa	1.0kPa	1.0kPa
4000	3.0kPa	2.2kPa	2.2kPa	2.2kPa	1.5kPa	1.5kPa	1.5kPa	1.5kPa	1.0kPa	1.0kPa	1.0kPa
4100	3.0kPa	2.2kPa	2.2kPa	1.5kPa	1.5kPa	1.5kPa	1.5kPa	1.0kPa	1.0kPa	1.0kPa	1.0kPa
4200	3.0kPa	2.2kPa	1.5kPa	1.5kPa	1.5kPa	1.5kPa	1.0kPa	1.0kPa	1.0kPa	1.0kPa	1.0kPa

#### MULLION TYPE 2 - COMMERCIAL (DOUBLE GLAZED FIXED WINDOW)

Panel Width	500	600	700	800	900	1000	1100	1200	1300	1400	1500
Frame Height											
3000	3.0kPa	3.0kPa	3.0kPa	3.0kPa	3.0kPa	3.0kPa	2.2kPa	2.2kPa	2.2kPa	2.2kPa	2.2kPa
3100	3.0kPa	3.0kPa	3.0kPa	3.0kPa	3.0kPa	2.2kPa	2.2kPa	2.2kPa	2.2kPa	1.5kPa	1.5kPa
3200	3.0kPa	3.0kPa	3.0kPa	3.0kPa	2.2kPa	2.2kPa	2.2kPa	2.2kPa	2.2kPa	1.5kPa	1.5kPa
3300	3.0kPa	3.0kPa	3.0kPa	2.2kPa	2.2kPa	2.2kPa	1.5kPa	1.5kPa	1.5kPa	1.5kPa	1.5kPa
3400	3.0kPa	3.0kPa	3.0kPa	2.2kPa	2.2kPa	1.5kPa	1.5kPa	1.5kPa	1.5kPa	1.5kPa	1.5kPa
3500	3.0kPa	3.0kPa	2.2kPa	2.2kPa	1.5kPa	1.5kPa	1.5kPa	1.5kPa	1.5kPa	1.0kPa	1.0kPa
3600	3.0kPa	2.2kPa	2.2kPa	2.2kPa	1.5kPa	1.5kPa	1.5kPa	1.5kPa	1.0kPa	1.0kPa	1.0kPa
3700	3.0kPa	2.2kPa	2.2kPa	1.5kPa	1.5kPa	1.5kPa	1.5kPa	1.0kPa	1.0kPa	1.0kPa	1.0kPa
3800	2.2kPa	2.2kPa	1.5kPa	1.5kPa	1.5kPa	1.5kPa	1.0kPa	1.0kPa	1.0kPa	1.0kPa	1.0kPa
3900	2.2kPa	2.2kPa	1.5kPa	1.5kPa	1.5kPa	1.0kPa	1.0kPa	1.0kPa	1.0kPa	1.0kPa	0.7kPa
4000	2.2kPa	1.5kPa	1.5kPa	1.5kPa	1.0kPa	1.0kPa	1.0kPa	1.0kPa	1.0kPa	0.7kPa	0.7kPa
4100	2.2kPa	1.5kPa	1.5kPa	1.0kPa	1.0kPa	1.0kPa	1.0kPa	1.0kPa	0.7kPa	0.7kPa	0.7kPa
4200	1.5kPa	1.5kPa	1.5kPa	1.0kPa	1.0kPa	1.0kPa	1.0kPa	0.7kPa	0.7kPa	0.7kPa	0.7kPa



$I \times x 3507.0 \times 10^3 \text{ mm}^4$

Double Glazed 150mm  
MULLION TYPE 2