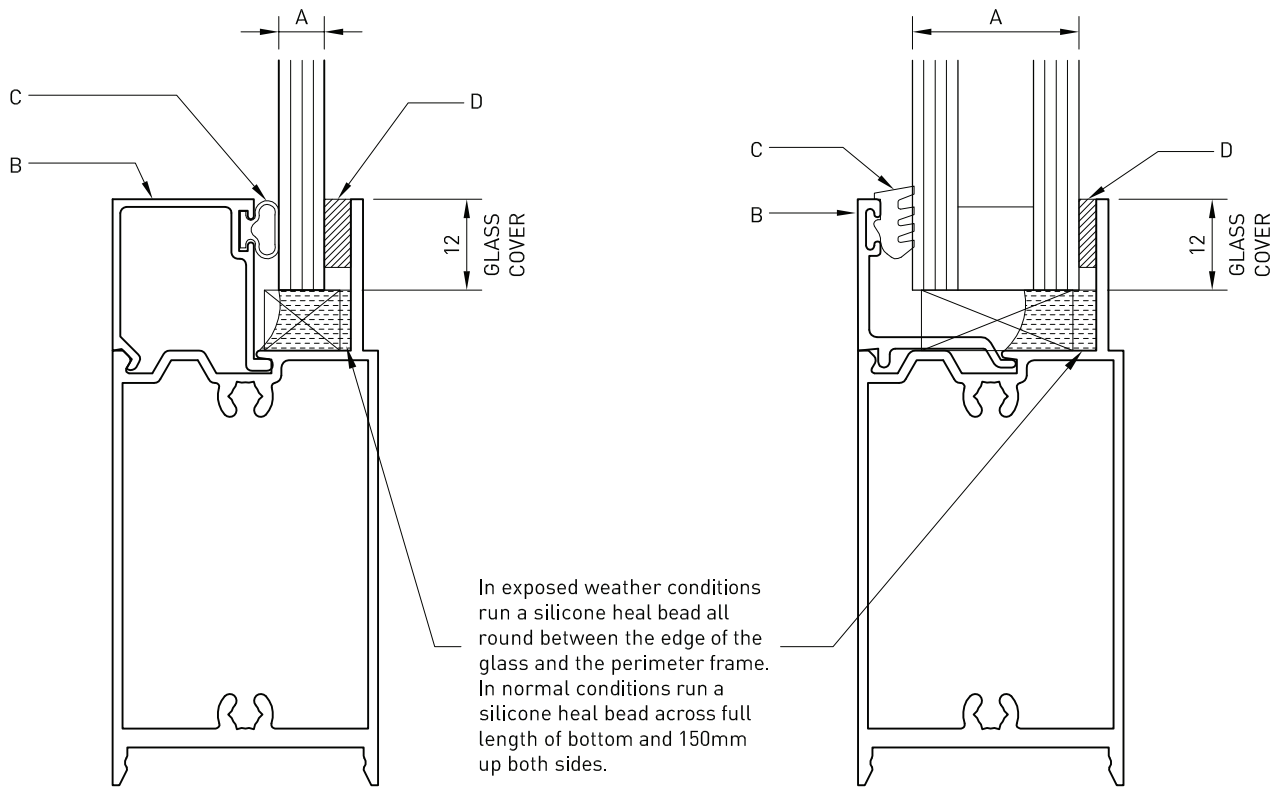


Glazing Details



A (Glass Thickness)	B (Bead)	C (Glazing Wedge)	D (Glazing Tape)
4mm	400-653	02-082	4.8x9mm
5mm	400-653	02-082	4.8x9mm
6mm/6.38mm	400-653	02-082	3.2x9mm
8mm	400-654	02-082	4.8x9mm
10mm	400-654	02-082	3.2x9mm
18mm	400-447	04-118	1.6x9mm
22mm	400-405	04-108	1.6x9mm

Lay door sash face down with bead facing up. Check and ensure frame is square. Run glazing tape around the full perimeter of glazing leg. Position glass ensuring alignment to provide equal cover on all sides. Apply silicone seal bead all round. Clip horizontal glazing beads in first then the vertical beads. Leave door panel laying flat with beads up to allow silicone a minimum 12 hours curing time before moving.

Notes: Notch beads where required to clear glazing blocks. For glazing tape and wedge selection, refer to the table above.